

# FE2owlet

for single phase alternating current, 8 pole

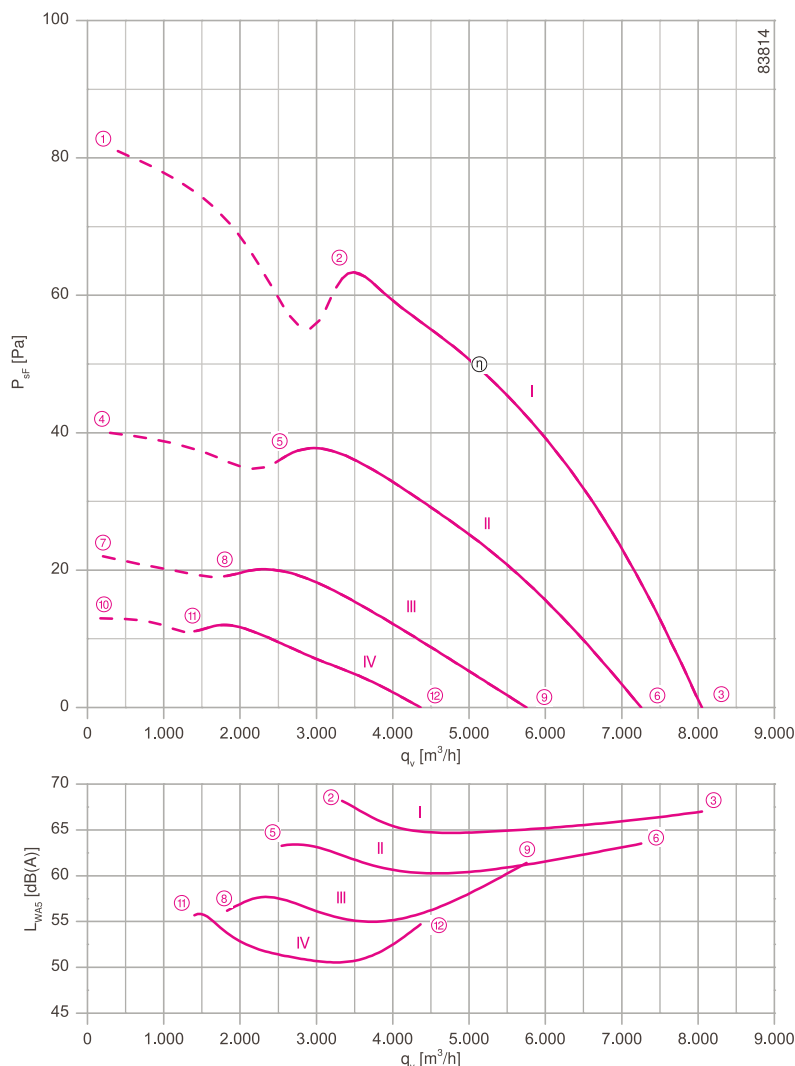
FN063-8E



## Description

Motor technology: AC  
 Rated voltage  $U_N$ : 1~ 230 V $\pm$ 10 %\*  
 Rated frequency  $f_N$ : 50 Hz\* (60Hz data available)  
 Motor input power  $P_1$ : 0.33 kW\*  
 Rated current  $I_N$ : 1.60 A\*  
 Rated speed  $n_N$ : 630 min<sup>-1</sup>\*  
 Starting current  $I_s$ : 2.40 A  
 Current increase  $\Delta I$ : 0 %  
 Service capacitor  $C_{400V}$ : 8.0  $\mu$ F  
 Thermal class: **THCL155**\*  
 Min. permitted conveyor temperature  $t_{R(min)}$ : -25 °C  
 Max. permitted conveyor temperature  $t_{R(max)}$ : 65 °C  
 Electrical connection: Terminal box  
 Number of blades: 7  
 Protection class: IP54  
 Motor protection: Thermal contact  
 Blades: Aluminium, uncoated  
 Rotor: Aluminium, uncoated  
 \* Rated data

## Characteristic curve



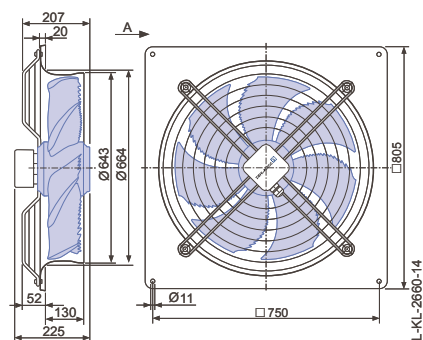
Measured in full bell mouth without guard grille in installation type A according to ISO 5801.

- Connection diagrams Page 608
  - for airflow direction V 1360-104XA
  - for airflow direction A 1360-104XB
- System components Page 524

## Dimensions [mm]

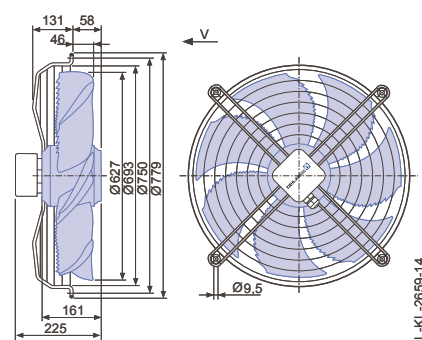
Airflow direction A

Design Q - square, full bell mouth



Airflow direction V

Design K - axial bolted, mounted for short bell mouth E



Performance data

Type	Characteristic curve	Voltage	Operating point	Current	Motor input power	Speed	Suction side sound power level
		U [V]		I [A]	P <sub>1</sub> [W]	n [min <sup>-1</sup> ]	
FN063-8E_.4I_.7P1	I	230	①	1.80	370	560	
		230*	②	1.60*	330*	630*	68
		230	③	1.35	270	680	67
	II	170	④	1.50	230	390	
		170	⑤	1.40	220	490	63
		170	⑥	1.20	190	620	64
	III	135	⑦	1.25	140	290	
		135	⑧	1.20	140	370	56
		135	⑨	1.10	140	490	61
	IV	110	⑩	1.00	95	230	
		110	⑪	1.00	95	290	55
		110	⑫	0.98	95	370	55

\*rated data

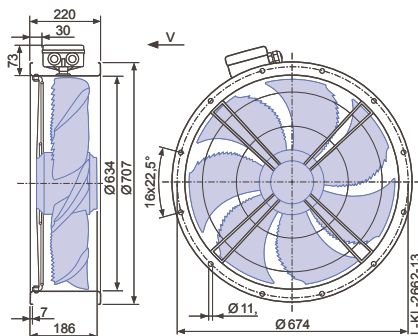
Fan ordering information

Airflow direction A		Airflow direction V			
Design	Q	K	F (without contact protection)	F (with contact protection)	Q
Type	FN063-8EQ.4I.A7P1	FN063-8EK.4I.V7P1	FN063-8EF.4I.V7P1	FN063-8EF.4I.V7P1	FN063-8EQ.4I.V7P1
Article no.	141730	141732	141734	141735	141733
Weight [kg]	24.50	15.40	19.90	20.80	23.90

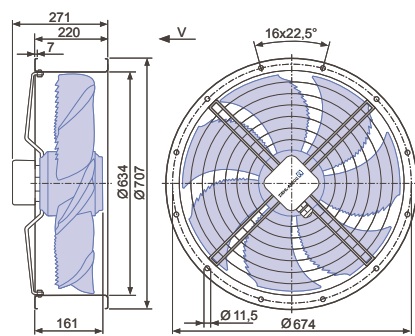
Control technology

<p>Frequency inverter Fcontrol 1~</p> <p>▶ Page 552</p>	<p>Motor protection units 1~</p> <p>▶ Page 596</p>	<p>Transformer-based controllers 1~</p> <p>▶ Page 587</p>	<p>Electronic voltage controllers 1~</p> <p>▶ Page 562</p>
---	--	---	--

Design F - flange ring with two flanges without guard grille



Design F - flange ring with two flanges and guard grille



Design Q - square, full bell mouth

