

Performance data

Type	Connection	Characteristic curve	Voltage	Operating point	Current	Motor input power	Speed	Suction side sound power level L_{WAS} [dB]
			U [V]		I [A]	P_1 [W]	n [min ⁻¹]	
FN045-SD_4F_7P1	Δ	I	400	①	0.56	220	860	64
			400*	②	0.50*	180*	900*	
			400	③	0.46	150	920	
	Y	II	400	④	0.27	110	550	59
			400*	⑤	0.24*	100*	690*	
			400	⑥	0.24	95	710	

*rated data

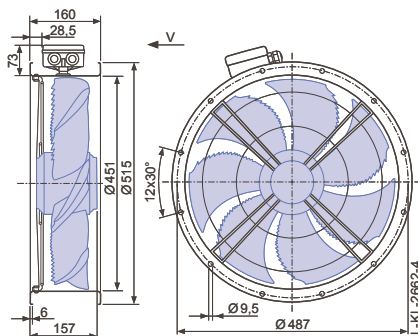
Fan ordering information

Airflow direction A		Airflow direction V				
Design	D	Q	K	F (without contact protection)	F (with contact protection)	Q
Type	FN045-SDD.4F.A7P1	FN045-SDQ.4F.A7P1	FN045-SDK.4F.V7P1	FN045-SDF.4F.V7P1	FN045-SDF.4F.V7P1	FN045-SDQ.4F.V7P1
Article no.	155139	140108	140112	140120	140540	140116
Weight [kg]	10.70	14.60	11.00	14.20	14.50	14.40

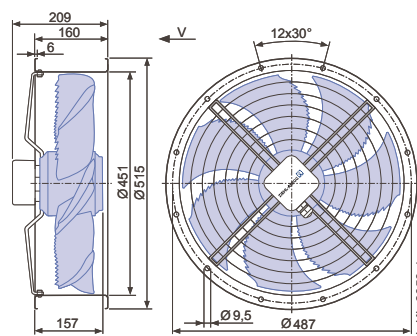
Control technology

<p>Frequency inverter Fcontrol 3~</p> <p>➤ Page 558</p>	<p>Motor protection units 3~</p> <p>➤ Page 596</p>	<p>Transformer-based controllers 3~</p> <p>➤ Page 591</p>	<p>Electronic voltage controllers 3~</p> <p>➤ Page 578</p>
---	--	---	--

Design F - flange ring with two flanges without guard grille



Design F - flange ring with two flanges and guard grille



Design Q - square, full bell mouth

