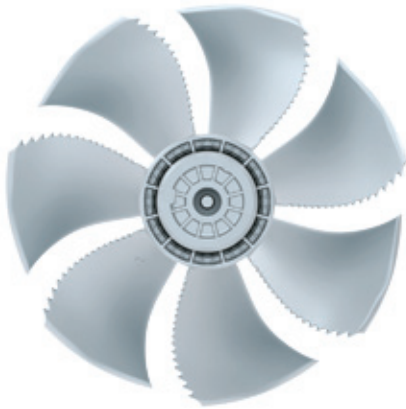


# FE2owlet

for single phase alternating current, 4 pole

FNO45-4E



## Description

Motor technology: AC  
 Rated voltage  $U_N$ : 1~ 230 V $\pm$ 10 %\*  
 Rated frequency  $f_N$ : 50 Hz\* (60Hz data available)  
 Motor input power  $P_1$ : 0.56 kW\*  
 Rated current  $I_N$ : 2.50 A\*  
 Rated speed  $n_N$ : 1320 min<sup>-1</sup>\*  
 Starting current  $I_s$ : 6.50 A  
 Current increase  $\Delta I$ : 5 %  
 Service capacitor  $C_{400V}$ : 14.0  $\mu$ F  
 Thermal class: **THCL155\***  
 Min. permitted conveyor temperature  $t_{R(min)}$ : -25 °C  
 Max. permitted conveyor temperature  $t_{R(max)}$ : 70 °C  
 Electrical connection: Terminal box  
 Number of blades: 7  
 Protection class: IP54  
 Motor protection: Thermal contact  
 Blades: Aluminium, uncoated  
 Rotor: Aluminium, uncoated  
 Conformity: ErP 2013, CE

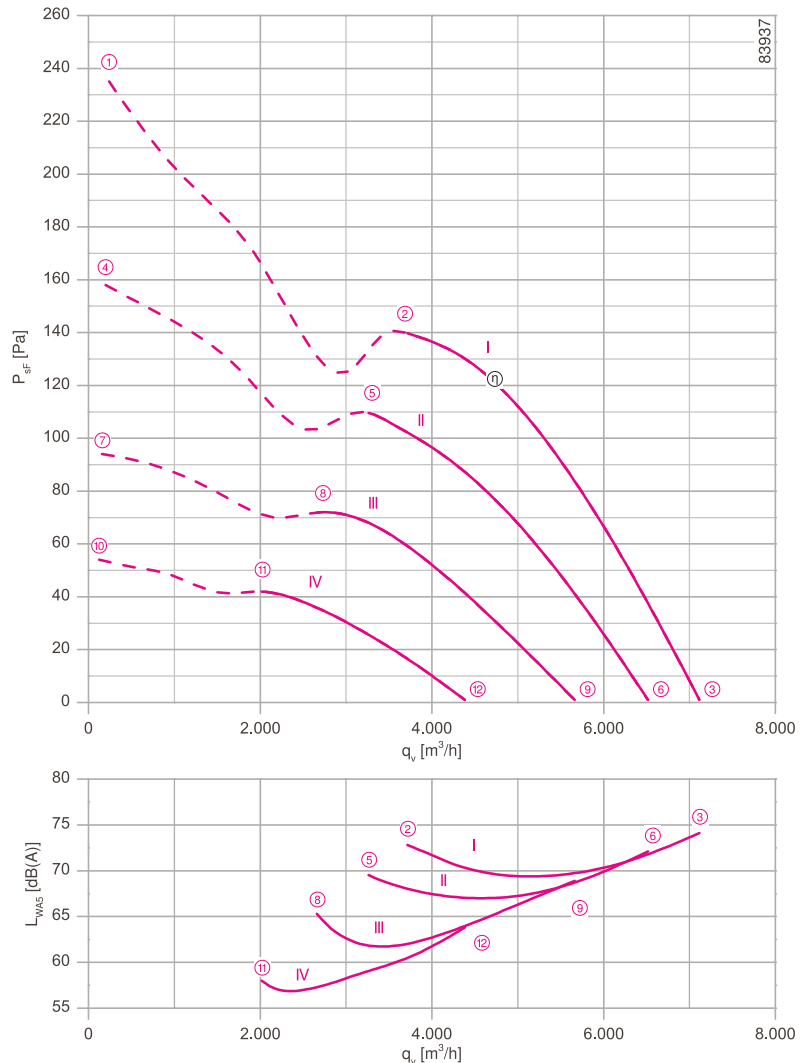
## ErP Data

Efficiency  $\eta_{statA}$ : 30.1 %  
 Efficiency:  $N_{actual} = 38.1 / N_{target} = 36^{**}$   
 \* Rated data  
 \*\*ErP 2013

➤ Connection diagrams Page 608  
 for airflow direction V 1360-104XA  
 for airflow direction A 1360-104XB

➤ System components Page 524

## Characteristic curve

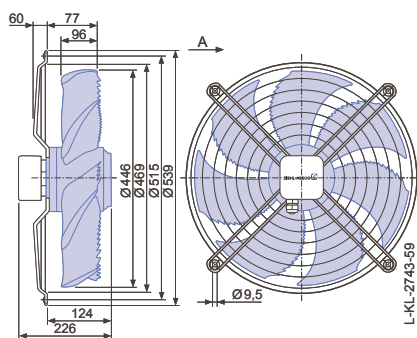


Measured in full bell mouth without guard grille in installation type A according to ISO 5801.

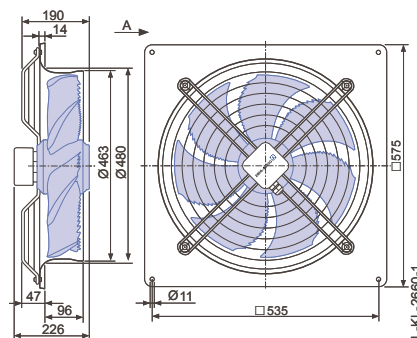
## Dimensions [mm]

Airflow direction A

Design W - axial bolted, mounting for short bell mouth E

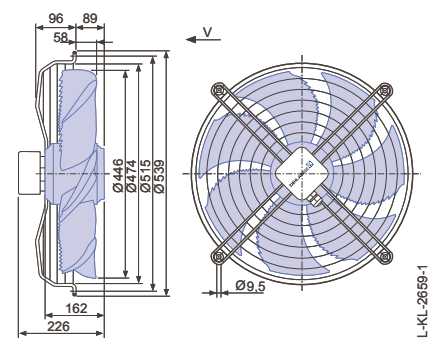


Design Q - square, full bell mouth



Airflow direction V

Design K - axial bolted, mounted for short bell mouth E



Performance data

Type	Characteristic curve	Voltage	Operating point	Current	Motor input power	Speed	Suction side sound power level
		U [V]		I [A]	P <sub>1</sub> [W]	n [min <sup>-1</sup> ]	
FN045-4E_.4I_.7P1	I	230	①	2.90	660	1260	
		230*	②	2.50*	560*	1320*	73
		230	③	2.20	480	1360	74
	II	170	④	3.00	500	1040	
		170	⑤	2.60	440	1170	70
		170	⑥	2.30	380	1250	72
	III	135	⑦	2.90	360	800	
		135	⑧	2.60	340	960	65
		135	⑨	2.40	310	1090	69
	IV	110	⑩	2.50	250	600	
		110	⑪	2.40	240	720	58
		110	⑫	2.20	230	850	64

\*rated data

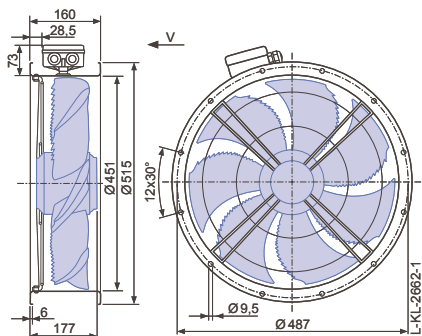
Fan ordering information

Design	Airflow direction A			Airflow direction V		
	W	Q	K	F (without contact protection)	F (with contact protection)	Q
Type	FN045-4EW.4I.A7P1	FN045-4EQ.4I.A7P1	FN045-4EK.4I.V7P1	FN045-4EF.4I.V7P1	FN045-4EF.4I.V7P1	FN045-4EQ.4I.V7P1
Article no.	155525	140107	140111	140119	140539	140115
Weight [kg]	12.60	16.20	12.60	15.70	16.10	16.00

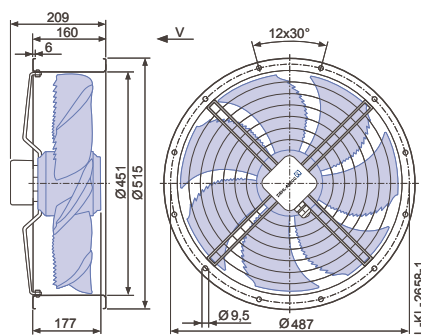
Control technology

<p>Frequency inverter Fcontrol 1~</p> <p>Page 552</p>	<p>Motor protection units 1~</p> <p>Page 596</p>	<p>Transformer-based controllers 1~</p> <p>Page 587</p>	<p>Electronic voltage controllers 1~</p> <p>Page 562</p>
---	--	---	--

Design F - flange ring with two flanges without guard grille



Design F - flange ring with two flanges and guard grille



Design Q - square, full bell mouth

