



Одноконтурные паяные пластинчатые теплообменники WTK  
**(P7 - конденсаторы)**



DATA	15.02.2019
CUSTOMER	
REFERENCE	

<b>Condenser model</b>		<b>P7-10 S-F</b>	
Number of circuits		1	1
Requested capacity	kW	4,90	
Margin	%	0	
PED category		---	

<b>INPUT DATA</b>		<b>PRIMARY SIDE</b>	<b>SECONDARY SIDE</b>
<b>Refrigerant</b>		R407C	
Condensing Temperature	°C	40 (Dew)	
Condensing Pressure	bar A	15,413	
Subcooling	K	5	
Pressure drop	kPa	2	
<b>Fluid</b>			WATER
Inlet Temperature	°C		30
Outlet Temperature	°C		35
Flow rate	m <sup>3</sup> /h		0,85
Pressure drop	kPa		12,8
Fouling factor	(m <sup>2</sup> K)/W		0,000043
Velocity (Inside)	m/s	---	0,19
Exchange coefficient	W/(m <sup>2</sup> K)	1252	7925
DTML	°C		7,21

**WARNING**

No warnings

**DIMENSIONS**

Surface	m <sup>2</sup>	0,7000	
Weight	kg	4	
Channel volume	dm <sup>3</sup>	0,5	0,6
Height	mm	526	
Width	mm	120	
Depth	mm	29,4	
Connections		ODS 35/ODS 35	1.1/4" G/1.1/4" G

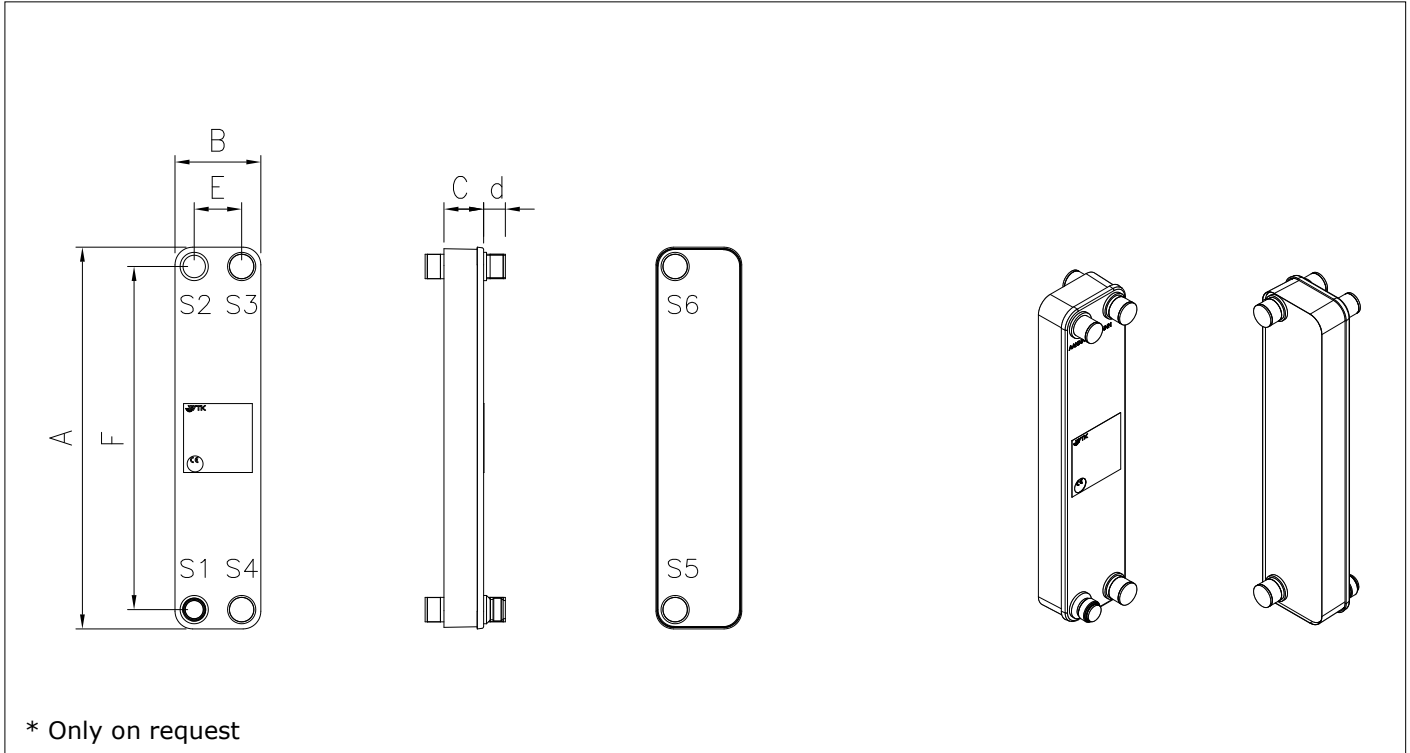
**OFFER**

Unit net price	Euro	
----------------	------	--

**NOTES**

--

DATA	15.02.2019
CUSTOMER	
REFERENCE	

**DRAWING**

**DIMENSIONS (mm)**
**DATA**

DIMENSIONS (mm)	DATA
A	526
B	120
C	29,4
E	66
F	473
L	--
d	27
S1	ODS 22
S2	ODS 35
S3	1.1/4" G
S4	1.1/4" G
S5*	1.1/4" G
S6*	1.1/4" G
S7	--
S8	--
Surface	m?
Weight	kg
	0,7000
	4

This software is only to be used as an assistance and does not replace the necessary specialist knowledge and experience when designing heat exchangers. We continuously work in order to improve and correct the software. Nevertheless we cannot guarantee its absolute infallibility. Therefore the use of the program is at the user's risk.

DATA	15.02.2019
CUSTOMER	
REFERENCE	

<b>Condenser model</b>		<b>P7-14 S-F</b>	
Number of circuits		1	1
Requested capacity	kW	7,16	
Margin	%	0	
PED category		---	

<b>INPUT DATA</b>		<b>PRIMARY SIDE</b>	<b>SECONDARY SIDE</b>
<b>Refrigerant</b>		R407C	
Condensing Temperature	°C	40 (Dew)	
Condensing Pressure	bar A	15,413	
Subcooling	K	5	
Pressure drop	kPa	1	
<b>Fluid</b>			WATER
Inlet Temperature	°C		30
Outlet Temperature	°C		35
Flow rate	m <sup>3</sup> /h		1,24
Pressure drop	kPa		13,9
Fouling factor	(m <sup>2</sup> K)/W		0,000043
Velocity (Inside)	m/s	---	0,20
Exchange coefficient	W/(m <sup>2</sup> K)	1319	8156
DTML	°C		7,21

**WARNING**

No warnings

**DIMENSIONS**

Surface	m <sup>2</sup>	0,98	
Weight	kg	5	
Channel volume	dm <sup>3</sup>	0,7	0,8
Height	mm	526	
Width	mm	120	
Depth	mm	39	
Connections		ODS 35/ODS 35	1.1/4" G/1.1/4" G

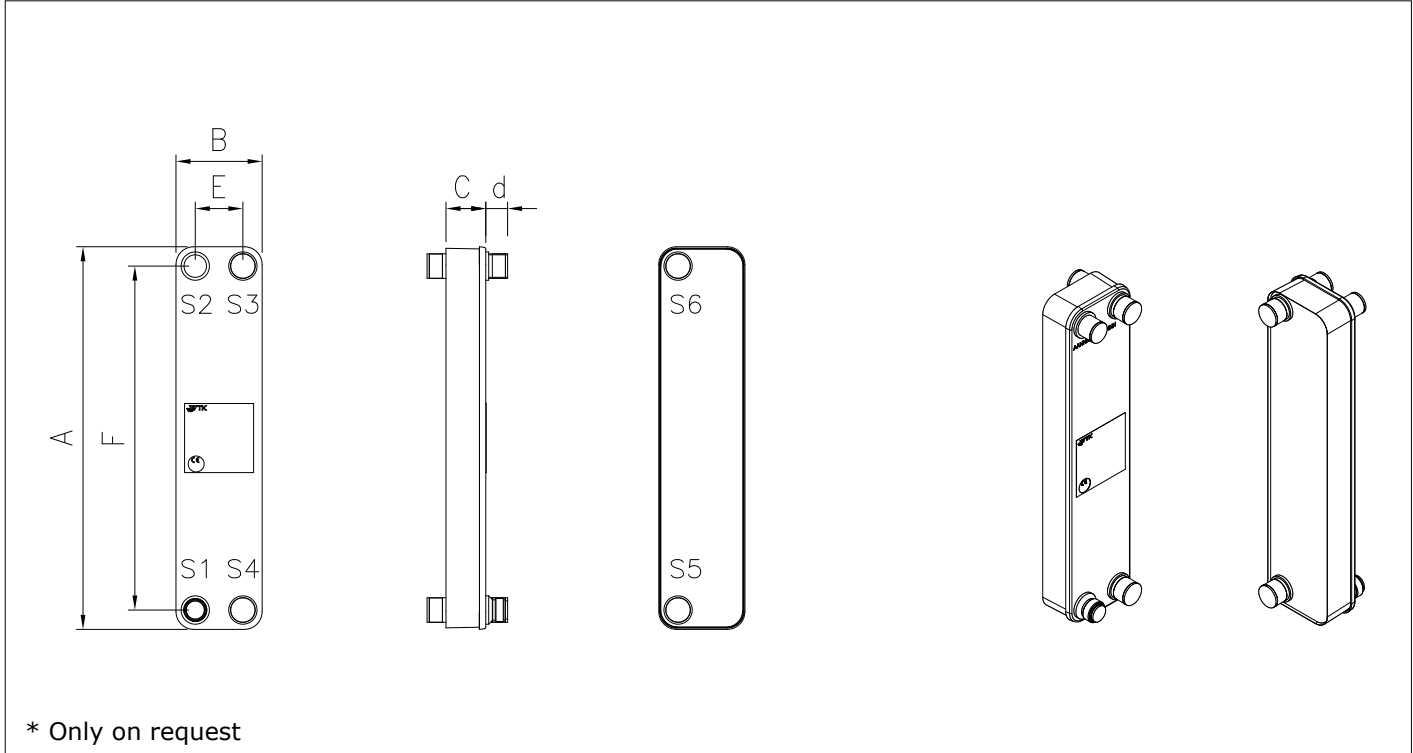
**OFFER**

Unit net price	Euro	
----------------	------	--

**NOTES**

--

DATA	15.02.2019
CUSTOMER	
REFERENCE	

**DRAWING**

**DIMENSIONS (mm)**
**DATA**

DIMENSIONS (mm)	DATA
A	526
B	120
C	39
E	66
F	473
G	--
d	27
S1	ODS 22
S2	ODS 35
S3	1.1/4" G
S4	1.1/4" G
S5*	1.1/4" G
S6*	1.1/4" G
S7	--
S8	--
Surface	m?
Weight	kg
	0,98
	5

This software is only to be used as an assistance and does not replace the necessary specialist knowledge and experience when designing heat exchangers. We continuously work in order to improve and correct the software. Nevertheless we cannot guarantee its absolute infallibility. Therefore the use of the program is at the user's risk.

DATA	15.02.2019
CUSTOMER	
REFERENCE	

<b>Condenser model</b>		<b>P7-20 S-F</b>	
Number of circuits		1	1
Requested capacity	kW	10,83	
Margin	%	0	
PED category		---	

<b>INPUT DATA</b>		<b>PRIMARY SIDE</b>	<b>SECONDARY SIDE</b>
<b>Refrigerant</b>		R407C	
Condensing Temperature	°C	40 (Dew)	
Condensing Pressure	bar A	15,413	
Subcooling	K	5	
Pressure drop	kPa	2	
<b>Fluid</b>			WATER
Inlet Temperature	°C		30
Outlet Temperature	°C		35
Flow rate	m <sup>3</sup> /h		1,87
Pressure drop	kPa		15,6
Fouling factor	(m <sup>2</sup> K)/W		0,000043
Velocity (Inside)	m/s	---	0,21
Exchange coefficient	W/(m <sup>2</sup> K)	1399	8467
DTML	°C		7,21

**WARNING**

No warnings
-------------

**DIMENSIONS**

Surface	m <sup>2</sup>	1,400	
Weight	kg	6	
Channel volume	dm <sup>3</sup>	1,1	1,2
Height	mm	526	
Width	mm	120	
Depth	mm	53,4	
Connections		ODS 35/ODS 35	1.1/4" G/1.1/4" G

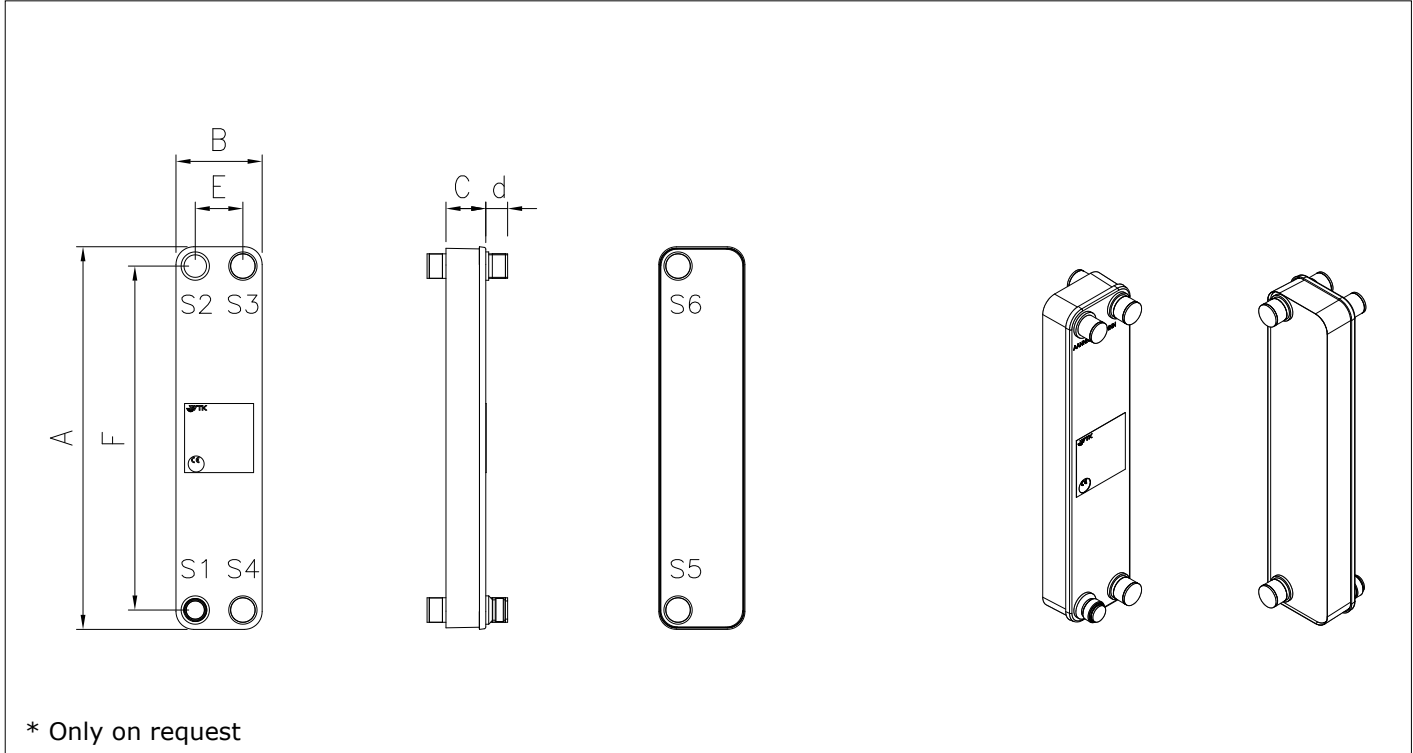
**OFFER**

Unit net price	Euro	
----------------	------	--

**NOTES**

--

DATA	15.02.2019
CUSTOMER	
REFERENCE	

**DRAWING**

**DIMENSIONS (mm)**
**DATA**

A	526	S1	ODS 22	Surface	m?	1,400
B	120	S2	ODS 35	Weight	kg	6
C	53,4	S3	1.1/4" G			
E	66	S4	1.1/4" G			
F	473	S5*	1.1/4" G			
G	--	S6*	1.1/4" G			
d	27	S7	--			
		S8	--			

This software is only to be used as an assistance and does not replace the necessary specialist knowledge and experience when designing heat exchangers. We continuously work in order to improve and correct the software. Nevertheless we cannot guarantee its absolute infallibility. Therefore the use of the program is at the user's risk.

DATA	15.02.2019
CUSTOMER	
REFERENCE	

<b>Condenser model</b>		<b>P7-30 S-F</b>	
Number of circuits		1	1
Requested capacity	kW	16,32	
Margin	%	0	
PED category		---	

<b>INPUT DATA</b>		<b>PRIMARY SIDE</b>	<b>SECONDARY SIDE</b>
<b>Refrigerant</b>		R407C	
Condensing Temperature	°C	40 (Dew)	
Condensing Pressure	bar A	15,413	
Subcooling	K	5	
Pressure drop	kPa	1	
<b>Fluid</b>			WATER
Inlet Temperature	°C		30
Outlet Temperature	°C		35
Flow rate	m <sup>3</sup> /h		2,83
Pressure drop	kPa		16,1
Fouling factor	(m <sup>2</sup> K)/W		0,000043
Velocity (Inside)	m/s	---	0,21
Exchange coefficient	W/(m <sup>2</sup> K)	1414	8495
DTML	°C		7,21

**WARNING**

No warnings

**DIMENSIONS**

Surface	m <sup>2</sup>	2,100	
Weight	kg	8	
Channel volume	dm <sup>3</sup>	1,7	1,8
Height	mm	526	
Width	mm	120	
Depth	mm	77,4	
Connections		ODS 35/ODS 35	1.1/4" G/1.1/4" G

**OFFER**

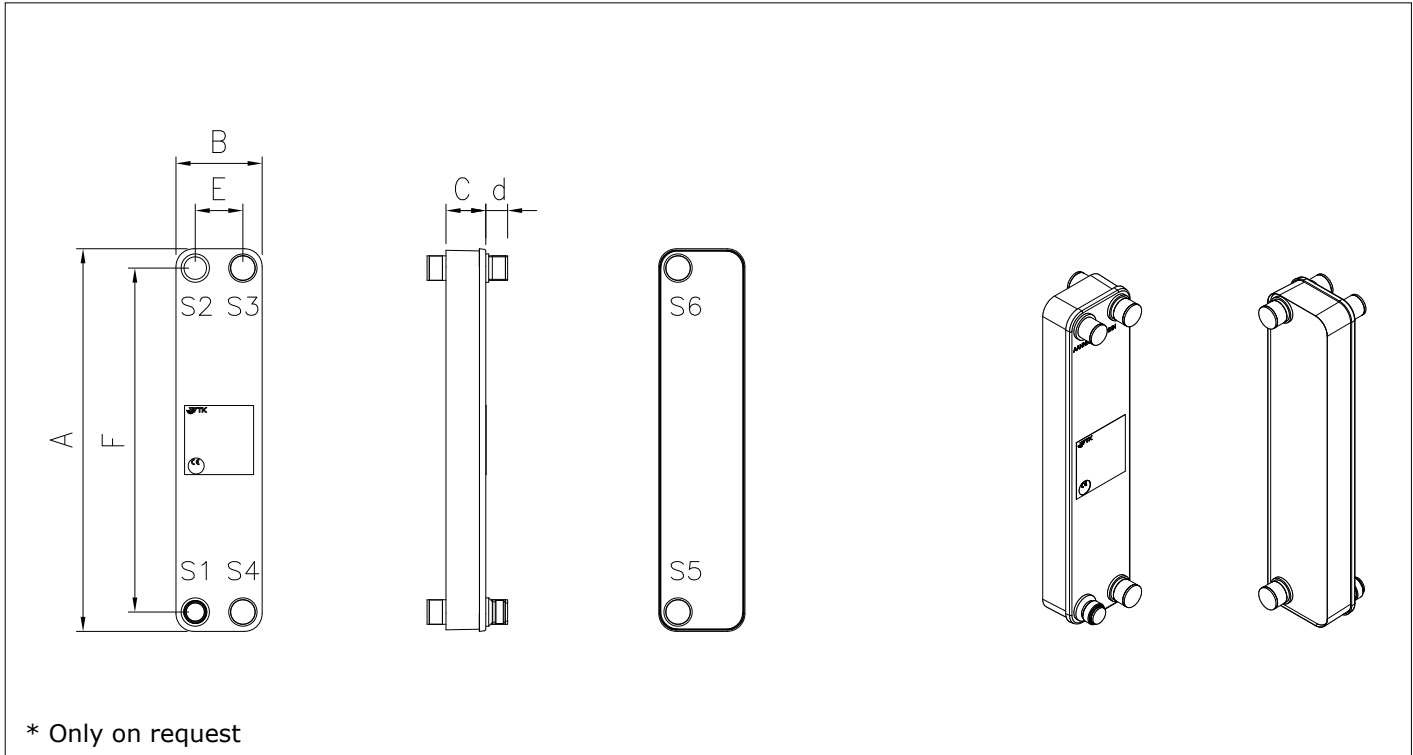
Unit net price	Euro	
----------------	------	--

**NOTES**

--



DATA	15.02.2019
CUSTOMER	
REFERENCE	

**DRAWING**

**DIMENSIONS (mm)**
**DATA**

A	526	S1	ODS 22	Surface	m?	2,100
B	120	S2	ODS 35	Weight	kg	8
C	77,4	S3	1.1/4" G			
E	66	S4	1.1/4" G			
F	473	S5*	1.1/4" G			
G	--	S6*	1.1/4" G			
d	27	S7	--			
		S8	--			

This software is only to be used as an assistance and does not replace the necessary specialist knowledge and experience when designing heat exchangers. We continuously work in order to improve and correct the software. Nevertheless we cannot guarantee its absolute infallibility. Therefore the use of the program is at the user's risk.

DATA	15.02.2019
CUSTOMER	
REFERENCE	

<b>Condenser model</b>		<b>P7-34 S-F</b>	
Number of circuits		1	1
Requested capacity	kW	18,51	
Margin	%	0	
PED category		---	

<b>INPUT DATA</b>		<b>PRIMARY SIDE</b>	<b>SECONDARY SIDE</b>
<b>Refrigerant</b>		R407C	
Condensing Temperature	°C	40 (Dew)	
Condensing Pressure	bar A	15,413	
Subcooling	K	5	
Pressure drop	kPa	2	
<b>Fluid</b>			WATER
Inlet Temperature	°C		30
Outlet Temperature	°C		35
Flow rate	m <sup>3</sup> /h		3,21
Pressure drop	kPa		16,3
Fouling factor	(m <sup>2</sup> K)/W		0,000043
Velocity (Inside)	m/s	---	0,21
Exchange coefficient	W/(m <sup>2</sup> K)	1418	8500
DTML	°C		7,21

**WARNING**

No warnings
-------------

**DIMENSIONS**

Surface	m <sup>2</sup>	2,38	
Weight	kg	9	
Channel volume	dm <sup>3</sup>	1,9	2
Height	mm	526	
Width	mm	120	
Depth	mm	87	
Connections		ODS 35/ODS 35	1.1/4" G/1.1/4" G

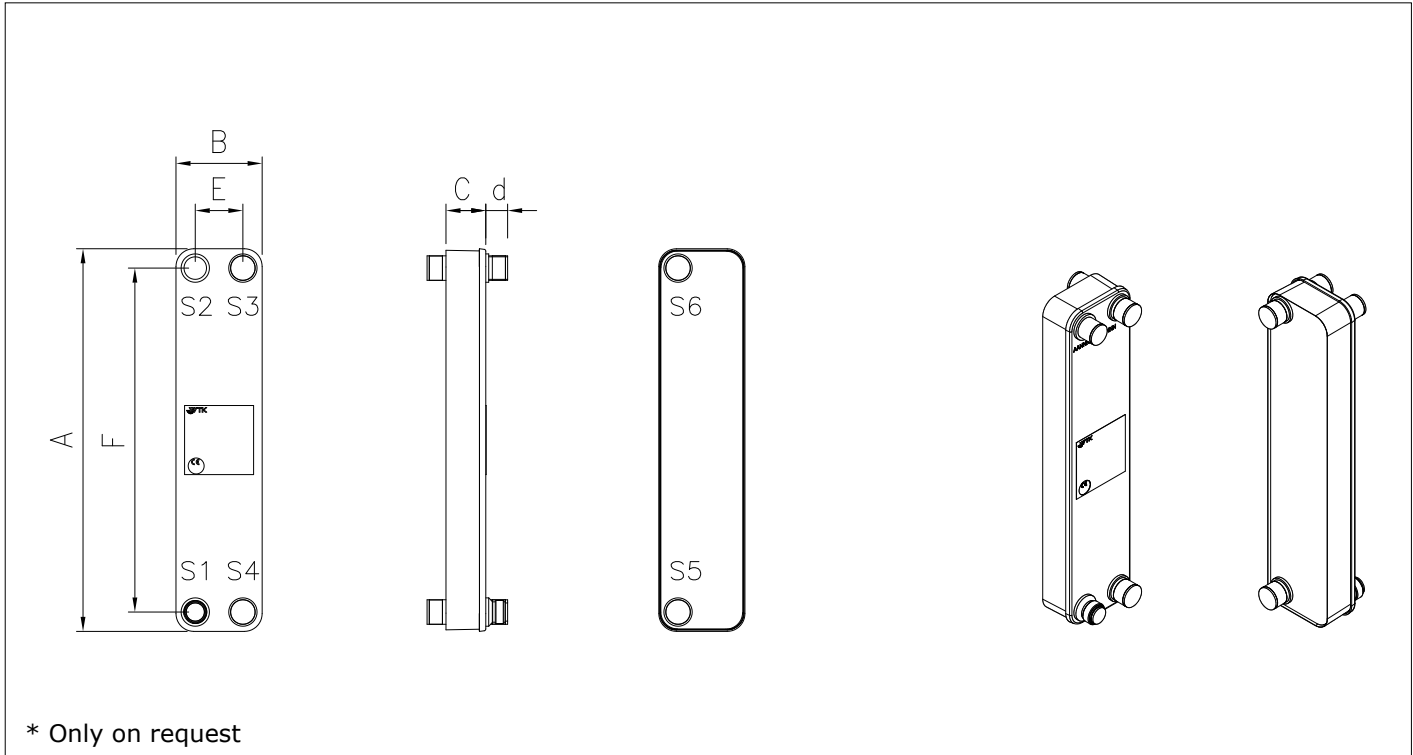
**OFFER**

Unit net price	Euro	
----------------	------	--

**NOTES**

--

DATA	15.02.2019
CUSTOMER	
REFERENCE	

**DRAWING**

**DIMENSIONS (mm)**
**DATA**

Dimension	Value	Port	Specification	Material	Unit	Value
A	526	S1	ODS 22	Surface	m?	2,38
B	120	S2	ODS 35	Weight	kg	9
C	87	S3	1.1/4" G			
E	66	S4	1.1/4" G			
F	473	S5*	1.1/4" G			
G	--	S6*	1.1/4" G			
d	27	S7	--			
		S8	--			

This software is only to be used as an assistance and does not replace the necessary specialist knowledge and experience when designing heat exchangers. We continuously work in order to improve and correct the software. Nevertheless we cannot guarantee its absolute infallibility. Therefore the use of the program is at the user's risk.

DATA	15.02.2019
CUSTOMER	
REFERENCE	

<b>Condenser model</b>		<b>P7-40 S-F</b>	
Number of circuits		1	1
Requested capacity	kW	21,81	
Margin	%	0	
PED category		---	

<b>INPUT DATA</b>		<b>PRIMARY SIDE</b>	<b>SECONDARY SIDE</b>
<b>Refrigerant</b>		R407C	
Condensing Temperature	°C	40 (Dew)	
Condensing Pressure	bar A	15,413	
Subcooling	K	5	
Pressure drop	kPa	2	
<b>Fluid</b>			WATER
Inlet Temperature	°C		30
Outlet Temperature	°C		35
Flow rate	m <sup>3</sup> /h		3,78
Pressure drop	kPa		16,7
Fouling factor	(m <sup>2</sup> K)/W		0,000043
Velocity (Inside)	m/s	---	0,21
Exchange coefficient	W/(m <sup>2</sup> K)	1421	8510
DTML	°C		7,21

**WARNING**

No warnings
-------------

**DIMENSIONS**

Surface	m <sup>2</sup>	2,800	
Weight	kg	10	
Channel volume	dm <sup>3</sup>	2,3	2,4
Height	mm	526	
Width	mm	120	
Depth	mm	101,4	
Connections		ODS 35/ODS 35	1.1/4" G/1.1/4" G

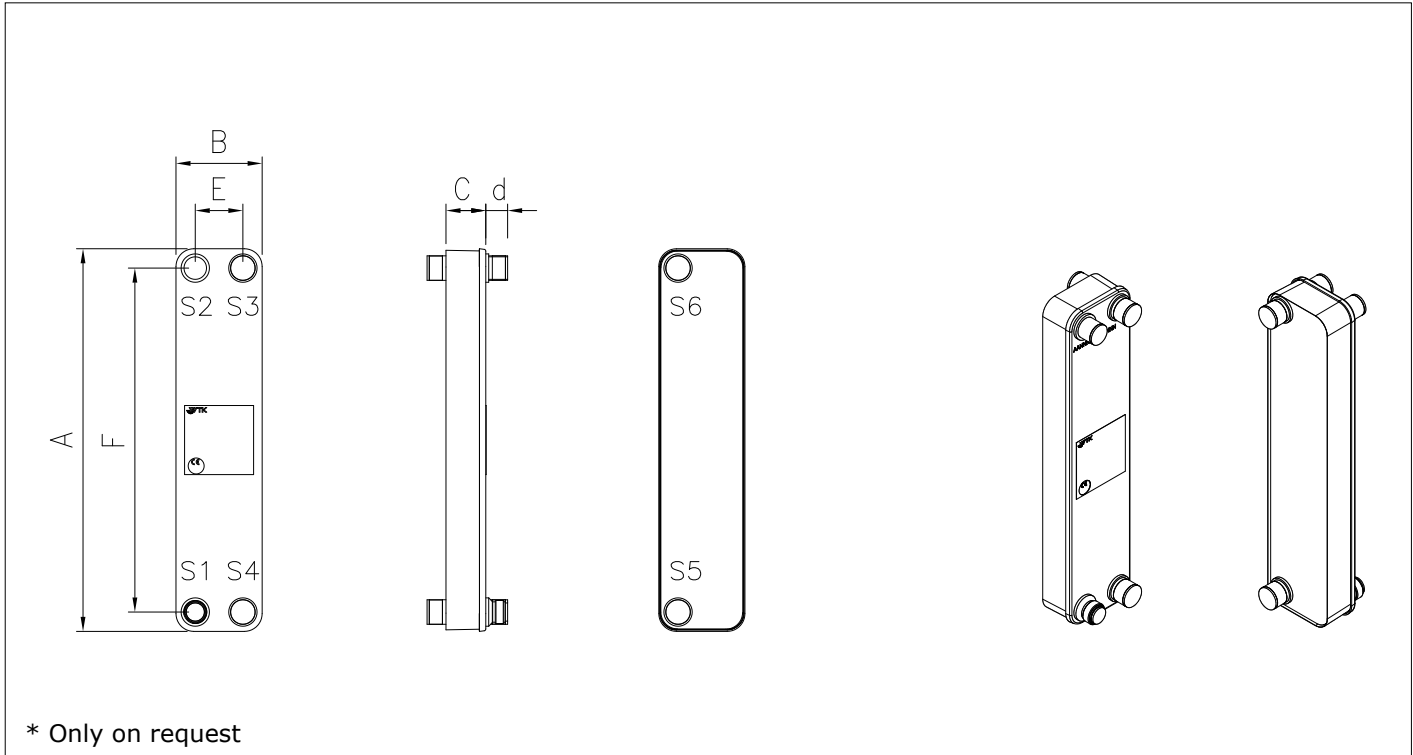
**OFFER**

Unit net price	Euro	
----------------	------	--

**NOTES**

--

DATA	15.02.2019
CUSTOMER	
REFERENCE	

**DRAWING**

**DIMENSIONS (mm)**
**DATA**

A	526	S1	ODS 22	Surface	m?	2,800
B	120	S2	ODS 35	Weight	kg	10
C	101,4	S3	1.1/4" G			
E	66	S4	1.1/4" G			
F	473	S5*	1.1/4" G			
G	--	S6*	1.1/4" G			
d	27	S7	--			
		S8	--			

This software is only to be used as an assistance and does not replace the necessary specialist knowledge and experience when designing heat exchangers. We continuously work in order to improve and correct the software. Nevertheless we cannot guarantee its absolute infallibility. Therefore the use of the program is at the user's risk.

DATA	15.02.2019
CUSTOMER	
REFERENCE	

<b>Condenser model</b>		<b>P7-46 S-F</b>	
Number of circuits		1	1
Requested capacity	kW	25,09	
Margin	%	0	
PED category		---	

<b>INPUT DATA</b>		<b>PRIMARY SIDE</b>	<b>SECONDARY SIDE</b>
<b>Refrigerant</b>		R407C	
Condensing Temperature	°C	40 (Dew)	
Condensing Pressure	bar A	15,413	
Subcooling	K	5	
Pressure drop	kPa	2	
<b>Fluid</b>			WATER
Inlet Temperature	°C		30
Outlet Temperature	°C		35
Flow rate	m <sup>3</sup> /h		4,35
Pressure drop	kPa		17,1
Fouling factor	(m <sup>2</sup> K)/W		0,000043
Velocity (Inside)	m/s	---	0,21
Exchange coefficient	W/(m <sup>2</sup> K)	1424	8512
DTML	°C		7,21

**WARNING**

No warnings

**DIMENSIONS**

Surface	m <sup>2</sup>	3,22	
Weight	kg	12	
Channel volume	dm <sup>3</sup>	2,6	2,8
Height	mm	526	
Width	mm	120	
Depth	mm	115,8	
Connections		ODS 35/ODS 35	1.1/4" G/1.1/4" G

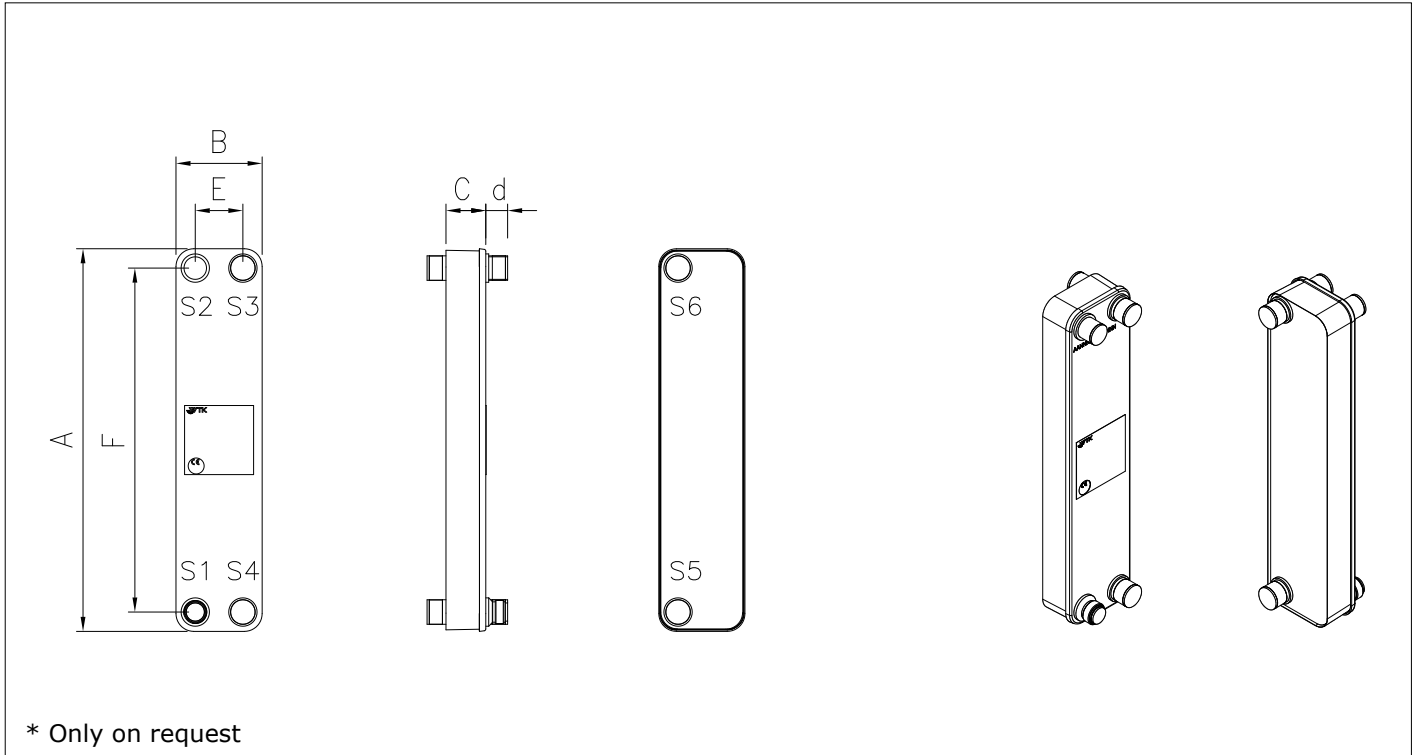
**OFFER**

Unit net price	Euro	
----------------	------	--

**NOTES**

--

DATA	15.02.2019
CUSTOMER	
REFERENCE	

**DRAWING**

**DIMENSIONS (mm)**
**DATA**

A	526	S1	ODS 22	Surface	m?	3,22
B	120	S2	ODS 35	Weight	kg	12
C	115,8	S3	1.1/4" G			
E	66	S4	1.1/4" G			
F	473	S5*	1.1/4" G			
G	--	S6*	1.1/4" G			
d	27	S7	--			
		S8	--			

This software is only to be used as an assistance and does not replace the necessary specialist knowledge and experience when designing heat exchangers. We continuously work in order to improve and correct the software. Nevertheless we cannot guarantee its absolute infallibility. Therefore the use of the program is at the user's risk.

DATA	15.02.2019
CUSTOMER	
REFERENCE	

<b>Condenser model</b>		<b>P7-50 S-F</b>	
Number of circuits		1	1
Requested capacity	kW	27,28	
Margin	%	0	
PED category		---	

<b>INPUT DATA</b>		<b>PRIMARY SIDE</b>	<b>SECONDARY SIDE</b>
<b>Refrigerant</b>		R407C	
Condensing Temperature	°C	40 (Dew)	
Condensing Pressure	bar A	15,413	
Subcooling	K	5	
Pressure drop	kPa	2	
<b>Fluid</b>			WATER
Inlet Temperature	°C		30
Outlet Temperature	°C		35
Flow rate	m <sup>3</sup> /h		4,72
Pressure drop	kPa		17,5
Fouling factor	(m <sup>2</sup> K)/W		0,000043
Velocity (Inside)	m/s	---	0,21
Exchange coefficient	W/(m <sup>2</sup> K)	1426	8513
DTML	°C		7,21

**WARNING**

No warnings
-------------

**DIMENSIONS**

Surface	m <sup>2</sup>	3,5	
Weight	kg	12	
Channel volume	dm <sup>3</sup>	2,9	3
Height	mm	526	
Width	mm	120	
Depth	mm	125,4	
Connections		ODS 35/ODS 35	1.1/4" G/1.1/4" G

**OFFER**

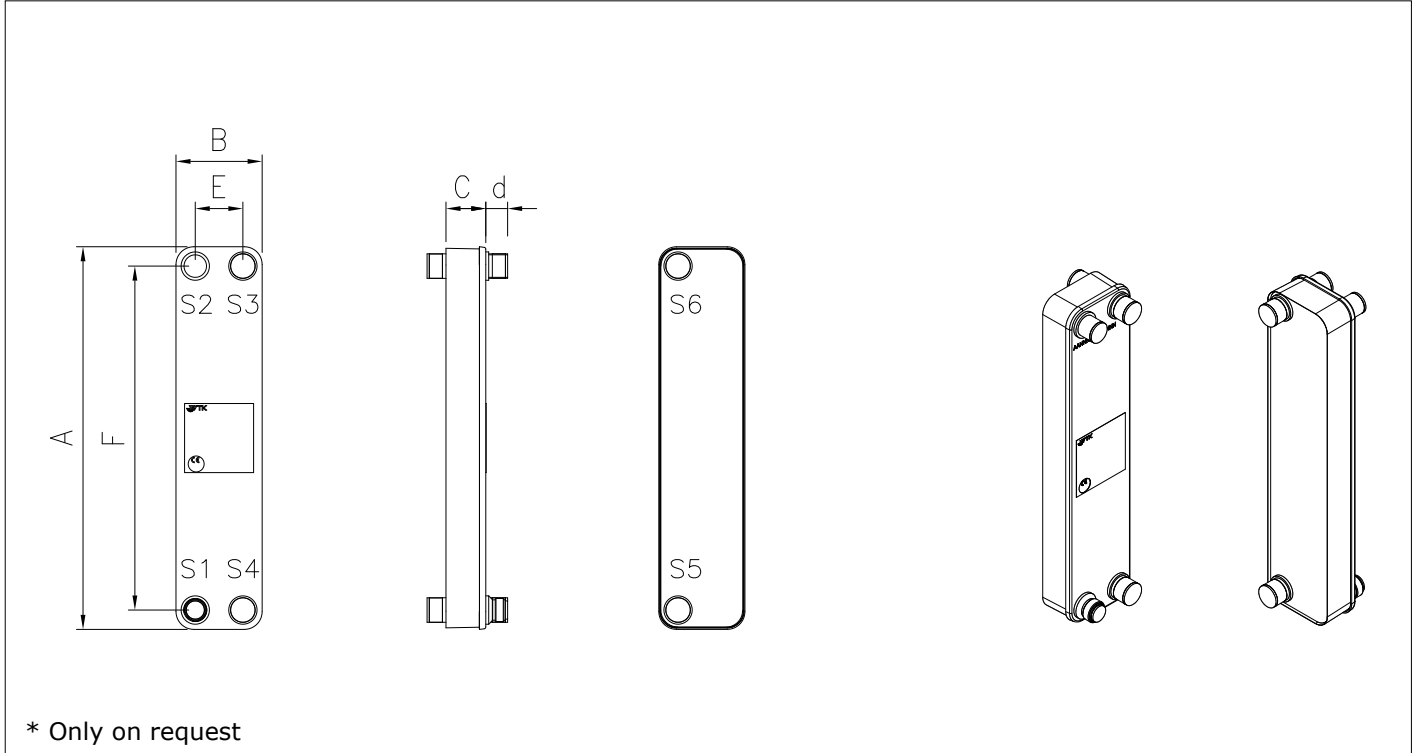
Unit net price	Euro	
----------------	------	--

**NOTES**

--



DATA	15.02.2019
CUSTOMER	
REFERENCE	

**DRAWING**

**DIMENSIONS (mm)**
**DATA**

A	526	S1	ODS 22	Surface	m?	3,5
B	120	S2	ODS 35	Weight	kg	12
C	125,4	S3	1.1/4" G			
E	66	S4	1.1/4" G			
F	473	S5*	1.1/4" G			
G	--	S6*	1.1/4" G			
d	27	S7	--			
		S8	--			

This software is only to be used as an assistance and does not replace the necessary specialist knowledge and experience when designing heat exchangers. We continuously work in order to improve and correct the software. Nevertheless we cannot guarantee its absolute infallibility. Therefore the use of the program is at the user's risk.

DATA	15.02.2019
CUSTOMER	
REFERENCE	

<b>Condenser model</b>		<b>P7-60 S-F</b>	
Number of circuits		1	1
Requested capacity	kW	32,76	
Margin	%	0	
PED category		---	

<b>INPUT DATA</b>		<b>PRIMARY SIDE</b>	<b>SECONDARY SIDE</b>
<b>Refrigerant</b>		R407C	
Condensing Temperature	°C	40 (Dew)	
Condensing Pressure	bar A	15,413	
Subcooling	K	5	
Pressure drop	kPa	2	
<b>Fluid</b>			WATER
Inlet Temperature	°C		30
Outlet Temperature	°C		35
Flow rate	m <sup>3</sup> /h		5,67
Pressure drop	kPa		18,3
Fouling factor	(m <sup>2</sup> K)/W		0,000043
Velocity (Inside)	m/s	---	0,21
Exchange coefficient	W/(m <sup>2</sup> K)	1429	8517
DTML	°C		7,21

**WARNING**

No warnings

**DIMENSIONS**

Surface	m <sup>2</sup>	4,200	
Weight	kg	14	
Channel volume	dm <sup>3</sup>	3,5	3,6
Height	mm	526	
Width	mm	120	
Depth	mm	149,4	
Connections		ODS 35/ODS 35	1.1/4" G/1.1/4" G

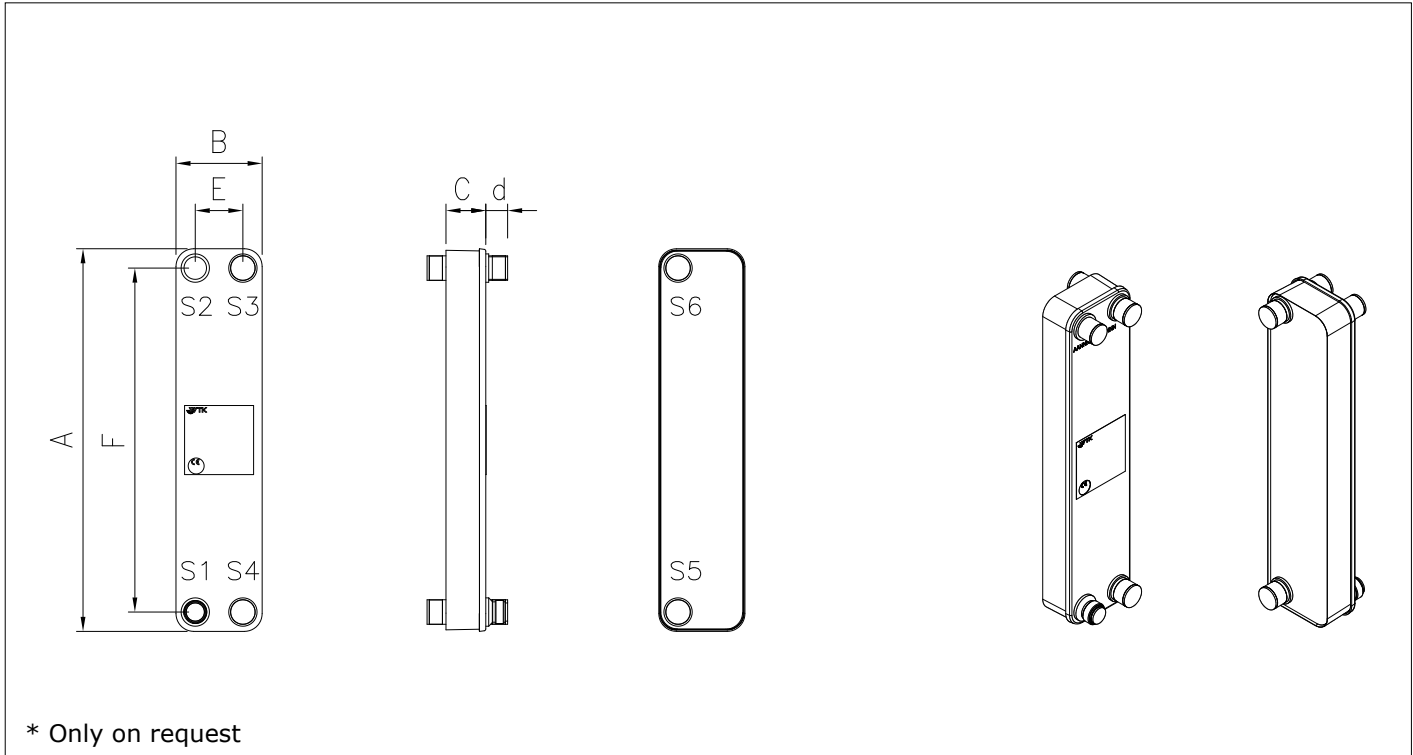
**OFFER**

Unit net price	Euro	
----------------	------	--

**NOTES**

--

DATA	15.02.2019
CUSTOMER	
REFERENCE	

**DRAWING**

**DIMENSIONS (mm)**
**DATA**

A	526	S1	ODS 22	Surface	m?	4,200
B	120	S2	ODS 35	Weight	kg	14
C	149,4	S3	1.1/4" G			
E	66	S4	1.1/4" G			
F	473	S5*	1.1/4" G			
G	--	S6*	1.1/4" G			
d	27	S7	--			
		S8	--			

This software is only to be used as an assistance and does not replace the necessary specialist knowledge and experience when designing heat exchangers. We continuously work in order to improve and correct the software. Nevertheless we cannot guarantee its absolute infallibility. Therefore the use of the program is at the user's risk.

DATA	15.02.2019
CUSTOMER	
REFERENCE	

<b>Condenser model</b>		<b>P7-70 S-F</b>	
Number of circuits		1	1
Requested capacity	kW	38,27	
Margin	%	0	
PED category		---	

<b>INPUT DATA</b>		<b>PRIMARY SIDE</b>	<b>SECONDARY SIDE</b>
<b>Refrigerant</b>		R407C	
Condensing Temperature	°C	40 (Dew)	
Condensing Pressure	bar A	15,413	
Subcooling	K	5	
Pressure drop	kPa	2	
<b>Fluid</b>			WATER
Inlet Temperature	°C		30
Outlet Temperature	°C		35
Flow rate	m <sup>3</sup> /h		6,63
Pressure drop	kPa		19,4
Fouling factor	(m <sup>2</sup> K)/W		0,000043
Velocity (Inside)	m/s	---	0,21
Exchange coefficient	W/(m <sup>2</sup> K)	1431	8523
DTML	°C		7,21

**WARNING**

No warnings
-------------

**DIMENSIONS**

Surface	m <sup>2</sup>	4,9	
Weight	kg	16	
Channel volume	dm <sup>3</sup>	4,1	4,2
Height	mm	526	
Width	mm	120	
Depth	mm	173,4	
Connections		ODS 35/ODS 35	1.1/4" G/1.1/4" G

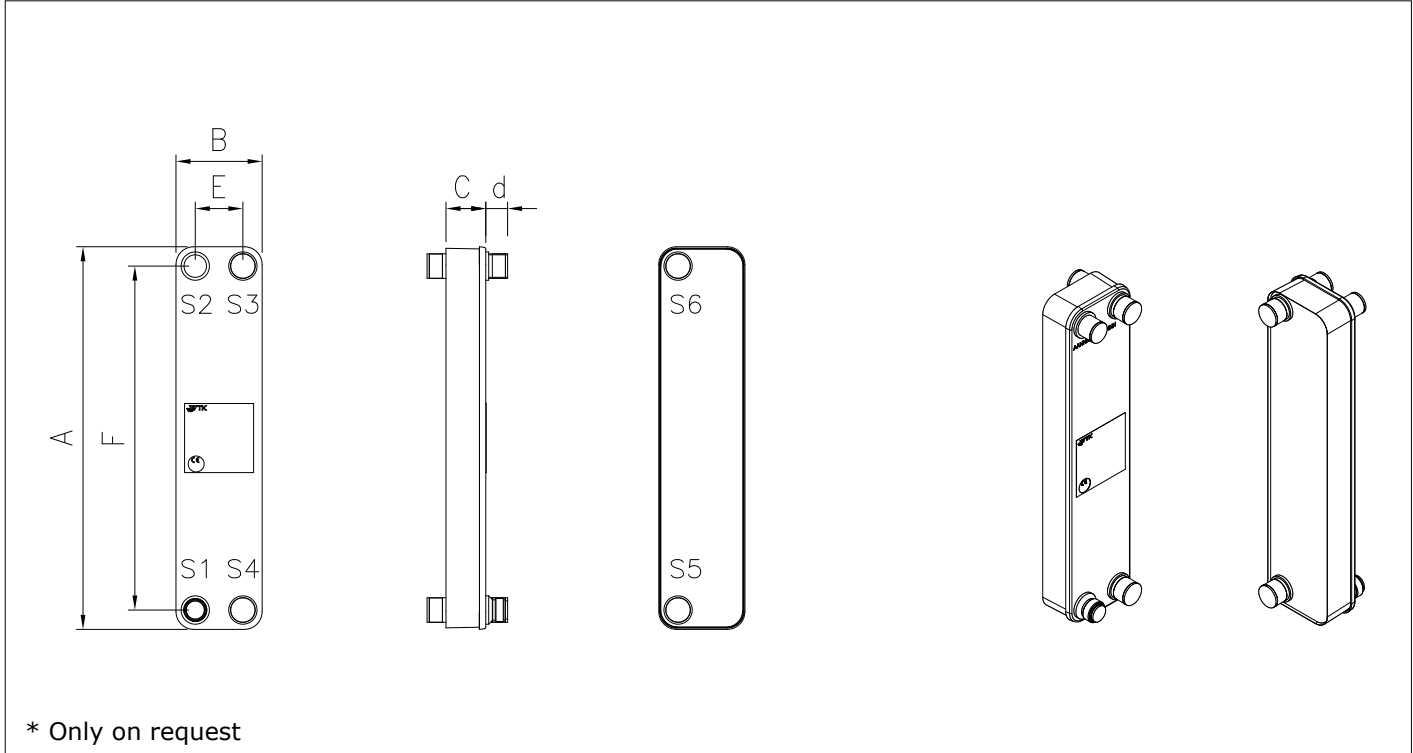
**OFFER**

Unit net price	Euro	
----------------	------	--

**NOTES**

--

DATA	15.02.2019
CUSTOMER	
REFERENCE	

**DRAWING**

**DIMENSIONS (mm)**
**DATA**

A	526	S1	ODS 22	Surface	m?	4,9
B	120	S2	ODS 35	Weight	kg	16
C	173,4	S3	1.1/4" G			
E	66	S4	1.1/4" G			
F	473	S5*	1.1/4" G			
G	--	S6*	1.1/4" G			
d	27	S7	--			
		S8	--			

This software is only to be used as an assistance and does not replace the necessary specialist knowledge and experience when designing heat exchangers. We continuously work in order to improve and correct the software. Nevertheless we cannot guarantee its absolute infallibility. Therefore the use of the program is at the user's risk.

DATA	15.02.2019
CUSTOMER	
REFERENCE	

<b>Condenser model</b>		<b>P7-80 S-F</b>	
Number of circuits		1	1
Requested capacity	kW	43,53	
Margin	%	0	
PED category		---	

<b>INPUT DATA</b>		<b>PRIMARY SIDE</b>	<b>SECONDARY SIDE</b>
<b>Refrigerant</b>		R407C	
Condensing Temperature	°C	40 (Dew)	
Condensing Pressure	bar A	15,413	
Subcooling	K	5	
Pressure drop	kPa	2	
<b>Fluid</b>			WATER
Inlet Temperature	°C		30
Outlet Temperature	°C		35
Flow rate	m <sup>3</sup> /h		7,54
Pressure drop	kPa		20,4
Fouling factor	(m <sup>2</sup> K)/W		0,000043
Velocity (Inside)	m/s	---	0,21
Exchange coefficient	W/(m <sup>2</sup> K)	1426	8498
DTML	°C		7,21

**WARNING**

No warnings
-------------

**DIMENSIONS**

Surface	m <sup>2</sup>	5,600	
Weight	kg	18	
Channel volume	dm <sup>3</sup>	4,7	4,8
Height	mm	526	
Width	mm	120	
Depth	mm	197,4	
Connections		ODS 35/ODS 35	1.1/4" G/1.1/4" G

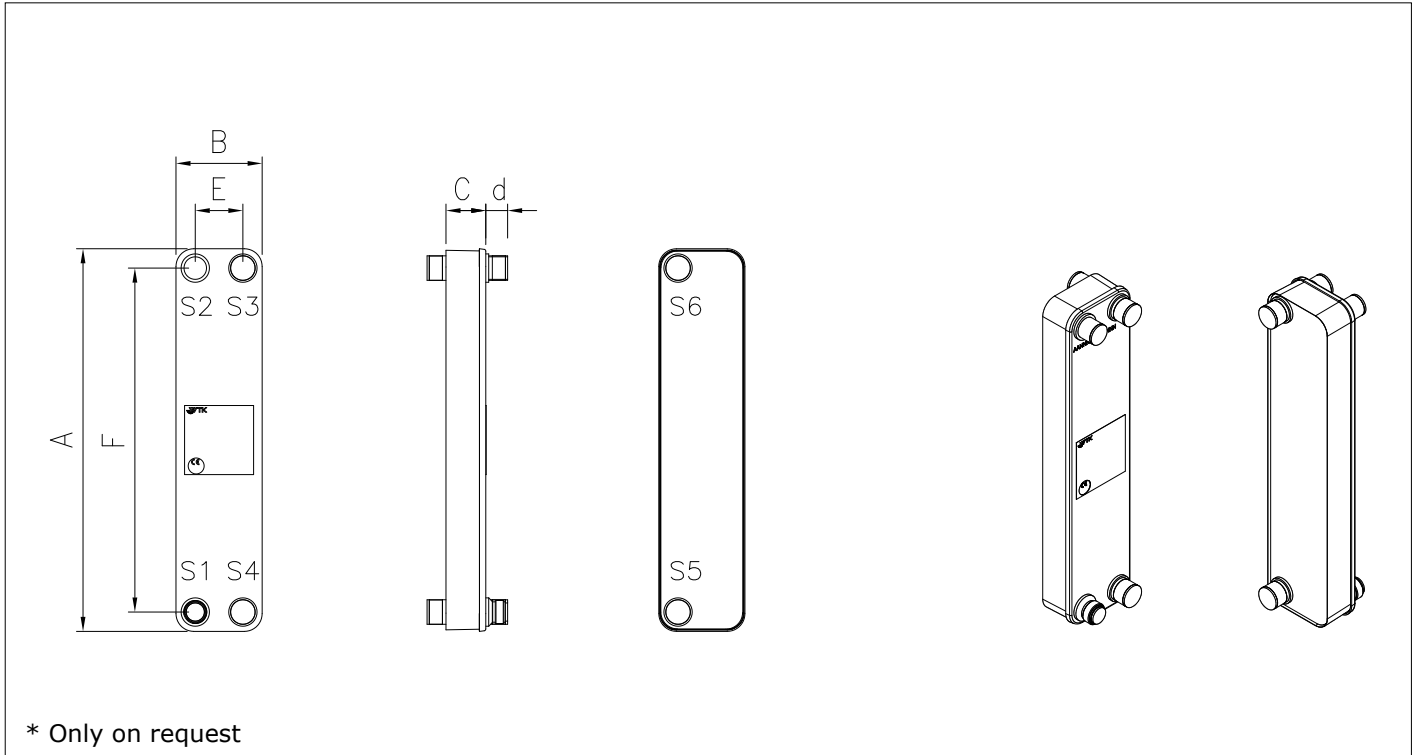
**OFFER**

Unit net price	Euro	
----------------	------	--

**NOTES**

--

DATA	15.02.2019
CUSTOMER	
REFERENCE	

**DRAWING**

**DIMENSIONS (mm)**
**DATA**

A	526	S1	ODS 22	Surface	m?	5,600
B	120	S2	ODS 35	Weight	kg	18
C	197,4	S3	1.1/4" G			
E	66	S4	1.1/4" G			
F	473	S5*	1.1/4" G			
G	--	S6*	1.1/4" G			
d	27	S7	--			
		S8	--			

This software is only to be used as an assistance and does not replace the necessary specialist knowledge and experience when designing heat exchangers. We continuously work in order to improve and correct the software. Nevertheless we cannot guarantee its absolute infallibility. Therefore the use of the program is at the user's risk.

DATA	15.02.2019
CUSTOMER	
REFERENCE	

<b>Condenser model</b>		<b>P7-90 S-F</b>	
Number of circuits		1	1
Requested capacity	kW	48,76	
Margin	%	0	
PED category		---	

<b>INPUT DATA</b>		<b>PRIMARY SIDE</b>	<b>SECONDARY SIDE</b>
<b>Refrigerant</b>		R407C	
Condensing Temperature	°C	40 (Dew)	
Condensing Pressure	bar A	15,413	
Subcooling	K	5	
Pressure drop	kPa	2	
<b>Fluid</b>			WATER
Inlet Temperature	°C		30
Outlet Temperature	°C		35
Flow rate	m <sup>3</sup> /h		8,44
Pressure drop	kPa		21,5
Fouling factor	(m <sup>2</sup> K)/W		0,000043
Velocity (Inside)	m/s	---	0,21
Exchange coefficient	W/(m <sup>2</sup> K)	1421	8473
DTML	°C		7,21

**WARNING**

No warnings
-------------

**DIMENSIONS**

Surface	m <sup>2</sup>	6,3	
Weight	kg	20	
Channel volume	dm <sup>3</sup>	5,3	5,4
Height	mm	526	
Width	mm	120	
Depth	mm	221,4	
Connections		ODS 35/ODS 35	1.1/4" G/1.1/4" G

**OFFER**

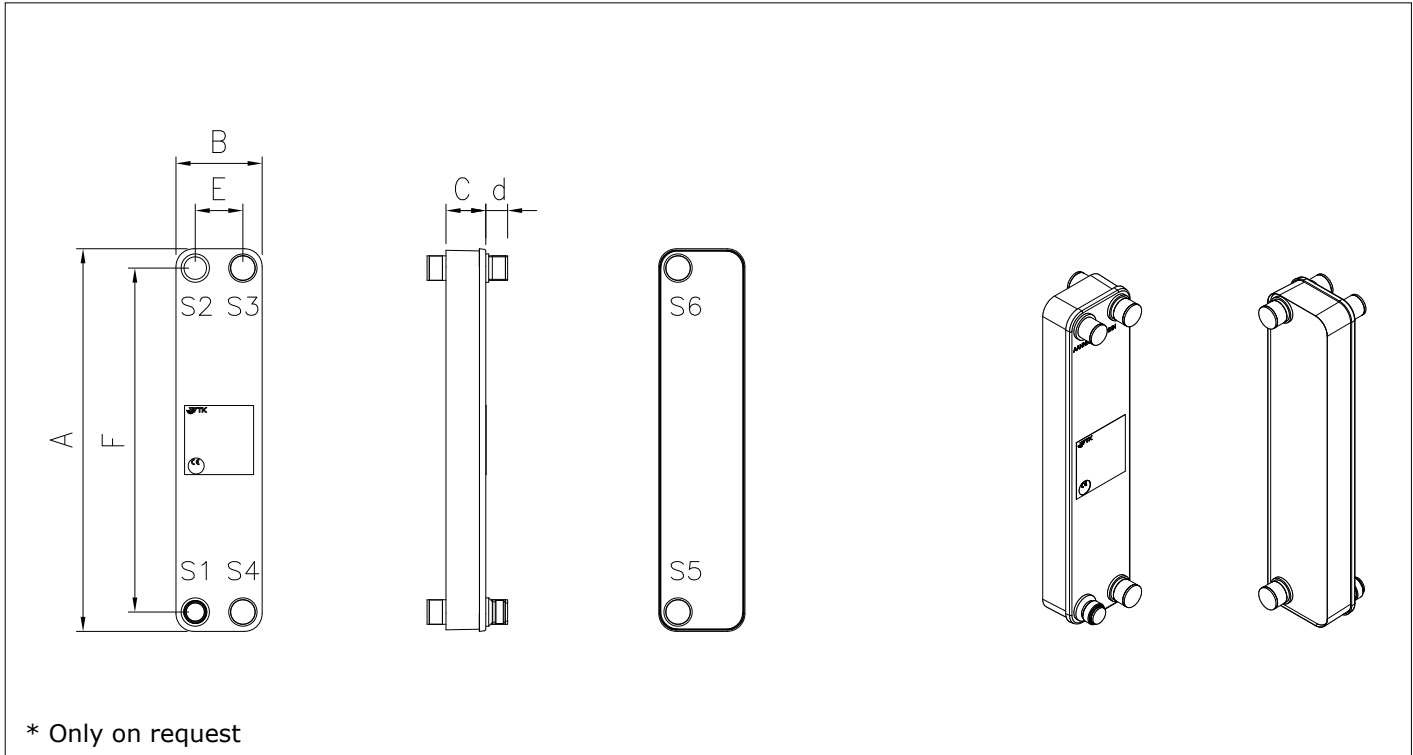
Unit net price	Euro	
----------------	------	--

**NOTES**

--



DATA	15.02.2019
CUSTOMER	
REFERENCE	

**DRAWING**

**DIMENSIONS (mm)**
**DATA**

A	526	S1	ODS 22	Surface	m?	6,3
B	120	S2	ODS 35	Weight	kg	20
C	221,4	S3	1.1/4" G			
E	66	S4	1.1/4" G			
F	473	S5*	1.1/4" G			
G	--	S6*	1.1/4" G			
d	27	S7	--			
		S8	--			

This software is only to be used as an assistance and does not replace the necessary specialist knowledge and experience when designing heat exchangers. We continuously work in order to improve and correct the software. Nevertheless we cannot guarantee its absolute infallibility. Therefore the use of the program is at the user's risk.

DATA	15.02.2019
CUSTOMER	
REFERENCE	

<b>Condenser model</b>		<b>P7-100 S-F</b>	
Number of circuits		1	1
Requested capacity	kW	53,92	
Margin	%	0	
PED category		---	

<b>INPUT DATA</b>		<b>PRIMARY SIDE</b>	<b>SECONDARY SIDE</b>
<b>Refrigerant</b>		R407C	
Condensing Temperature	°C	40 (Dew)	
Condensing Pressure	bar A	15,413	
Subcooling	K	5	
Pressure drop	kPa	2	
<b>Fluid</b>			WATER
Inlet Temperature	°C		30
Outlet Temperature	°C		35
Flow rate	m <sup>3</sup> /h		9,34
Pressure drop	kPa		22,7
Fouling factor	(m <sup>2</sup> K)/W		0,000043
Velocity (Inside)	m/s	---	0,21
Exchange coefficient	W/(m <sup>2</sup> K)	1415	8446
DTML	°C		7,21

**WARNING**

No warnings
-------------

**DIMENSIONS**

Surface	m <sup>2</sup>	7	
Weight	kg	22	
Channel volume	dm <sup>3</sup>	5,9	6
Height	mm	526	
Width	mm	120	
Depth	mm	245,4	
Connections		ODS 35/ODS 35	1.1/4" G/1.1/4" G

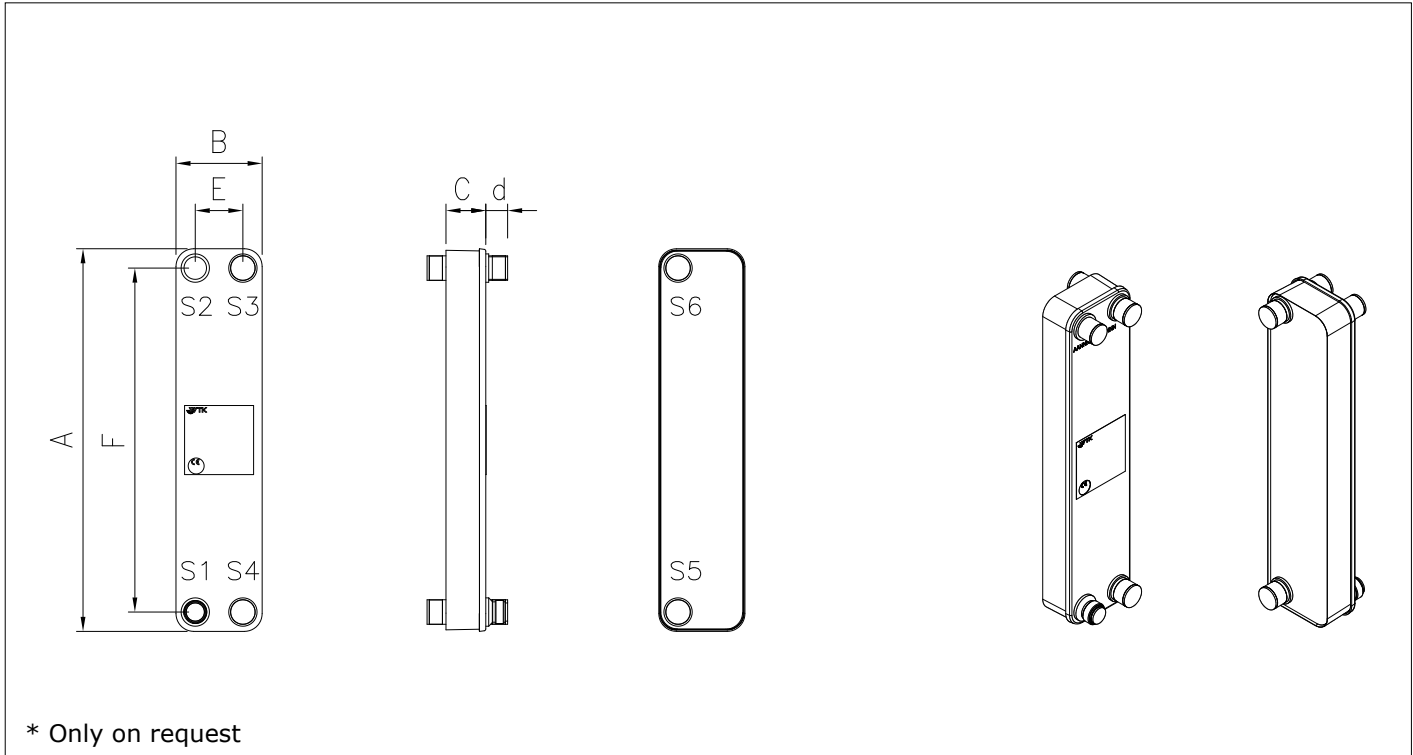
**OFFER**

Unit net price	Euro	
----------------	------	--

**NOTES**

--

DATA	15.02.2019
CUSTOMER	
REFERENCE	

**DRAWING**

**DIMENSIONS (mm)**
**DATA**

A	526	S1	ODS 22	Surface	m?	7
B	120	S2	ODS 35	Weight	kg	22
C	245,4	S3	1.1/4" G			
E	66	S4	1.1/4" G			
F	473	S5*	1.1/4" G			
G	--	S6*	1.1/4" G			
d	27	S7	--			
		S8	--			

This software is only to be used as an assistance and does not replace the necessary specialist knowledge and experience when designing heat exchangers. We continuously work in order to improve and correct the software. Nevertheless we cannot guarantee its absolute infallibility. Therefore the use of the program is at the user's risk.

DATA	15.02.2019
CUSTOMER	
REFERENCE	

<b>Condenser model</b>		<b>P7-110 S-F</b>	
Number of circuits		1	1
Requested capacity	kW	59,03	
Margin	%	0	
PED category		---	

<b>INPUT DATA</b>		<b>PRIMARY SIDE</b>	<b>SECONDARY SIDE</b>
<b>Refrigerant</b>		R407C	
Condensing Temperature	°C	40 (Dew)	
Condensing Pressure	bar A	15,413	
Subcooling	K	5	
Pressure drop	kPa	2	
<b>Fluid</b>			WATER
Inlet Temperature	°C		30
Outlet Temperature	°C		35
Flow rate	m <sup>3</sup> /h		10,22
Pressure drop	kPa		24,1
Fouling factor	(m <sup>2</sup> K)/W		0,000043
Velocity (Inside)	m/s	---	0,20
Exchange coefficient	W/(m <sup>2</sup> K)	1410	8420
DTML	°C		7,21

**WARNING**

No warnings
-------------

**DIMENSIONS**

Surface	m <sup>2</sup>	7,700	
Weight	kg	24	
Channel volume	dm <sup>3</sup>	6,5	6,6
Height	mm	526	
Width	mm	120	
Depth	mm	269,4	
Connections		ODS 35/ODS 35	1.1/4" G/1.1/4" G

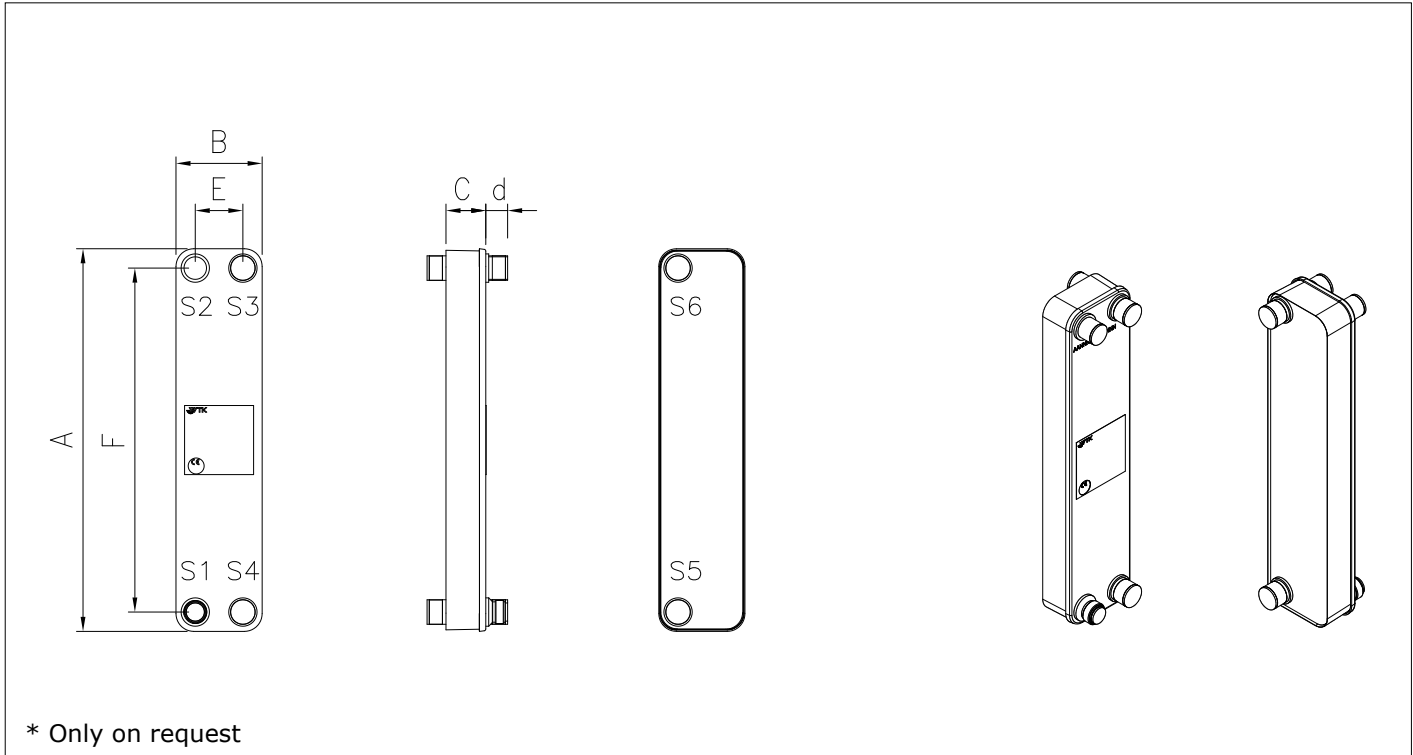
**OFFER**

Unit net price	Euro	
----------------	------	--

**NOTES**

--

DATA	15.02.2019
CUSTOMER	
REFERENCE	

**DRAWING**

**DIMENSIONS (mm)**
**DATA**

A	526	S1	ODS 22	Surface	m?	7,700
B	120	S2	ODS 35	Weight	kg	24
C	269,4	S3	1.1/4" G			
E	66	S4	1.1/4" G			
F	473	S5*	1.1/4" G			
G	--	S6*	1.1/4" G			
d	27	S7	--			
		S8	--			

This software is only to be used as an assistance and does not replace the necessary specialist knowledge and experience when designing heat exchangers. We continuously work in order to improve and correct the software. Nevertheless we cannot guarantee its absolute infallibility. Therefore the use of the program is at the user's risk.

DATA	15.02.2019
CUSTOMER	
REFERENCE	

<b>Condenser model</b>		<b>P7-120 S-F</b>	
Number of circuits		1	1
Requested capacity	kW	64,11	
Margin	%	0	
PED category		---	

<b>INPUT DATA</b>		<b>PRIMARY SIDE</b>	<b>SECONDARY SIDE</b>
<b>Refrigerant</b>		R407C	
Condensing Temperature	°C	40 (Dew)	
Condensing Pressure	bar A	15,413	
Subcooling	K	5	
Pressure drop	kPa	3	
<b>Fluid</b>			WATER
Inlet Temperature	°C		30
Outlet Temperature	°C		35
Flow rate	m <sup>3</sup> /h		11,10
Pressure drop	kPa		25,6
Fouling factor	(m <sup>2</sup> K)/W		0,000043
Velocity (Inside)	m/s	---	0,20
Exchange coefficient	W/(m <sup>2</sup> K)	1404	8395
DTML	°C		7,21

**WARNING**

No warnings
-------------

**DIMENSIONS**

Surface	m <sup>2</sup>	8,400	
Weight	kg	26	
Channel volume	dm <sup>3</sup>	7,1	7,2
Height	mm	526	
Width	mm	120	
Depth	mm	293,4	
Connections		ODS 35/ODS 35	1.1/4" G/1.1/4" G

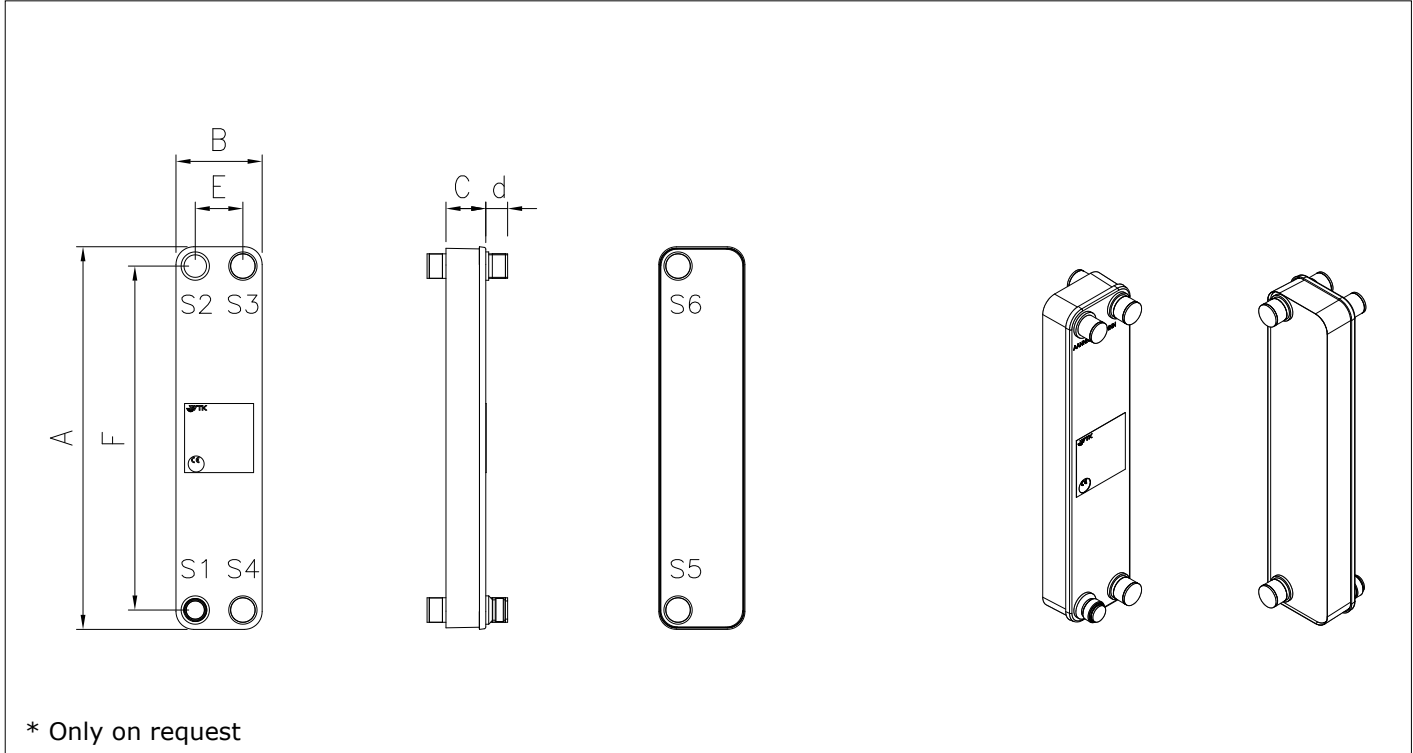
**OFFER**

Unit net price	Euro	
----------------	------	--

**NOTES**

--

DATA	15.02.2019
CUSTOMER	
REFERENCE	

**DRAWING**

**DIMENSIONS (mm)**
**DATA**

A	526	S1	ODS 22	Surface	m?	8,400
B	120	S2	ODS 35	Weight	kg	26
C	293,4	S3	1.1/4" G			
E	66	S4	1.1/4" G			
F	473	S5*	1.1/4" G			
G	--	S6*	1.1/4" G			
d	27	S7	--			
		S8	--			

This software is only to be used as an assistance and does not replace the necessary specialist knowledge and experience when designing heat exchangers. We continuously work in order to improve and correct the software. Nevertheless we cannot guarantee its absolute infallibility. Therefore the use of the program is at the user's risk.

DATA	15.02.2019
CUSTOMER	
REFERENCE	

<b>Condenser model</b>		<b>P7-24 S-F</b>	
Number of circuits		1	1
Requested capacity	kW	13,02	
Margin	%	0	
PED category		---	

<b>INPUT DATA</b>		<b>PRIMARY SIDE</b>	<b>SECONDARY SIDE</b>
<b>Refrigerant</b>		R407C	
Condensing Temperature	°C	40 (Dew)	
Condensing Pressure	bar A	15,413	
Subcooling	K	5	
Pressure drop	kPa	1	
<b>Fluid</b>			WATER
Inlet Temperature	°C		30
Outlet Temperature	°C		35
Flow rate	m <sup>3</sup> /h		2,25
Pressure drop	kPa		15,8
Fouling factor	(m <sup>2</sup> K)/W		0,000043
Velocity (Inside)	m/s	---	0,21
Exchange coefficient	W/(m <sup>2</sup> K)	1407	8480
DTML	°C		7,21

**WARNING**

No warnings
-------------

**DIMENSIONS**

Surface	m <sup>2</sup>	1,68	
Weight	kg	7	
Channel volume	dm <sup>3</sup>	1,3	1,4
Height	mm	526	
Width	mm	120	
Depth	mm	63	
Connections		ODS 35/ODS 35	1.1/4" G/1.1/4" G

**OFFER**

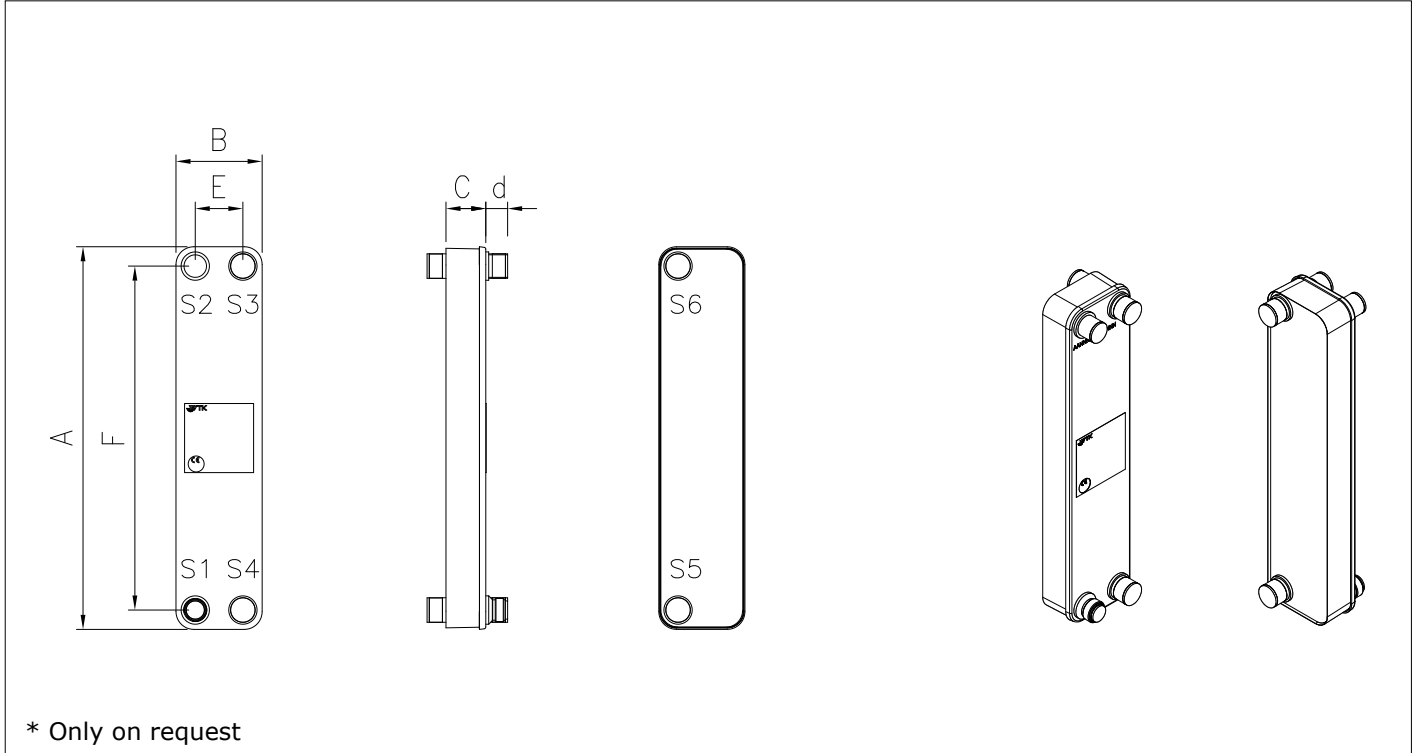
Unit net price	Euro	
----------------	------	--

**NOTES**

--



DATA	15.02.2019
CUSTOMER	
REFERENCE	

**DRAWING**

**DIMENSIONS (mm)**
**DATA**

A	526	S1	ODS 22	Surface	m?	1,68
B	120	S2	ODS 35	Weight	kg	7
C	63	S3	1.1/4" G			
E	66	S4	1.1/4" G			
F	473	S5*	1.1/4" G			
G	--	S6*	1.1/4" G			
d	27	S7	--			
		S8	--			

This software is only to be used as an assistance and does not replace the necessary specialist knowledge and experience when designing heat exchangers. We continuously work in order to improve and correct the software. Nevertheless we cannot guarantee its absolute infallibility. Therefore the use of the program is at the user's risk.