

DATA	18.02.2019
CUSTOMER	
REFERENCE	

Evaporator Model		DCE 143 2P
Number of refrigerant circuits		2
Requested capacity	kW	140
Margin of surface	%	0,0
PED category		---

INPUT DATA		TUBES SIDE	SHELL SIDE
Refrigerant		R22	
Evaporating Temperature	°C	2	
Evaporating Pressure	bar A	5,312	
Superheating	K	5	
Condensing Temperature	°C	40	
Condensing Pressure	bar A	15,336	
Subcooling	K	5	
Pressure drop	kPa	14	
Fluid			WATER
Inlet Temperature	°C		12
Outlet Temperature	°C		7
Flow rate	m ³ /h		24,0
Pressure drop	kPa		43
Fouling factor	(m ² K)/W		0,000043
Velocity (Inside)	m/s	9,05	1,45
Exchange coefficient	W/(m ² K)	4415	8836
DTML	°C		7,21

WARNING

No warnings

DIMENSIONS

Surface	m ²	---	8,49
Weight	kg		116
Total volume	dm ³	16	34
Overall length	mm		2110
Shell diameter	mm		194
In/out connections	Gas/mm	2x22 / 2x42	3"

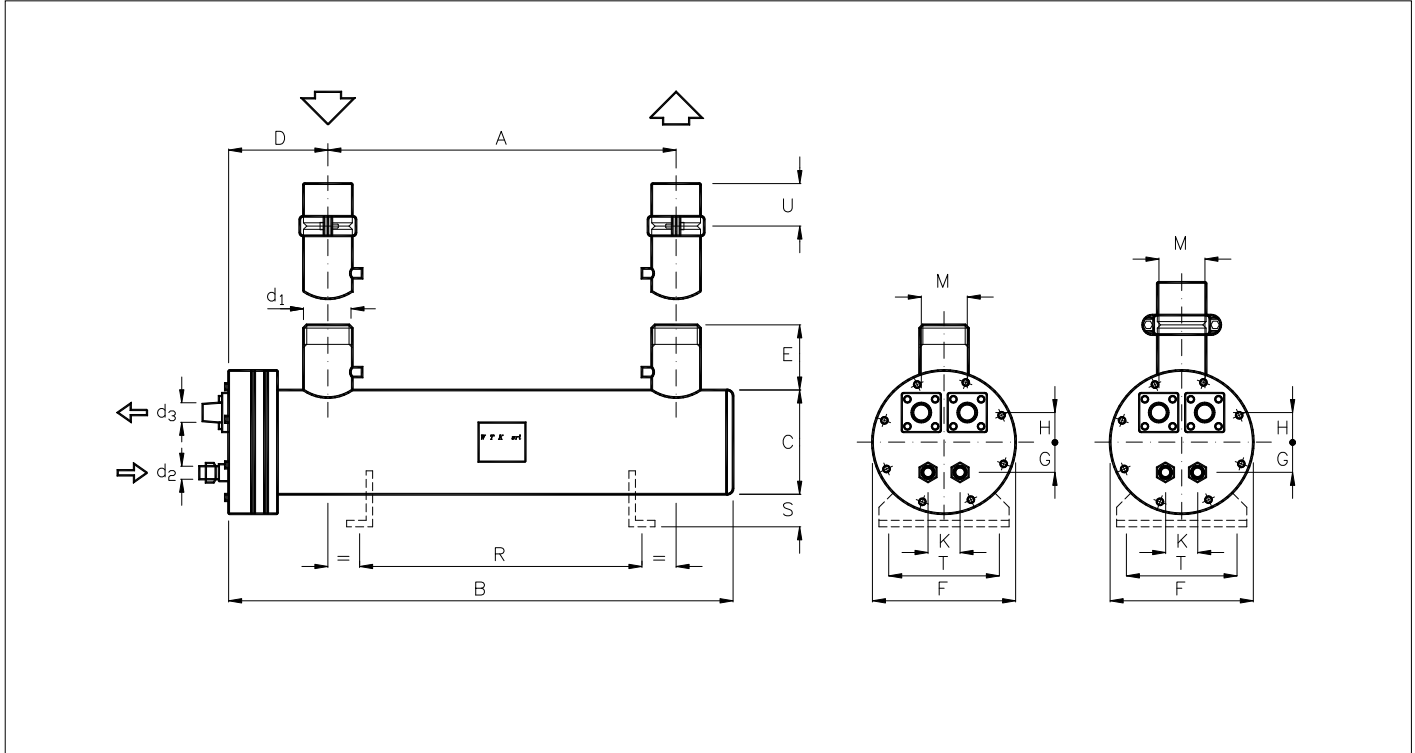
OFFER

Unit net price	Euro	
----------------	------	--

NOTES

--

DATA	18.02.2019
CUSTOMER	
REFERENCE	

DRAWING

DIMENSIONS (mm)
DATA

Dimension	Value	Dimension	Value	Parameter	Unit	Value
A	1830	L	0	Surface	m ²	8,49
B	2110	M	84	Weight	kg	116
C	194	N	0	Tubes volume (Refrig.)	dm ³	16
D	178	O	0	Shell volume (Fluid)	dm ³	34
E	130	R	1500	Refrig. connections In/Out	mm	2x22 / 2x42
F	270	S	60	Shell connections	Gas/mm	3"
G	34	T	160			
H	28	U	N/A			
K	70	X	0			

This software is only to be used as an assistance and does not replace the necessary specialist knowledge and experience when designing heat exchangers. We continuously work in order to improve and correct the software. Nevertheless we cannot guarantee its absolute infallibility. Therefore the use of the program is at the user's risk.