

ENGINEERING
TOMORROW



50 and 60Hz Catalogue

Danfoss **Light Commercial Refrigeration** Compressors D, U, L, P, X, S Ranges

R134a | R404A | R507 | R600a | R290



lightcommercialrefrigeration.danfoss.com

Table of contents

General Information	4
Compressor Ranges	4
The Green Cooling Ranges	6
AC Variable Speed Compressors	7
DC Variable Speed Compressors for Mobile Applications	7
Compressor Ranges Main Characteristics.....	8
Labels and Approvals	8
Compressor Nomenclature	9
Voltage.....	10
Applications.....	10
Operating Envelope	11
Types of Electrical Motors.....	13
Compressor Summary	14
How to read this Catalogue.....	15
Compressors Catalogue	16
R134a	16
R404A/R507	26
R290	31
R600a	36
Technical Information	39
Compressor Dimensional Drawings	40
Packaging	42
Fixings	43
Wiring Diagrams and Electrical Assembly	45
Spare parts list	50

Compressor Ranges

D range



Features:

Very compact design, low weight, extra silent

Range:

2.40 to 4.03 cc

Refrigerants:

R134a, R290, R600a

Applications:

Water Coolers, Can Coolers, Bottle Coolers, Small Refrigerators and Freezers

U range



Features:

27% more efficiency than L range, more compact: 12 mm shorter, 2.5 kg lighter, -10dB(A) quieter

Range:

5.5 to 10.6 cc

Refrigerants:

R134a, R404A, R290, R600a

Applications:

Household Refrigerators, Bottle Coolers and Freezers, Can Coolers, Chest Freezers, Vending Machines, Ice Cream Freezers, Beer Dispensers, Ice Makers, Soft Drink Dispensers, Heat Pumps Systems

L range



Features:

Highly efficient range with propane (R290) & isobutane (R600a)

Range:

4.00 to 10.70 cc

Refrigerants:

R134a, R404A, R507, R600a, R290

Applications:

Household Refrigerators, Bottle Coolers and Freezers, Can Coolers, Chest Freezers, Vending Machines, Ice Cream Freezers, Beer Dispensers, Ice Makers, Soft Drink Dispensers, Heat Pump Systems

P range

Features:
High efficiency versions
Highly efficient range with propane (R290) & isobutane (R600a)

Range:
12.00 - 18.00 cc

Refrigerants:
R134a, R404A, R507, R600a, R290

Applications:
Household Refrigerators, Bottle Coolers and Freezers, Can Coolers, Chest Freezers, Vending Machines, Ice Cream Freezers, Beer Dispensers, Ice Makers, Soft Drink Dispensers



X range



Features:

High reliability & efficiency. Optimized design to work under heavy duty operating conditions

Range:

16.00 to 23.00 cc

Refrigerants:

R134a, R404A, R507, R290, R407C

Applications:

Large Freezers (vertical and chest), Blast Freezers, Ice Makers, Vending Machines, Display Cabinets, Display Islands, Soft Drink Dispensers

S range

Features:
Top capacity range, optimized design to reduce vibration

Range:
18.00 to 34.42 cc

Refrigerants:
R134a, R404A, R407C, R507

Applications:
Large Freezers (vertical and chest), Soft Drink Dispensers, Blast Freezers, Air Dryers, Ice Makers, Air Conditioning, Vending Machines, Heat Pumps, Display Cabinets and Islands



The Green Cooling Ranges

The most extended range of compressors for sustainable refrigeration in terms of energy consumption reduction.

The advanced design of the Green Cooling Ranges allows efficiency improvement providing energy consumption reductions up to 45% compared to standard versions; consequently, lower CO₂ emissions to the atmosphere.

The Green Cooling Ranges comprise **High Efficiency, Natural Refrigerants and Variable Speed Compressors.**

The Green Cooling range improves the compressor COP between **20%** and **30%** in comparison with standard ranges.



GREEN COOLING

The major environmental benefits are obtained combining the use of the R290 with the design criteria of high efficiency ranges.

These compressor models, in their more advanced version, can save up to 50% of energy when compared with standard efficiency series of R404A thanks to its high-efficiency mechanics, its advanced motor winding design and the optional running capacitor concept.

High Efficiency Ranges

The High Efficiency models reduce energy consumption of commercial refrigeration appliances between 10% and 30% with respect to standard ranges. Most High-Efficiency models are equipped with electric motors, designed with the "optional run capacitor" concept, that is, the compressor can work with or without a running capacitor (CSR/CSIR), offering different levels of efficiency with the same compressor. The new U range offers the highest level of efficiency with propane in the market today.

Natural Refrigerants

Natural refrigerants like propane (R290) and isobutane (R600a) are being gradually introduced in commercial appliances, not only due to the replacement of H-CFC's and HFC's refrigerants which have high impact on environment, but also because it is more efficient in terms of performance and applications' energy consumption.

Refrigerant propane has no direct contribution to global warming and its energy consumption is between 10% to 15% lower than a similar application with R404A. The R290 compressors offer a higher cooling capacity and COP allowing energy-saving consumption with smaller displacement.



AC Variable Speed Compressors

The Variable speed compressor offers the lowest energy consumption by means of electronically self-adjusting the compressor's speed to the appliance's cooling needs, while improving COP up to 50%. Using Smart Speed® software with communication capabilities, this compressor automatically achieves the best efficiency for the appliance while dynamically adapting the compressor's speed to the needed cooling capacity.



Variable speed compressors - AC

Features:

High Efficiency, Flexible Speed Drive
Drop-in Configuration
External Controlling
200-240 V / 50-60Hz
110-127V / 50-60Hz

Models:

GLT99FSN, NPT12FSC, NLT60FSN

Refrigerant:

R290, R134a

DC Variable Speed Compressors for Mobile Applications

The mobile cooling solutions for transportation vehicles are designed to operate from a 12-42V DC power supply. These compressors are designed for mobile DC applications in boats, trucks, private cars, medical appliances in ambulances, truck cabin air conditioners, among others.

The GD30FDC model is the solution for users requiring comfort and reliability while traveling where a DC powered refrigerator is utilized.

The GLT80TDC is the answer to the needs of users requiring comfort and reliability while traveling, either on holidays, at work or in any other circumstance where a DC powered air conditioner is utilized.

The GD30FDC and GLT80TDC are designed to operate from a low voltage DC power supply to operate silently, efficiently and reliably even when tilted up to 30° / 20° respectively, working with refrigerant R134a.



Variable Speed Compressors - DC

Features:

DC compressors for mobile applications, exceptionally silent
GD30FDC VDE & UL approved
Ready to work under heavy duty operating conditions
12-42V DC / 24-42V DC / 48-56V DC

Models:

GD30FDC, GLT80TDC.

Refrigerant:

R134a, R600a

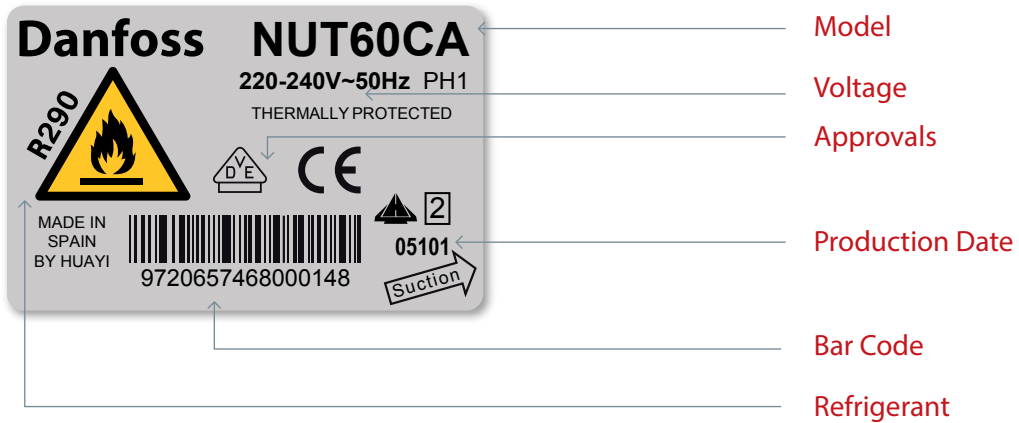
The electronic driver of all Variable Speed Compressors include the Smart Speed® programming option, which is a plug-in system for automatically self-adapting compressor speed to the current thermal load.

Compressor Ranges Main Characteristics

Compressor ranges - Main characteristics							
Range	Displacement (cm ³)		Cooling capacity (W) [*]				Weight (max) (kg)
			LBP		HMBP		
	min	max	min	max	min	max	
D	2.4	4	47	95	210	360	7
L	4.5	10.7	110	487	324	1410	11
U	5.5	10.6	215	354	325	401	9.90
P	12	18	190	968	1065	2080	13
X	16	23	400	1060	1655	3030	17
S	18	34	1215	1620	2475	5265	23

*All refrigerants / Measured at ASHRAE rating condition 50 Hz

Labels and Approvals



Approvals



Directive compliance declarations



Flammable gases



Compressor Nomenclature

model

G L Y 6 0 R A a

Indicates refrigerant. G = R134a N = R290 M = R404A/R507 H = R600a	G L Y 60 R A a
--	---

Indicates compressor range (overall design).

D = 2.4 - 4cm ³	L = 4.0 - 11cm ³	X = 16 - 23cm ³
U = 5.5 - 10.6cm ³	P = 12 - 18cm ³	S = 18 - 34cm ³

Indicates energy efficiency level. Not appearing in case of Standard efficiency.

M = Medium
Y = High Efficiency - Run Capacitor Optional RSIR/RSCR or CSIR/CSR
T = Top Efficiency - Run Capacitor RSCR or CSR

Indicates approximate compressor displacement under the following rule:

D / U / L ranges 10 times the approx. displacement in cm³/rev (GL90TB -> approx 9 cm³/rev)
P / X / S ranges The approx. displacement in cm³/rev (MX21TG -> approx 21 cm³/rev)

Indicates the starting torque, application type and compressor cooling:

A = LBP - LST - S	G = LBP - LST - S (RSCR only)	T = HMBP - HST - FAN
B = LBP - LST - OC	L = LBP - HST - Fan (Current Relay)	(CSR versions with Potential Relay)
C = LBP - LST - FAN	M = HMBP - LST/HST - S/FAN	U = AC - LST/HST - FAN
D = LBP - HST - S	N = MBP - LST/HST - S/FAN	Y = VHBP - HST - Fan
E = LBP - HST - OC	P = HMBP - LST - FAN	
F = LBP - HST - FAN	R = HMBP - HST - FAN	
	(CSR versions with Current Relay)	

Indicates the rated voltage:

A = 220-240V 50Hz	G = 200-220V 50Hz/220-230V 60Hz	T = 200-220V 50Hz
B = 220-240V 50Hz (old ranges)	J = 100V 50/60Hz	U = 208-230V 60Hz
C = 100V 50/60Hz (old ranges)	M = 115-127V 60Hz	3 = 3 phase 400-440V 50/60Hz
D = 115V 60Hz	L/N = 200-220V 50Hz or 200-240V 50Hz	
E = 115V 60Hz (old ranges)	220-230V 60Hz (50°C)	
F = 208-230V 60Hz (old ranges)	R = 115-127V 60Hz (old ranges)	

Indicates a variant of the model that only affects the configuration of electrical components. Its meaning may vary from model to model. It does not appear on the compressor label but it is used for ordering, invoicing and HCB internal processes.

Examples:

1. In high-efficiency compressors ("Y" series, i.e.: GPY12LA or MLY80RD), the letters "a" or "b" may indicate the type of electrical connection corresponding to the electrical accessories supplied with the compressor.

- a** = no use of running capacitor
- b** = use of running capacitor

2. In HMBP models of D range, R134a refrigerant (i.e.: GD30MB or GD40MB) it indicates the electrical accessories corresponding to the following situations:

- a** = static cooling and without starting capacitor
- b** = fan cooling and without starting capacitor
- c** = static cooling and with starting capacitor
- d** = fan cooling and with starting capacitor

Voltage

The standards consider the voltage variation of the network to be within +/- 6% of its rated value, nevertheless the motors' design is able to work within -15% of the lowest rating and +10% of the highest rating.

Compressor Voltage Versions		
Voltage version	Compressor rating	Voltage operative range
A or B	220-240 V 50 Hz	187-264 V 50 Hz
C or J	100 V 50/60 Hz	85-110 V 50/60 Hz
D or E	115 V 60 Hz	98-127 V 60 Hz
G or F L or N	200- 220/220-230 V 50/60 Hz	170-242/187-253 V 50/60 Hz
M or R	115-127V 60Hz	98-140V 60Hz
T	200-220V 50Hz	187-242V 50Hz
U	208-230V 60Hz	177-253V 60Hz
3	400/440 V 50/60 Hz 3ph	340-440/374-484 V 50/60 Hz

Applications

Based on the characteristics of the system for which the compressor is intended, compressors are classified in different groups of application.

Low Back Pressure (LBP) Compressors.

Evaporating temperature range: -35 to -10°C [-31°F to +14°F] (down to -40°C [-40°F] for refrigerant R404A).

Rating condition: -25°C [-13°F] (CECOMAF) or -23.3°C [-10°F] (ASHRAE).

Low-Medium Back Pressure (LMBP) Compressors.

Evaporating temperature range: -35 to -5°C [-31°F to +23°F]

Rating condition: -25°C [-13°F] (CECOMAF) or -23.3°C [-10°F] (ASHRAE).

Medium Back Pressure (MBP) Compressors.

Evaporating temperature range: -25°C to 0°C [-10°F to 32°F]

High Medium Back Pressure (HMBP) Compressors.

Evaporating temperature range: -25 to +10°C [-13°F to +50°F].

Rating condition: +5°C [+41°F] (CECOMAF) or +7.2°C [+45°F] (ASHRAE).

High Back Pressure (HBP) Compressors.

Evaporating temperature range: -15°C to +10°C [+5°F to +50°F].

Rating condition: +5°C [+41°F] (CECOMAF) or +7.2°C [+45°F] (ASHRAE).

Very High Back Pressure (VHBP) Compressors.

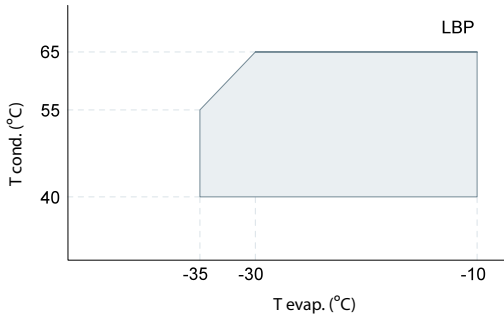
Evaporating temperature range 0°C to +25°C [+32 to +77°F] with condensing temperature up to +75°C [+167°F].

The rating condition is defined by an internal standard: Te = +10°C [+50°F].

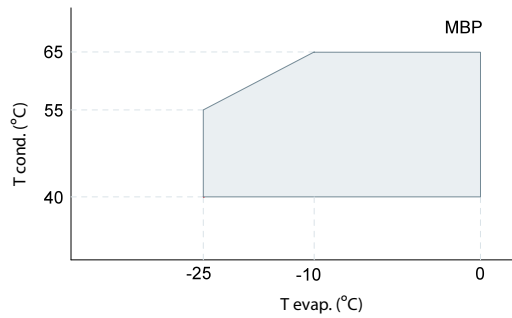
Operating Envelope

In order to grant the compressor reliability it is recommended that the point representing the operating conditions (suction and discharge pressures) falls within the shadowed area of the corresponding graph.

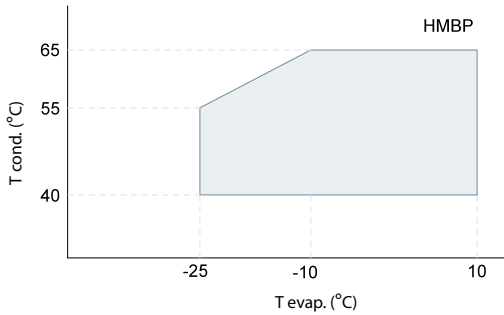
R134a LBP



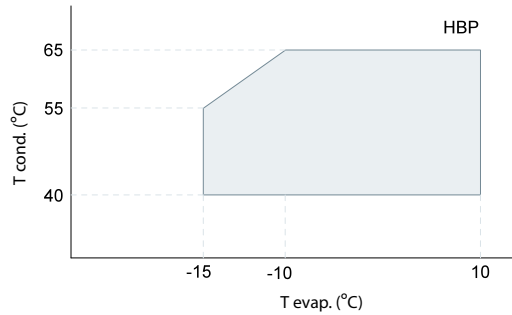
R134a MBP



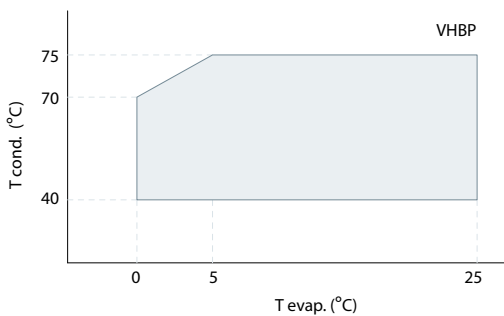
R134a HMBP



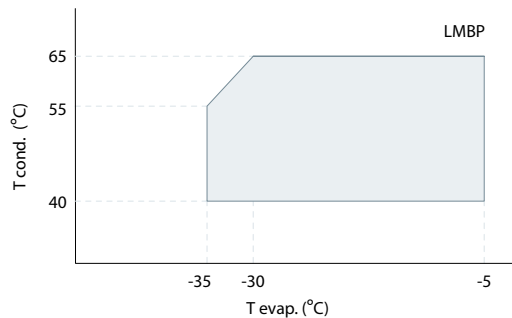
R134a HBP



R134a VHBP

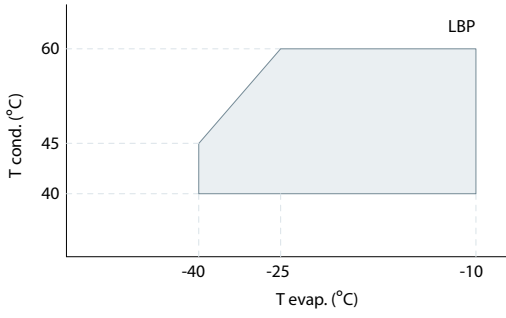


R134a LMBP

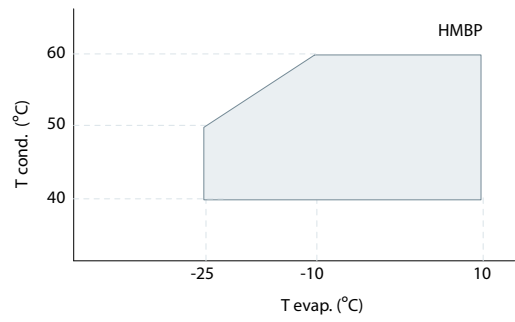


Danfoss Light Commercial Refrigeration Compressors

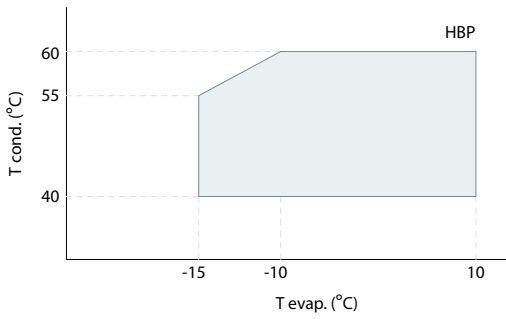
R404A LBP



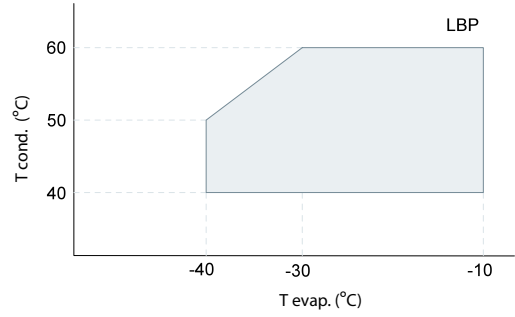
R404A HMBP



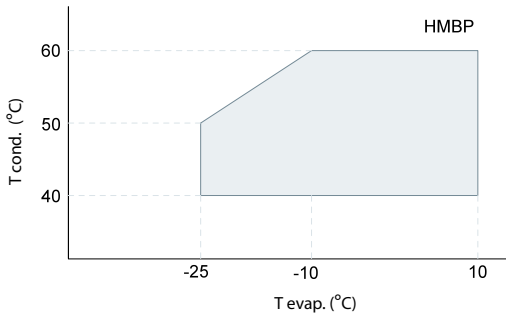
R404A HBP



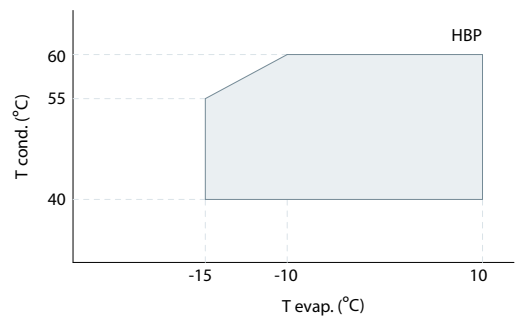
R290 LBP



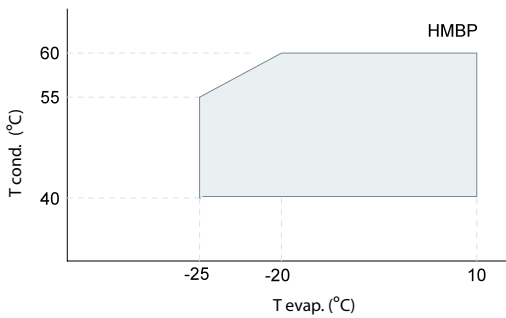
R290 HMBP



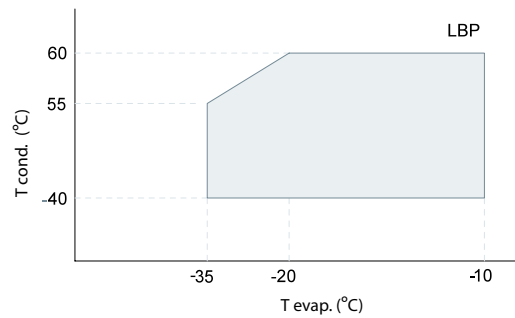
R290 HBP



R600a HMBP



R600a LBP





Types of Electrical Motors

RSIR (Resistance Start-Induction Run)

LST motor. No capacitors. Auxiliary winding is disconnected after start up. Standard energy efficiency.

CSIR (Capacitor Start-Induction Run)

HST motor. With starting capacitor. Auxiliary winding is disconnected after start up. Standard efficiency.

RSCR (Resistance Start-Capacitor Run)

LST motor. With running capacitor. Auxiliary winding remains connected after start up. Used for high efficiency in small capacity compressors (particularly in household refrigeration)

CSR (Capacitor Start and Run)

HST motor. Two capacitors (starting and running). Auxiliary winding remains connected after start up. Used for high efficiency in small compressors and for size reduced size motors in compressors with comparatively large displacements.

Single phase motor classification				
Capacitor type	HST With starting capacitor		LST Without starting capacitor	
With Running capacitor	Motor type: CSIR	Starting device: Current relay + NTC for L, P and X ranges Potential relay for P, X & S ranges	Motor type: RSCR	Starting device: PTC
Without Running capacitor	Motor type: CSIR	Starting device: Current Relay	Motor type: RSIR	Starting device: Current Relay or PTC

Type of starting device

Current relay – (electromechanical). RSIR/CSIR motors and CSR low/medium-power motors with NTC (the NTC is connected in series with the starting capacitor and the main propose is to reduce the current peaks in the relay contacts)

Potential relay – (electromechanical). CSR high-power motors.

PTC – (Positive Temperature Coefficient), the resistance increases with the temperature. Device only with RSIR or RSCR motors in the D, L and P ranges.

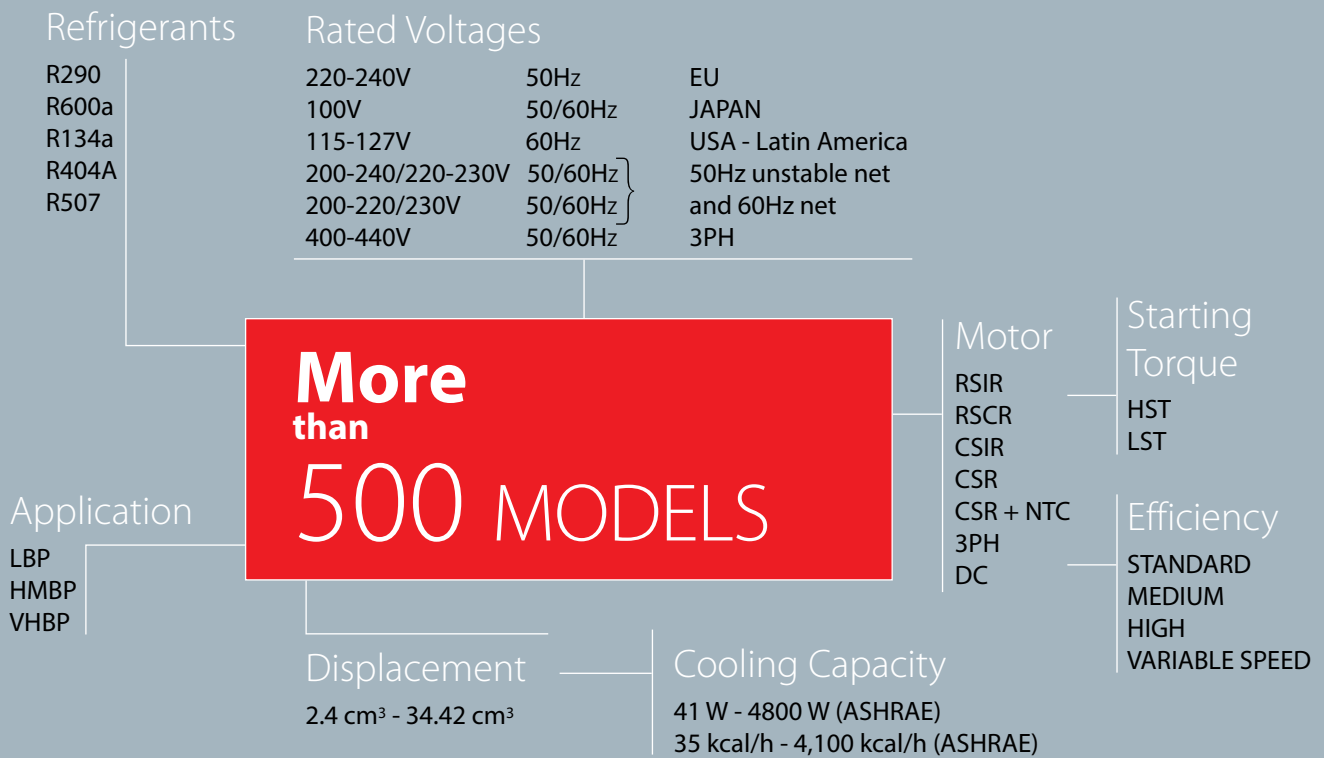
NTC – (Negative Temperature Coefficient), the resistance decreases with the temperature. Used in some CSR in order to reduce dimensions and components.

Type of torque

LST – Low Starting Torque – Systems with capillary tube or balanced pressures at start up.

HST – High Starting Torque – Systems with expansion valve or capillary tube, with unbalanced pressures at start up.

Compressor Summary



How to read this Catalogue

Compressors

Indicates Green Cooling models	R404A		HMBP HBP		50 Hz		Voltage	Motor	Starting Device	Expansion	Cooling capacity CECOMAF & ASHRAE	REFRIGERATION CAPACITY						Weight Kg	Design reference	
	MODEL	DANFOSS CODE	DISPLACEMENT cm ³	POWER hp	APPLICATION	CPR COOLING						VOLTAGE FREQUENCY	COP in W/W Evaporating Temperature °C							
													CECOMAF (W)			ASHRAE				
													-15	5		10	7.2			
														W	COP		kcal/h			W
	ML40TB	123B2501	4.05	1/6	HMBP	F	220-240V 50Hz	CSIR	R	C-V	214	473	1.43	558	510	590	1.74	10.0	Lc	
	ML40TG	123B2502	4.05	1/6	HMBP	F	200-240/220-230V 50/60Hz	CSIR	R	C-V	214	473	1.43	558	510	590	1.74	10.0	Lc	
	ML45TB	123B2503	4.50	1/5	HMBP	F	220-240V 50Hz	CSIR	R	C-V	238	528	1.49	624	570	660	1.82	10.1	Lc	
	ML45TG	123B2504	4.50	1/5	HMBP	F	200-240/220-230V 50/60Hz	CSIR	R	C-V	238	528	1.49	624	570	660	1.82	10.0	Lc	
🟢	MLY60RAa	123B2505	5.98	1/4	HMBP	F	220-240V 50Hz	CSIR	R	C-V	346	766	1.77	902	825	955	2.15	10.5	Lc	
🟢	MLY60RAb	123B2506	5.98	1/4	HMBP	F	220-240V 50Hz	CSR	R	C-V	346	766	1.93	902	825	955	2.36	10.5	Lc	
	ML60TB	123B2507	5.68	1/4	HMBP	F	220-240V 50Hz	CSIR	R	C-V	277	647	1.53	769	700	810	1.85	10.1	Lc	
	ML60TG	123B2508	5.68	1/4	HMBP	F	200-220/230V 50/60Hz	CSIR	R	C-V	277	647	1.53	769	700	810	1.85	10.0	Lc	
🟢	MLY80RAa	123B2509	8.10	3/8	HMBP	F	220-240V 50Hz	CSIR	R	C-V	463	1055	1.86	1250	1140	1319	2.27	10.2	Ld	
🟢	MLY80RAb	123B2510	8.10	3/8	HMBP	F	220-240V 50Hz	CSR	R	C-V	463	1055	2.02	1250	1140	1319	2.46	10.2	Ld	
	ML80TB	123B2511	7.57	3/8	HMBP	F	220-240V 50Hz	CSIR	R	C-V	385	880	1.63	1040	950	1100	1.99	11.4	Ld	
	ML80TG	123B2512	7.57	3/8	HMBP	F	200-240/220-230V 50/60Hz	CSIR	R	C-V	385	880	1.63	1040	950	1100	1.99	11.2	Ld	
🟢	MLY90RAa	123B2513	9.09	3/8	HMBP	F	220-240V 50Hz	CSIR	R	C-V	512	1132	1.75	1334	1220	1412	2.13	11.3	Ld	
🟢	MLY90RAb	123B2514	9.09	3/8	HMBP	F	220-240V 50Hz	CSR	R	C-V	511	1136	1.92	1340	1225	1418	2.34	11.3	Ld	
	ML90TB	123B2515	8.86	3/8	HMBP	F	220-240V 50Hz	CSIR	R	C-V	463	1055	1.63	1250	1140	1319	1.98	11.6	Ld	
	ML90TG	123B2516	8.86	3/8	HMBP	F	200-220/230V 50/60Hz	CSIR	R	C-V	463	1055	1.63	1250	1140	1319	1.98	12.7	Ld	
🟢	MLY12RGa (**)	123B2701	10.70	3/8	HBP	F	200-240/220-230V 50/60Hz	CSIR	R	C-V	582	1327	1.73	1572	1434	1660	2.11	10.4	Ld	
🟢	MLY12RGb (**)	123B2702	10.70	3/8	HBP	F	200-240/220-230V 50/60Hz	CSR	R	C-V	582	1327	1.89	1572	1434	1660	2.3	10.4	Ld	
	MP12TG	123B2517	12.05	1/2	HMBP	F	200-220/220-230V 50/60Hz	CSR	R	C-V	634	1463	1.85	1732	1580	1829	2.25	13.5	Pd	
🟢	MPT12RA	123B2518	12.10	3/8	HMBP	F	220-240V 50Hz	CSR	R	C-V	676	1560	1.93	1845	1685	1950	2.35	12.6	Pd	
🟢	MPT12RG (**)	123B2703	12.10	3/8	HBP	F	200-240/220-230V 50/60Hz	CSR	R	C-V	676	1560	1.89	1845	1685	1950	2.30	12.6	Pd	
🟢	MPT14RA	123B2704	14.32	1/2	HBP	F	220-240V 50Hz	CSR	R	C-V	784	1760	1.81	2078	1900	2199	2.20	13.5	Pd	
🟢	MPT14RG (**)	123B2705	14.32	1/2	HBP	F	200-240/220-230V 50/60Hz	CSR	R	C-V	784	1760	1.79	2078	1900	2199	2.17	13.5	Pd	
🔴	MX16TBa	123B2706	16.03	3/4	HBP	F	220-240V 50Hz	CSR	R	C-V	818	1880	1.76	2225	2030	2350	2.15	16.2	Xc	
🔴	MX18TBa	123B2707	18.40	7/8	HBP	F	220-240V 50Hz	CSR	R	C-V	937	2157	1.78	2554	2330	2697	2.18	16.0	Xd	
	MX18TG	123B2519	18.40	7/8	HMBP	F	200-220/220-230V 50/60Hz	CSR	R	C-V	937	2157	1.78	2554	2330	2697	2.18	17.0	Xd	
🔴	MX21TBa	123B2708	20.73	2	HBP	F	220-240V 50Hz	CSR	R	C-V	1052	2425	1.78	2873	2620	3032	2.16	17.5	Xd	
	MX21TG	123B2709	20.72	1	HBP	F	200-220/230V 50/60Hz	CSR	R	C-V	1052	2425	1.77	2873	2620	3032	2.15	17.6	Xd	
	MS22TB	123B2521	21.75	1	HMBP	F	220-240V 50Hz	CSR	R	C-V	972	2566	2.04	3077	2789	3228	2.50	20.5	Sc	
	MS26TB	123B2523	25.93	1 3/8	HMBP	F	220-240V 50Hz	CSR	R	C-V	1295	3185	2.02	3789	3449	3992	2.46	23.0	Sd	
	MS26TG	123B2524	25.93	1 3/8	HMBP	F	200-220/230V 50/60Hz	CSR	R	C-V	1295	3186	2.02	3791	3451	3994	2.46	23.0	Sd	
	MS34TB	123B2710	34.42	1 5/8	HBP	F	220-240V 50Hz	CSR	R	C-V	1860	4231	1.92	4959	4551	5267	2.30	22.7	Sd	
	MS34TG	123B2711	34.42	1 5/8	HBP	F	200-220/230V 50/60Hz	CSR	R	C-V	1860	4231	1.92	4959	4551	5267	2.30	22.7	Sd	
	MS18T3	123B2520	18.10	7/8	HMBP	F	400/440V 50/60Hz	3PHASE	R	C-V	838	2137	1.92	2557	2320	2685	2.35	20.0	Sb	
	MS22T3	123B2522	21.75	1	HMBP	F	400/440V 50/60Hz	3PHASE	R	C-V	975	2576	2.01	3090	2800	3241	2.45	20.0	Sb	
	MS26T3	123B2525	25.93	1 3/8	HMBP	F	400/440V 50/60Hz	3PHASE	R	C-V	1295	3186	2.01	3791	3451	3994	2.45	18.6	Sd	
	MS34T3	123B2526	34.42	1 5/8	HMBP	F	400/440V 50/60Hz	3PHASE	R	C-V	1860	4231	1.82	4958	4551	5267	2.20	22.8	Sd	

Indicates Green Cooling models

Indicates New models

R134a



Danfoss Light Commercial Refrigeration Compressors

R134a (*) LBP • 50 Hz

MODEL	DANFOSS CODE (†)	DISPLACEMENT cm ³	POWER hp	APPLICATION	CPR COOLING	VOLTAGE FREQUENCY	MOTOR	STARTING	EXPANSION	REFRIGERATION CAPACITY						WEIGHT Kg	DESIGN	
										COP in W/W Evaporating Temperature °C								
										CECOMAF (W)			ASHRAE					
										-30	-25	-10	-23.3	-23.3	-23.3			
	W	COP	W	COP	W	COP												
GD24AA	123B1101	2.44	1/20	LBP	S	220-240V 50Hz	RSIR	P	C	22	34	0.51	85	41	47	0.68	5.3	Db
GD30AA	123B1102	3.08	1/12	LBP	S	220-240V 50Hz	RSIR	P	C	36	52	0.74	117	62	72	0.96	5.6	Dc
GD30AG	123B1103	3.08	1/12	LBP	S	200-220/220-230V 50/60Hz	RSIR	P	C	34	49	0.6	111	58	67	0.79	5.9	Dc
GD36AA	123B1104	3.62	1/12	LBP	S	220-240V 50Hz	RSIR	P	C	43	61	0.76	136	72	83	0.99	5.7	Dc
GD36AFa	123B1105	3.62	1/12	LBP	S	200-220/230V 50/60Hz	RSIR	P	C	40	58	0.63	128	68	79	0.83	5.9	Dc
GD36AFb	123B1106	3.62	1/12	LBP	S	200-220/230V 50/60Hz	CSIR	R	C-V	40	58	0.63	128	68	79	0.83	5.9	Dc
GD40AA	123B1107	4.06	1/10	LBP	S	220-240V 50Hz	RSIR	P	C	50	70	0.77	155	82	95	1.00	6.1	Dd
GD40AF	123B1108	4.06	1/10	LBP	S	200-220/220-230V 50/60Hz	RSIR	P	C	47	66	0.67	147	78	90	0.88	6.8	Dd
 GLY45AAa	123B1109	4.56	1/8	LBP	S	220-240V 50Hz	RSIR	P	C	65	89	1.01	192	104	120	1.30	8.7	Lb
 GLY45AAb	123B1110	4.56	1/8	LBP	S	220-240V 50Hz	RSCR	P	C	66	90	1.05	193	105	122	1.36	8.7	Lb
GL45AAa	123B1111	4.56	1/8	LBP	S	220-240V 50Hz	RSIR	P	C	57	81	0.81	184	96	111	1.06	7.9	Lb
GL45AAb	123B1112	4.56	1/8	LBP	S	220-240V 50Hz	CSIR	R	C-V	57	81	0.81	184	96	111	1.06	7.9	Lb
GL45ANa	123B1113	4.56	1/8	LBP	S	200-240/220-230V 50/60Hz	RSIR	P	C	56	80	0.78	184	95	110	1.03	8.4	Lb
 GLY60AAa	123B1114	5.98	1/6	LBP	S	220-240V 50Hz	RSIR	P	C	85	119	1.03	255	139	161	1.34	8.7	Lb
 GLY60AAb	123B1115	5.98	1/6	LBP	S	220-240V 50Hz	RSCR	P	C	86	120	1.10	256	140	162	1.42	8.7	Lb
GL60AAa	123B1116	5.98	1/6	LBP	S	220-240V 50Hz	RSIR	P	C	75	107	0.85	239	126	146	1.10	8.4	Lb
GL60AAb	123B1117	5.98	1/6	LBP	S	220-240V 50Hz	CSIR	R	C-V	75	107	0.85	239	126	146	1.10	8.4	Lb
GL60ANa	123B1118	5.98	1/6	LBP	S	200-240/220-230V 50/60Hz	RSIR	P	C	82	114	0.83	244	133	154	1.09	9.1	Lc
GL60ANb	123B1119	5.98	1/6	LBP	F	200-240/220-230V 50/60Hz	CSIR	R	C-V	82	114	0.83	244	133	154	1.09	9.1	Lc
GL60ANc	123B1120	5.98	1/6	LBP	S	200-240/220-230V 50/60Hz	CSIR	R	C-V	82	114	0.83	244	133	154	1.09	9.1	Lc
 GLY80AAa	123B1121	8.10	1/5	LBP	S	220-240V 50Hz	RSIR	P	C	123	164	1.07	349	191	221	1.37	10.0	Lc
 GLY80AAb	123B1122	8.10	1/5	LBP	S	220-240V 50Hz	RSCR	P	C	124	165	1.13	351	192	222	1.45	10.0	Lc
GL80AAa	123B1123	8.10	1/5	LBP	S	220-240V 50Hz	RSIR	P	C	102	144	0.89	326	170	197	1.15	9.0	Lc
GL80AAb	123B1124	8.10	1/5	LBP	S	220-240V 50Hz	CSIR	R	C-V	102	144	0.89	326	170	197	1.15	9.0	Lc
GL80ANa	123B1125	8.10	1/5	LBP	S	200-220/220-230V 50/60Hz	RSIR	P	C	107	148	0.83	331	174	201	1.09	9.8	Ld
GL80ANb	123B1126	8.10	1/5	LBP	F	200-220/220-230V 50/60Hz	CSIR	R	C-V	107	148	0.83	331	174	201	1.09	9.8	Ld
GL80ANc	123B1127	8.10	1/5	LBP	S	200-220/220-230V 50/60Hz	CSIR	R	C-V	107	148	0.83	331	174	201	1.09	9.8	Ld
 GLY90AAa	123B1128	9.09	1/4	LBP	S	220-240V 50Hz	RSIR	P	C	140	186	1.07	387	216	250	1.37	10.5	Ld
 GLY90AAb	123B1129	9.09	1/4	LBP	S	220-240V 50Hz	RSCR	P	C	140	187	1.13	388	217	251	1.45	10.5	Ld
GL90AAa	123B1130	9.09	1/4	LBP	S	220-240V 50Hz	RSIR	P	C	119	165	0.90	351	193	223	1.15	9.4	Lc
GL90AAb	123B1131	9.09	1/4	LBP	S	220-240V 50Hz	CSIR	R	C-V	119	165	0.90	351	193	223	1.15	9.4	Lc
GL90ANa	123B1132	9.09	1/4	LBP	S	200-220/220-230V 50/60Hz	RSIR	P	C	118	163	0.84	366	191	221	1.10	10.4	Ld
GL90ANb	123B1133	9.09	1/4	LBP	F	200-220/220-230V 50/60Hz	CSIR	R	C-V	118	163	0.84	366	191	221	1.10	10.4	Ld
GL90ANc	123B1134	9.09	1/4	LBP	S	200-220/220-230V 50/60Hz	CSIR	R	C-V	118	163	0.84	366	191	221	1.10	10.4	Ld
 GPY12AAa	123B1135	12.10	3/8	LBP	S	220-240V 50Hz	RSIR	P	C	178	241	0.96	500	280	324	1.23	11.5	Pd
 GPY12AAb	123B1136	12.10	3/8	LBP	S	220-240V 50Hz	RSCR	P	C	178	241	1.04	500	280	324	1.33	11.5	Pd
 GPY12La	123B1137	12.10	3/8	LBP	F	220-240V 50Hz	CSIR	R	C-V	162	225	1.00	509	265	307	1.30	12.1	Pd
 GPY12Lab	123B1138	12.10	3/8	LBP	F	220-240V 50Hz	CSR	R	C-V	162	225	1.06	509	265	307	1.38	12.1	Pd
GP12CB	123B1139	12.05	1/3	LBP	F	220-240V 50Hz	RSIR	R	C	132	190	0.88	424	225	260	1.14	11.5	Pc
GP12FB	123B1140	12.05	1/3	LBP	F	220-240V 50Hz	CSIR	R	C-V	132	190	0.88	424	225	260	1.14	11.5	Pc
GP14CB	123B1141	14.17	3/8	LBP	F	220-240V 50Hz	RSIR	R	C	158	228	0.90	509	270	313	1.16	11.5	Pc
GP14CG	123B1142	14.17	3/8	LBP	F	200-220/220-230V 50/60Hz	RSIR	R	C	158	228	0.83	509	270	313	1.08	11.5	Pc
GP14FB	123B1143	14.17	3/8	LBP	F	220-240V 50Hz	CSIR	R	C-V	158	228	0.90	509	270	313	1.16	11.5	Pc
GP14FC	123B1144	14.17	3/8	LBP	F	100V 50/60Hz	CSIR	R	C-V	158	228	0.73	509	270	313	0.95	12.9	Pd

 Green Cooling Models

(*) Or HFO1234yf



See design drawing on pages 40-41

(†) Ordering code for single compressors. For pallet packed compressors, please use 123F instead of 123B







This table continues in the following page

Danfoss Light Commercial Refrigeration Compressors


R134a (*) LBP • 50 Hz

MODEL	DANFOSS CODE (†)	DISPLACEMENT cm ³	POWER hp	APPLICATION	CPR COOLING	VOLTAGE FREQUENCY	MOTOR	STARTING	EXPANSION	REFRIGERATION CAPACITY						WEIGHT Kg	DESIGN	
										COP in W/W Evaporating Temperature °C								
										CECOMAF (W)			ASHRAE					
										-30	-25		-10	-23.3				
	W	COP		kcal/h	W	COP												
 GPY16La	123B1145	16.15	3/8	LBP	F	220-240V 50Hz	CSIR	R	C-V	211	305	1.01	682	360	417	1.31	12.6	Pd
 GPY16Lab	123B1146	16.15	3/8	LBP	F	220-240V 50Hz	CSR	R	C-V	211	305	1.07	682	360	417	1.41	12.6	Pd
GP16CB	123B1147	16.15	3/8	LBP	F	220-240V 50Hz	RSIR	R	C	182	266	0.89	585	315	365	1.14	12.0	Pd
GP16FB	123B1148	16.15	3/8	LBP	F	220-240V 50Hz	CSIR	R	C-V	182	266	0.89	585	315	365	1.14	12.0	Pd
GP16FC	123B1149	16.15	3/8	LBP	F	100V 50/60Hz	CSIR	R	C-V	182	266	0.78	585	315	365	1.02	12.9	Pd

R134a (*) LMBP | LBP • 60 Hz

MODEL	DANFOSS CODE (†)	DISPLACEMENT cm ³	POWER hp	APPLICATION	CPR COOLING	VOLTAGE FREQUENCY	MOTOR	STARTING	EXPANSION	REFRIGERATION CAPACITY						WEIGHT Kg	DESIGN	
										COP in W/W Evaporating Temperature °C								
										CECOMAF (W)			ASHRAE					
										-30	-25		-10	-23.3				
	W	COP		kcal/h	W	COP												
GD24ADa	123B1150	2.44	1/20	LBP	S	115V 60Hz	RSIR	P	C	26	40	0.52	100	48	56	0.70	5.1	Db
GD24ADb	123B1151	2.44	1/20	LBP	S	115V 60Hz	CSIR	R	C-V	26	40	0.52	100	48	56	0.70	5.1	Db
GD36AD	123B1152	3.62	1/12	LBP	S	115V 60Hz	RSIR	P	C	47	68	0.65	150	80	93	0.85	6.7	Dc
GL45ADa	123B1153	4.56	1/8	LBP	S	115V 60Hz	RSIR	P	C	65	95	0.80	215	112	130	1.05	8.1	Lb
GL45ADb	123B1154	4.56	1/8	LBP	S	115V 60Hz	CSIR	R	C-V	65	95	0.80	215	112	130	1.05	8.1	Lb
GL60ADa	123B1155	5.98	1/6	LBP	S	115V 60Hz	RSIR	P	C	95	132	0.85	290	155	179	1.10	9.1	Lb
GL60ADb	123B1156	5.98	1/6	LBP	S	115V 60Hz	CSIR	R	C-V	95	132	0.85	290	155	179	1.10	9.1	Lb
 GUY60NR (**)	123B1301	6.0	1/5	LMBP	F	115-127V 60Hz	CSIR	R	C	113	158	1.15	362	185	214	1.49	9.00	Ub
 GUY70NR	123B1302	6.7	1/5	LMBP	F	115-127V 60Hz	CSIR	R	C	121	166	1.15	386	194	225	1.49	9.30	Ub
GL80ADa	123B1157	8.10	1/5	LBP	S	115V 60Hz	RSIR	P	C	122	171	0.87	384	201	233	1.13	9.8	Lc
GL80ADb	123B1158	8.10	1/5	LBP	S	115V 60Hz	CSIR	R	C-V	122	171	0.87	384	201	233	1.13	9.8	Lc
 GUY80NR (**)	123B1303	8.1	1/4	LMBP	F	115-127V 60Hz	CSIR	R	C	151	209	1.14	480	245	284	1.49	9.60	Ub
GL90ADa	123B1159	9.09	1/4	LBP	S	115V 60Hz	RSIR	P	C	138	191	0.88	421	224	259	1.14	10.5	Ld
GL90ADb	123B1160	9.09	1/4	LBP	S	115V 60Hz	CSIR	R	C-V	138	191	0.88	421	224	259	1.14	10.5	Ld
GL99ADa	123B1161	9.95	1/4	LBP	S	115V 60Hz	RSIR	P	C	148	205	0.89	439	240	278	1.15	10.8	Ld
GL99ADb	123B1162	9.95	1/4	LBP	S	115V 60Hz	CSIR	R	C-V	148	205	0.89	439	240	278	1.15	10.8	Ld
 GLY12NRa (**)	123B1304	10.7	3/8	LMBP	F	115-127V 60Hz	CSIR	R	C-V	173	239	1.03	512	280	324	1.34	11.2	Ld
 GLY12NRb (**)	123B1305	10.7	3/8	LMBP	F	115-127V 60Hz	CSR	R	C-V	173	239	1.09	512	280	324	1.42	11.2	Ld
 GUY11NR (**)	123B1306	10.6	3/8	LMBP	F	115-127V 60Hz	CSIR	R	C-V	189	261	1.09	598	305	353	1.42	9.90	Uc
GP14FE	123B1163	14.17	3/8	LBP	F	115V 60Hz	CSIR	R	C-V	185	267	0.72	596	316	366	0.94	12.9	Pd
GP14FC	123B1144	14.17	3/8	LBP	F	100V 50/60Hz	CSIR	R	C-V	185	267	0.83	596	316	366	1.08	12.9	Pd
GP16FE	123B1164	16.15	3/8	LBP	F	115V 60Hz	CSIR	R	C-V	209	306	0.77	672	362	419	1.00	12.9	Pd
GP16FC	123B1149	16.15	3/8	LBP	F	100V 50/60Hz	CSIR	R	C-V	209	306	0.88	672	362	419	1.14	12.9	Pd
GD30AG	123B1103	3.08	1/12	LBP	S	200-220/220-230V 50/60Hz	RSIR	P	C	39	57	0.67	130	68	79	0.88	5.9	Dc
GD36AFa	123B1105	3.62	1/12	LBP	S	200-220/230V 50/60Hz	RSIR	P	C	47	68	0.65	150	80	93	0.86	5.9	Dc
GD36AFb	123B1106	3.62	1/12	LBP	S	200-220/230V 50/60Hz	CSIR	R	C-V	47	68	0.65	150	80	93	0.86	5.9	Dc
GD40AF	123B1108	4.06	1/10	LBP	S	200-220/220-230V 50/60Hz	RSIR	P	C	54	77	0.70	172	91	105	0.91	6.8	Dd

 Green Cooling Models

 New Models

(*) Or HFO1234yf

(**) Model under development. Provisional performance/data.

See design drawing on pages 40-41

(†) Ordering code for single compressors. For pallet packed compressors, please use 123F instead of 123B

This table continues in the following page

Danfoss Light Commercial Refrigeration Compressors

R134a (*) LMBP | LBP • 60 Hz

MODEL	DANFOSS CODE (†)	DISPLACEMENT cm ³	POWER hp	APPLICATION	CPR COOLING	VOLTAGE FREQUENCY	MOTOR	STARTING	EXPANSION	REFRIGERATION CAPACITY								WEIGHT Kg	DESIGN
										COP in W/W Evaporating Temperature °C									
										CECOMAF (W)				ASHRAE					
										-30	-25		-10	-23.3			Kg		
											W	COP		kcal/h	W	COP			
GL45ANa	123B1113	4.56	1/8	LBP	S	200-240/220-230V 50/60Hz	RSIR	P	C	65	93	0.83	213	110	127	1.09	8.4	Lb	
GL60ANa	123B1118	5.98	1/6	LBP	S	200-240/220-230V 50/60Hz	RSIR	P	C	95	131	0.88	285	153	177	1.15	9.1	Lc	
GL60ANb	123B1119	5.98	1/6	LBP	F	200-240/220-230V 50/60Hz	CSIR	R	C-V	95	131	0.88	285	153	177	1.15	9.1	Lc	
GL60ANc	123B1120	5.98	1/6	LBP	S	200-240/220-230V 50/60Hz	CSIR	R	C-V	95	131	0.88	285	153	177	1.15	9.1	Lc	
GL80ANa	123B1125	8.10	1/5	LBP	S	200-220/220-230V 50/60Hz	RSIR	P	C	124	172	0.92	385	202	234	1.19	9.8	Ld	
GL80ANb	123B1126	8.10	1/5	LBP	F	200-220/220-230V 50/60Hz	CSIR	R	C-V	124	172	0.92	385	202	234	1.19	9.8	Ld	
GL80ANc	123B1127	8.10	1/5	LBP	S	200-220/220-230V 50/60Hz	CSIR	R	C-V	124	172	0.92	385	202	234	1.19	9.8	Ld	
GL90ANa	123B1132	9.09	1/4	LBP	S	200-220/220-230V 50/60Hz	RSIR	P	C	134	185	0.93	421	218	252	1.20	10.4	Ld	
GL90ANb	123B1133	9.09	1/4	LBP	F	200-220/220-230V 50/60Hz	CSIR	R	C-V	134	185	0.93	421	218	252	1.20	10.4	Ld	
GL90ANc	123B1134	9.09	1/4	LBP	S	200-220/220-230V 50/60Hz	CSIR	R	C-V	134	185	0.93	421	218	252	1.20	10.4	Ld	
GP14CG	123B1142	14.17	3/8	LBP	F	200-220/220-230V 50/60Hz	RSIR	R	C	181	262	0.91	589	310	359	1.18	11.5	Pc	

Green Cooling Models








New Models

(*) Or HFO1234yf


See design drawing on pages 40-41

(†) Ordering code for single compressors. For pallet packed compressors, please use 123F instead of 123B

R134a (*) HMBP | HBP • 50 Hz

MODEL	DANFOSS CODE (a)	DISPLACEMENT cm ³	POWER hp	APPLICATION	CPR COOLING	VOLTAGE FREQUENCY	MOTOR	STARTING	EXPANSION	REFRIGERATION CAPACITY							WEIGHT Kg	DESIGN
										COP in W/W Evaporating Temperature °C								
										CECOMAF (W)				ASHRAE				
										-15	5		10	7.2				
											W	COP		kcal/h	W	COP		
GD24MBc	123B1701	2.44	1/14	HBP	S	220-240V 50Hz	CSIR	R	C-V	64	174	1.43	212	180	208	1.67	5.1	Db
GD30MBa	123B1501	3.08	1/10	HMBP	S	220-240V 50Hz	RSIR	P	C	88	233	1.52	282	240	278	1.74	5.8	Dc
GD30MBb	123B1502	3.08	1/10	HMBP	F	220-240V 50Hz	RSIR	P	C	88	233	1.52	282	240	278	1.74	5.8	Dc
GD30MBc	123B1503	3.08	1/10	HMBP	S	220-240V 50Hz	CSIR	R	C-V	88	233	1.52	282	240	278	1.74	5.8	Dc
GD30MBd	123B1504	3.08	1/10	HMBP	F	220-240V 50Hz	CSIR	R	C-V	88	233	1.52	282	240	278	1.74	5.8	Dc
GD36MBa	123B1505	3.62	1/10	HMBP	S	220-240V 50Hz	RSIR	P	C	96	261	1.52	318	270	313	1.74	6.7	Dd
GD36MBb	123B1506	3.62	1/10	HMBP	F	220-240V 50Hz	RSIR	P	C	96	261	1.52	318	270	313	1.74	6.7	Dd
GD36MBc	123B1507	3.62	1/10	HMBP	S	220-240V 50Hz	CSIR	R	C-V	96	261	1.52	318	270	313	1.74	6.7	Dd
GD36MBd	123B1508	3.62	1/10	HMBP	F	220-240V 50Hz	CSIR	R	C-V	96	261	1.52	318	270	313	1.74	6.7	Dd
GD40MBa	123B1509	4.06	1/8	HMBP	S	220-240V 50Hz	RSIR	P	C	117	301	1.56	363	310	359	1.8	6.7	Dd
GD40MBb	123B1510	4.06	1/8	HMBP	F	220-240V 50Hz	RSIR	P	C	117	301	1.56	363	310	359	1.8	6.7	Dd
GD40MBc	123B1511	4.06	1/8	HMBP	S	220-240V 50Hz	CSIR	R	C-V	117	301	1.56	363	310	359	1.8	6.7	Dd
GD40MBd	123B1512	4.06	1/8	HMBP	F	220-240V 50Hz	CSIR	R	C-V	117	301	1.56	363	310	359	1.8	6.7	Dd
 GD40MGd	123B1703	4.06	1/8	HBP	F	230V 50/60Hz	CSIR	R	C-V	117	301	1.62	363	310	359	1.85	6.7	Dd
 GLY45RAa	123B1513	4.56	1/6	HMBP	F	220-240V 50Hz	CSIR	R	C-V	140	374	1.96	451	385	446	2.25	8.8	Lb
 GLY45RAb	123B1514	4.56	1/6	HMBP	F	220-240V 50Hz	CSR	R	C-V	140	374	2.13	451	385	446	2.46	8.8	Lb
GL45PB	123B1515	4.50	1/6	HMBP	F	220-240V 50Hz	RSIR	R	C	134	342	1.62	413	352	407	1.86	8.4	Lb
GL45TB	123B1516	4.50	1/6	HMBP	F	220-240V 50Hz	CSIR	R	C-V	134	342	1.62	413	352	407	1.86	8.0	Lb
GL45MG	123B1704	4.50	1/6	HBP	S	230V 50/60Hz	CSIR	R	C-V	133	342	1.69	412	352	407	1.95	8.8	Lb
GL45TG	123B1517	4.50	1/6	HMBP	F	200-240/220-230V 50/60Hz	CSIR	R	C-V	134	342	1.68	413	352	407	1.95	8.8	Lb
 GLY60RAa	123B1518	5.98	1/5	HMBP	F	220-240V 50Hz	CSIR	R	C-V	191	486	2.06	586	500	579	2.36	9.9	Lc
 GLY60RAb	123B1519	5.98	1/5	HMBP	F	220-240V 50Hz	CSR	R	C-V	191	486	2.25	586	500	579	2.60	9.9	Lc
GL60PB	123B1520	5.68	1/5	HMBP	F	220-240V 50Hz	RSIR	R	C	170	437	1.82	528	450	521	2.09	9.5	Lc
GL60TB	123B1521	5.68	1/5	HMBP	F	220-240V 50Hz	CSIR	R	C-V	170	437	1.82	528	450	521	2.09	8.6	Lb
GL60TG	123B1522	5.68	1/5	HMBP	F	200-240/220-230V 50/60Hz	CSIR	R	C-V	170	437	1.82	528	450	521	2.09	9.9	Lc
GL60MG	123B1705	5.68	1/5	HBP	S	230V 50/60Hz	CSIR	R	C-V	155	429	1.71	526	445	515	1.99	9.9	Lb
GL60TC	123B1523	5.68	1/5	HMBP	F	100V 50/60Hz	CSIR	R	C-V	170	437	1.73	528	450	521	2.01	9.8	Lc
 GLY80RAa	123B1524	8.10	1/5	HMBP	F	220-240V 50Hz	CSIR	R	C-V	275	681	2.17	819	700	810	2.50	10.4	Lc
 GLY80RAb	123B1525	8.10	1/5	HMBP	F	220-240V 50Hz	CSR	R	C-V	275	681	2.35	819	700	810	2.71	10.4	Lc

 Green Cooling Models

 New Models

(*) Or HFO1234yf
















See design drawing on pages 40-41

(a) Ordering code for single compressors. For pallet packed compressors, please use 123F instead of 123B


This table continues in the following page

Danfoss Light Commercial Refrigeration Compressors

R134a (*) HMBP | HBP • 50 Hz

MODEL	DANFOSS CODE (a)	DISPLACEMENT cm ³	POWER hp	APPLICATION	CPR COOLING	VOLTAGE FREQUENCY	MOTOR	STARTING	EXPANSION	REFRIGERATION CAPACITY							WEIGHT Kg	DESIGN
										COP in W/W Evaporating Temperature °C								
										CECOMAF (W)			ASHRAE					
										-15	5		10	7.2				
W	COP	kcal/h	W	COP														
GL80PB	123B1526	7.57	1/5	HMBP	F	220-240V 50Hz	RSIR	R	C	212	554	1.83	668	570	660	2.10	9.5	Lc
GL80TB	123B1527	7.57	1/5	HMBP	F	220-240V 50Hz	CSIR	R	C-V	212	554	1.83	668	570	660	2.10	9.2	Lc
GL80TG	123B1528	7.57	1/5	HMBP	F	200-220/220-230V 50/60Hz	CSIR	R	C-V	212	554	1.83	668	570	660	2.10	10.1	Lc
GL80MG	123B1706	7.57	1/5	HBP	S	230V 50/60Hz	CSIR	R	C-V	220	579	1.80	709	600	694	2.11	10.1	Lc
GL80TC	123B1529	7.57	1/5	HMBP	F	100V 50/60Hz	CSIR	R	C-V	212	554	1.87	668	570	660	2.21	10.4	Lc
 GLY90RAa	123B1530	9.09	1/4	HMBP	F	220-240V 50Hz	CSIR	R	C-V	298	748	2.06	901	770	891	2.37	10.5	Lc
 GLY90RAb	123B1531	9.09	1/4	HMBP	F	220-240V 50Hz	CSR	R	C-V	298	748	2.27	901	770	891	2.61	10.5	Lc
GL90PB	123B1532	8.85	1/4	HMBP	F	220-240V 50Hz	RSIR	R	C	259	661	1.91	796	680	787	2.20	10.8	Ld
GL90TB	123B1533	8.85	1/4	HMBP	F	220-240V 50Hz	CSIR	R	C-V	259	661	1.91	796	680	787	2.20	9.6	Lc
GL90TG	123B1534	8.85	1/4	HMBP	F	200-220/220-230V 50/60Hz	CSIR	R	C-V	259	661	1.81	796	680	787	2.08	10.8	Ld
GL90MG	123B1707	8.85	1/4	HBP	S	230V 50/60Hz	CSIR	R	C-V	242	665	1.81	803	685	793	2.10	10.8	Ld
GL90TC	123B1535	8.85	1/4	HMBP	F	100V 50/60Hz	CSIR	R	C-V	259	661	1.76	796	680	787	2.08	10.9	Ld
 GLY12RAa	123B1708	10.7	3/8	HBP	F	220-240V 50Hz	CSIR	R	C-V	698	882	2.01	1064	900	1042	2.29	10.3	Ld
 GLY12RAb	123B1709	10.7	3/8	HBP	F	220-240V 50Hz	CSR	R	C-V	698	882	2.25	1064	900	1042	2.56	10.3	Ld
 GLY12RGa	123B1710	10.7	3/8	HBP	F	200-220/220-230V 50/60Hz	CSIR	R	C-V	698	882	1.87	1064	900	1042	2.13	11.3	Ld
 GLY12RGb	123B1711	10.7	3/8	HBP	F	200-220/220-230V 50/60Hz	CSR	R	C-V	698	882	2.02	1064	900	1042	2.3	11.3	Ld
 GPY12RAa	123B1536	12.10	3/8	HMBP	F	220-240V 50Hz	CSIR	R	C-V	401	993	2.05	1192	1020	1181	2.35	12.6	Pd
 GPY12RAb	123B1537	12.10	3/8	HMBP	F	220-240V 50Hz	CSR	R	C-V	401	993	2.24	1192	1020	1181	2.58	12.6	Pd
GP14PB	123B1538	14.17	3/8	HMBP	F	220-240V 50Hz	RSIR	R	C	373	999	1.77	1209	1030	1192	2.03	11.5	Pd
GP14TB	123B1712	14.17	3/8	HBP	F	220-240V 50Hz	CSIR	R	C-V	373	999	1.77	1209	1030	1192	2.03	11.2	Pd
GP14TG	123B1539	14.17	3/8	HMBP	F	200-220/220-230V 50/60Hz	CSIR	R	C-V	373	999	1.77	1209	1030	1192	2.03	12.9	Pd
 GPY14RAa	123B1540	14.32	3/8	HMBP	F	220-240V 50Hz	CSIR	R	C-V	492	1161	1.98	1386	1190	1377	2.27	12.6	Pd
 GPY14RAb	123B1541	14.32	3/8	HMBP	F	220-240V 50Hz	CSR	R	C-V	492	1161	2.18	1386	1190	1377	2.50	12.6	Pd
GP16TB	123B1713	16.15	3/8	HBP	F	220-240V 50Hz	CSIR	R	C-V	476	1205	1.81	1452	1240	1435	2.09	13.1	Pd
GP16TG	123B1714	16.15	3/8	HBP	F	200-220/230V 50/60Hz	CSIR	R	C-V	476	1205	1.82	1452	1240	1435	2.09	12.9	Pd
 GPY16RAa	123B1542	16.15	3/8	HMBP	F	220-240V 50Hz	CSIR	R	C-V	522	1248	2.20	1490	1351	1564	2.31	12.8	Pd
 GPY16RAb	123B1543	16.15	3/8	HMBP	F	220-240V 50Hz	CSR	R	C-V	522	1248	2.38	1490	1351	1564	2.50	12.8	Pd
 GPT16RG	123B1715	16.15	1/2	HBP	F	200-220/220-230V 50/60Hz	CSR	R	C-V	539	1364	2.08	1644	1404	1625	2.39	12.3	Pd
 GPT18RA	123B1716	18.0	1/2	HBP	F	220-240V 50Hz	CSR	R	C-V	1215	1495	2.10	1783	1525	1765	2.38	12.70	Pd
GX18TB	123B1544	18.40	1/2	HMBP	F	220-240V 50Hz	CSIR	R	C-V	539	1390	1.91	1674	1430	1655	2.20	15.0	Xc
GX18TG	123B1545	18.40	1/2	HMBP	F	200-220/220-230V 50/60Hz	CSIR	R	C-V	539	1390	1.91	1674	1430	1655	2.20	15.9	Xc
GX21TB	123B1546	20.72	5/8	HMBP	F	220-240V 50Hz	CSIR	R	C-V	603	1550	1.90	1867	1595	1846	2.18	17.0	Xd
GX23TB	123B1547	23.20	5/8	HMBP	F	220-240V 50Hz	CSIR	R	C-V	678	1730	1.89	2083	1780	2060	2.18	17.0	Xd
GX23TG	123B1548	23.20	5/8	HMBP	F	200-220/220-230V 50/60Hz	CSIR	R	C-V	678	1730	1.80	2083	1780	2060	2.08	17.0	Xd
GS26TB	123B1549	25.93	3/4	HMBP	F	220-240V 50Hz	CSIR	R	C-V	703	2071	2.09	2515	2140	2477	2.42	22.7	Sc
GS26TG	123B1550	25.93	3/4	HMBP	F	200-220/220-230V 50/60Hz	CSIR	R	C-V	703	2071	2.15	2515	2140	2477	2.49	22.7	Sc
GS30TB	123B1552	29.95	7/8	HMBP	F	220-240V 50Hz	CSR	R	C-V	786	2452	2.33	3020	2550	2951	2.70	22.7	Sd
GS30TG	123B1553	29.95	7/8	HMBP	F	200-220/220-230V 50/60Hz	CSR	R	C-V	786	2452	2.33	3020	2550	2951	2.70	23.0	Sd
GS34TB	123B1554	34.42	1	HMBP	F	220-240V 50Hz	CSR	R	C-V	1068	2852	2.28	3422	2931	3392	2.62	22.7	Sd
 GD24MCC (**)	123B1702	2.44	1/14	HBP	S	100V 50/60Hz	CSIR	R	C-V	66	181	1.44	220	188	218	1.68	5.1	Db
GS26T3	123B1551	25.93	3/4	HMBP	F	400/440V 50/60Hz	3PHASE	R	C-V	703	2071	2.21	2515	2140	2477	2.55	22.7	Sc

 Green Cooling Models

 New Models

(*) Or HFO1234yf

(**) Model under development. Provisional performance/data.

See design drawing on pages 40-41

(a) Ordering code for single compressors. For pallet packed compressors, please use 123F instead of 123B

R134a (*) HMBP | HBP • 60 Hz

MODEL	DANFOSS CODE (²)	DISPLACEMENT cm³	POWER hp	APPLICATION	CPR COOLING	VOLTAGE FREQUENCY	MOTOR	STARTING	EXPANSION	REFRIGERATION CAPACITY						WEIGHT Kg	DESIGN	
										COP in W/W Evaporating Temperature °C								
										CECOMAF (W)			ASHRAE					
										-15	5		10	7.2				
											W	COP		kcal/h	W			COP
GD24MEa	123B1555	2.44	1/14	HMBP	S	115V 60Hz	RSIR	P	C	75	203	1.41	247	210	243	1.63	5.1	Db
GD24MEc	123B1717	2.44	1/14	HBP	S	115V 60Hz	CSIR	R	C-V	75	203	1.41	247	210	243	1.63	5.1	Db
GD24MCc (**)	123B1702	2.44	1/14	HBP	S	100V 50/60Hz	CSIR	R	C-V	79	213	1.60	259	220	255	1.85	5.1	Db
GD30MEa	123B1556	3.08	1/10	HMBP	S	115V 60Hz	RSIR	P	C	104	272	1.43	330	281	325	1.63	5.8	Dc
GD30MEb	123B1557	3.08	1/10	HMBP	F	115V 60Hz	RSIR	P	C	104	272	1.43	330	281	325	1.63	5.8	Dc
GD30MEc	123B1558	3.08	1/10	HMBP	S	115V 60Hz	CSIR	R	C-V	104	272	1.43	330	281	325	1.63	5.8	Dc
GD30MEd	123B1559	3.08	1/10	HMBP	F	115V 60Hz	CSIR	R	C-V	104	272	1.43	330	281	325	1.63	5.8	Dc
GD36MEa	123B1560	3.62	1/10	HMBP	S	115V 60Hz	RSIR	P	C	111	305	1.45	373	316	366	1.67	6.7	Dd
GD36MEb	123B1561	3.62	1/10	HMBP	F	115V 60Hz	RSIR	P	C	111	305	1.45	373	316	366	1.67	6.7	Dd
GD36MEc	123B1562	3.62	1/10	HMBP	S	115V 60Hz	CSIR	R	C-V	111	305	1.45	373	316	366	1.67	6.7	Dd
GD36MEd	123B1563	3.62	1/10	HMBP	F	115V 60Hz	CSIR	R	C-V	111	305	1.45	373	316	366	1.67	6.7	Dd
GD40MEa	123B1564	4.06	1/8	HMBP	S	115V 60Hz	RSIR	P	C	137	353	1.47	425	363	420	1.69	6.7	Dd
GD40MEb	123B1565	4.06	1/8	HMBP	F	115V 60Hz	RSIR	P	C	137	353	1.47	425	363	420	1.69	6.7	Dd
GD40MEc	123B1566	4.06	1/8	HMBP	S	115V 60Hz	CSIR	R	C-V	137	353	1.47	425	363	420	1.69	6.7	Dd
GD40MEd	123B1567	4.06	1/8	HMBP	F	115V 60Hz	CSIR	R	C-V	137	353	1.47	425	363	420	1.69	6.7	Dd
GL45PE	123B1568	4.50	1/6	HMBP	F	115V 60Hz	RSIR	R	C	157	400	1.60	483	412	477	1.84	8.4	Lb
GL45TE	123B1569	4.50	1/6	HMBP	F	115V 60Hz	CSIR	R	C-V	157	400	1.60	483	412	477	1.84	8.6	Lb
GL60PE	123B1570	5.68	1/5	HMBP	F	115V 60Hz	RSIR	R	C	199	511	1.75	616	526	609	2.01	9.5	Lc
GL60TE	123B1571	5.68	1/5	HMBP	F	115V 60Hz	CSIR	R	C-V	199	511	1.75	616	526	609	2.01	9.7	Lc
GL60TC	123B1523	5.68	1/5	HMBP	F	100V 50/60Hz	CSIR	R	C-V	199	511	1.75	616	526	609	2.01	9.8	Lc
GLY80RDa	123B1572	8.10	1/5	HMBP	F	115V 60Hz	CSIR	R	C-V	299	776	2.03	939	800	926	2.34	10.6	Lc
GLY80RDb	123B1573	8.10	1/5	HMBP	F	115V 60Hz	CSR	R	C-V	299	776	2.18	939	800	926	2.51	10.6	Lc
GL80PE	123B1574	7.57	1/5	HMBP	F	115V 60Hz	RSIR	R	C	249	648	1.79	781	667	772	2.04	9.5	Lc
GL80TE	123B1575	7.57	1/5	HMBP	F	115V 60Hz	CSIR	R	C-V	249	648	1.79	781	667	772	2.04	10.1	Lc
GL80TC	123B1529	7.57	1/5	HMBP	F	100V 50/60Hz	CSIR	R	C-V	249	648	1.93	781	667	772	2.22	10.4	Lc
GLY90RDa	123B1576	9.09	1/4	HMBP	F	115V 60Hz	CSIR	R	C-V	348	875	1.96	1053	900	1042	2.25	10.6	Lc
GLY90RDb	123B1577	9.09	1/4	HMBP	F	115V 60Hz	CSR	R	C-V	348	875	2.11	1053	900	1042	2.42	10.6	Lc
GL90PE	123B1578	8.85	1/4	HMBP	F	115V 60Hz	RSIR	R	C	303	773	1.79	932	796	921	2.06	10.8	Ld
GL90TE	123B1579	8.85	1/4	HMBP	F	115V 60Hz	CSIR	R	C-V	303	773	1.79	932	796	921	2.06	10.8	Ld
GL90TC	123B1535	8.85	1/4	HMBP	F	100V 50/60Hz	CSIR	R	C-V	303	773	1.83	932	796	921	2.10	10.9	Ld
GPY12RDa	123B1580	12.10	3/8	HMBP	F	115V 60Hz	CSIR	R	C-V	480	1151	1.96	1375	1180	1366	2.25	12.3	Pd
GPY12RDb	123B1581	12.10	3/8	HMBP	F	115V 60Hz	CSR	R	C-V	480	1151	2.12	1375	1180	1366	2.44	12.3	Pd
GP12PE	123B1582	12.05	3/8	HMBP	F	115V 60Hz	RSIR	R	C	395	1045	1.83	1260	1076	1245	2.10	11.2	Pc
GP12TE	123B1583	12.05	3/8	HMBP	F	115V 60Hz	CSIR	R	C-V	395	1045	1.83	1260	1076	1245	2.10	11.2	Pc
GPY14RDa	123B1584	14.32	1/2	HMBP	F	115V 60Hz	CSIR	R	C-V	516	1411	1.91	1739	1467	1698	2.22	12.8	Pd
GPY14RDb	123B1585	14.32	1/2	HMBP	F	115V 60Hz	CSR	R	C-V	516	1411	2.04	1739	1467	1698	2.36	12.8	Pd
GP14PE	123B1595	14.17	3/8	HMBP	F	115V 60Hz	RSIR	R	C	437	1168	1.78	1414	1205	1395	2.03	11.5	Pd
GP14TE	123B1587	14.17	3/8	HMBP	F	115V 60Hz	CSIR	R	C-V	437	1168	1.78	1414	1205	1395	2.03	11.5	Pd
GPY16RDa	123B1588	16.15	1/2	HMBP	F	115V 60Hz	CSIR	R	C-V	614	1519	1.89	1822	1560	1806	2.17	12.5	Pd
GPY16RDb	123B1589	16.15	1/2	HMBP	F	115V 60Hz	CSR	R	C-V	614	1519	2.01	1822	1560	1806	2.31	12.5	Pd
GP16TE	123B1718	16.15	3/8	HBP	F	115V 60Hz	CSIR	R	C-V	557	1409	1.71	1698	1450	1678	1.96	12.9	Pd
GD40MGd	123B1703	4.06	1/8	HBP	F	230V 50/60Hz	CSIR	R	C-V	137	353	1.63	425	363	420	1.85	6.7	Dd
GL45MG	123B1704	4.50	1/6	HBP	S	230V 50/60Hz	CSIR	R	C-V	157	400	1.66	483	412	477	1.92	8.8	Lb
GL45TG	123B1517	4.50	1/6	HMBP	F	200-240/220-230V 50/60Hz	CSIR	R	C-V	157	400	1.66	483	412	477	1.92	8.8	Lb

Green Cooling Models

New Models

(*) Or HFO1234yf

(**) Model under development. Provisional performance/data.




See design drawing on pages 40-41

(²) Ordering code for single compressors. For pallet packed compressors, please use 123F instead of 123B

This table continues in the following page

Danfoss Light Commercial Refrigeration Compressors

R134a (*) HMBP | HBP • 60 Hz

MODEL	DANFOSS CODE (a)	DISPLACEMENT cm ³	POWER hp	APPLICATION	CPR COOLING	VOLTAGE FREQUENCY	MOTOR	STARTING	EXPANSION	REFRIGERATION CAPACITY						WEIGHT Kg	DESIGN	
										COP in W/W Evaporating Temperature °C								
										CECOMAF (W)			ASHRAE					
										-15	5		10	7.2				
	W	COP		kcal/h	W	COP												
GL60MG	123B1705	5.68	1/5	HBP	S	230V 50/60Hz	CSIR	R	C-V	185	501	1.74	615	520	602	2.02	9.9	Lb
GL60TG	123B1522	5.68	1/5	HMBP	F	200-240/220-230V 50/60Hz	CSIR	R	C-V	199	511	1.77	616	526	609	2.04	9.9	Lc
GL80MG	123B1706	7.57	1/5	HBP	S	230V 50/60Hz	CSIR	R	C-V	276	677	1.86	830	702	813	2.15	10.1	Lc
GL80TG	123B1528	7.57	1/5	HMBP	F	200-220/220-230V 50/60Hz	CSIR	R	C-V	249	648	1.79	781	667	772	2.04	10.1	Lc
GL90TG	123B1534	8.85	1/4	HMBP	F	200-220/220-230V 50/60Hz	CSIR	R	C-V	303	773	1.72	932	796	921	1.97	10.8	Ld
GL90MG	123B1707	8.85	1/4	HBP	S	230V 50/60Hz	CSIR	R	C-V	300	775	1.84	940	800	926	2.11	10.8	Ld
 GLY12RGa	123B1710	10.7	3/8	HBP	F	200-220/220-230V 50/60Hz	CSIR	R	C-V	788	996	1.76	1200	1016	1176	2	11.3	Ld
 GLY12RGb	123B1711	10.7	3/8	HBP	F	200-220/220-230V 50/60Hz	CSR	R	C-V	788	996	1.96	1200	1016	1176	2.24	11.3	Ld
GP14TG	123B1539	14.17	3/8	HMBP	F	200-220/220-230V 50/60Hz	CSIR	R	C-V	437	1168	1.78	1414	1205	1395	2.03	12.9	Pd
GP16TG	123B1714	16.15	3/8	HBP	F	200-220/230V 50/60Hz	CSIR	R	C-V	557	1409	1.75	1698	1450	1678	2.00	12.9	Pd
 GPT16RG	123B1715	16.15	1/2	HBP	F	200-220/220-230V 50/60Hz	CSR	R	C-V	619	1596	2.06	1923	1612	1866	2.37	12.5	Pd
GX18TG	123B1545	18.40	1/2	HMBP	F	200-220/220-230V 50/60Hz	CSIR	R	C-V	630	1626	1.89	1958	1673	1936	2.17	15.9	Xc
GX23TG	123B1548	23.20	5/8	HMBP	F	200-220/220-230V 50/60Hz	CSIR	R	C-V	792	2022	1.73	2434	2080	2407	1.98	17.0	Xd
GS26TG	123B1550	25.93	3/4	HMBP	F	200-220/220-230V 50/60Hz	CSIR	R	C-V	824	2421	2.08	2936	2500	2894	2.40	22.7	Sc
GS30TG	123B1553	29.95	7/8	HMBP	F	200-220/220-230V 50/60Hz	CSR	R	C-V	921	2867	2.24	3528	2981	3450	2.61	23.0	Sd
GS34TF	123B1590	34.42	1	HMBP	F	220-230V 60Hz	CSR	R	C-V	1248	3329	2.18	3992	3421	3959	2.50	22.7	Sd
GS26T3	123B1551	25.93	3/4	HMBP	F	400/440V 50/60Hz	3PHASE	R	C-V	824	2421	2.09	2936	2500	2894	2.40	22.7	Sc


R134a (*) MBP • 50 Hz

MODEL	DANFOSS CODE (a)	DISPLACEMENT cm ³	POWER hp	APPLICATION	CPR COOLING	VOLTAGE FREQUENCY	MOTOR	STARTING	EXPANSION	REFRIGERATION CAPACITY					WEIGHT Kg	DESIGN
										Evaporating Temperature °C CECOMAF (W)						
										-25	-20	-10	-5	0		
GD24NG	123B1402	2.44	1/14	MBP	S	200-220/220-230V 50/60Hz	RSIR	P	C	33	47	86	111	140	5.5	Db
GD24NBa	123B1405	2.44	1/14	MBP	S	220-240V 50Hz	RSIR	P	C	33	47	86	111	140	5.1	Db

R134a (*) MBP • 60 Hz

MODEL	DANFOSS CODE (a)	DISPLACEMENT cm ³	POWER hp	APPLICATION	CPR COOLING	VOLTAGE FREQUENCY	MOTOR	STARTING	EXPANSION	REFRIGERATION CAPACITY					WEIGHT Kg	DESIGN
										Evaporating Temperature °C CECOMAF (W)						
										-25	-20	-10	-5	0		
GD24NEa	123B1401	2.44	1/14	MBP	S	115V 60Hz	RSIR	P	C	38	55	101	130	164	5.1	Db
GD30NEa	123B1403	3.08	1/10	MBP	S	115V 60Hz	RSIR	P	C	57	77	137	175	220	5.8	Dc
GD40NEa	123B1404	4.06	1/8	MBP	S	115V 60Hz	RSIR	P	C	74	102	180	230	288	6.0	Dd
GD24NG	123B1402	2.44	1/14	MBP	S	200-220/220-230V 50/60Hz	RSIR	P	C	38	55	101	130	164	5.5	Db

 Green Cooling Models

 New Models

(*) Or HFO1234yf

See design drawing on pages 40-41

(a) Ordering code for single compressors. For pallet packed compressors, please use 123F instead of 123B

Danfoss Light Commercial Refrigeration Compressors

R134a (*) VHBP • 50 Hz


MODEL	DANFOSS CODE (†)	DISPLACEMENT cm ³	POWER hp	APPLICATION	CPR COOLING	VOLTAGE FREQUENCY	MOTOR	STARTING	EXPANSION	REFRIGERATION CAPACITY					WEIGHT Kg	DESIGN
										Evaporating Temperature °C CECOMAF (W)						
										0	5	10	20	25		
GL45YG	123B1801	4.50	1/6	VHBP	S	230V 50/60Hz	CSIR	R	C-V	264	329	409	610	732	8.8	Lb
GP12YG	123B1802	12.05	3/8	VHBP	S	230V 50/60Hz	CSIR	R	C-V	732	913	1130	1675	2003	12.7	Pd
GP14YB	123B1803	14.17	3/8	VHBP	S	220-240V 50Hz	RSCR	P	C	904	1101	1346	1980	2369	13.5	Pd
GP16YBa	123B1804	16.15	1/2	VHBP	S	220-240V 50Hz	RSCR	P	C	931	1151	1404	2007	2358	13.5	Pd
GP16YGb	123B1805	16.15	1/2	VHBP	S	230V 50/60Hz	CSR	R	C-V	974	1201	1475	2167	2585	12.9	Pd

R134a (*) VHBP • 60 Hz

MODEL	DANFOSS CODE (†)	DISPLACEMENT cm ³	POWER hp	APPLICATION	CPR COOLING	VOLTAGE FREQUENCY	MOTOR	STARTING	EXPANSION	REFRIGERATION CAPACITY					WEIGHT Kg	DESIGN
										Evaporating Temperature °C CECOMAF (W)						
										0	5	10	20	25		
GL45YG	123B1801	4.5	1/6	VHBP	S	230V 50/60Hz	CSIR	R	C-V	307	382	474	708	851	8.8	Lb
GP12YG	123B1802	12.05	3/8	VHBP	S	230V 50/60Hz	CSIR	R	C-V	856	1070	1324	1958	2337	12.7	Pd
GP16YGb	123B1805	16.15	1/2	VHBP	S	230V 50/60Hz	CSR	R	C-V	1131	1399	1723	2533	3021	12.9	Pd

R134a HMBP • 50 | 60 Hz

Variable Speed Compressors

MODEL	DANFOSS CODE (†)	DISPLACEMENT cm ³	APPLICATION	COOLING	VOLTAGE FREQUENCY	MOTOR	EXPANSION	SPEED rpm	REFRIGERATION CAPACITY							WEIGHT Kg	DESIGN
									COP in W/W Evaporating Temperature °C								
									CECOMAF (W)				ASHRAE				
									-15	+5		+10	+7.2				
	W	COP		kcal/h	W	COP											
	123B1991				220-240V 50/60Hz			1800	205	542	2.52	658	560	648	2.92		
								2100	242	630	2.60	764	651	753	2.98		
	GLT99FSN	9.95	HMBP	F		ECM	C-V	2400	275	712	2.54	860	734	850	2.92	11.2	Lc
	123B1992				100-127V 50/60Hz (**)			3000	340	868	2.42	1046	894	1035	2.77		
								3600	391	1030	2.30	1253	1065	1233	2.62		

 Green Cooling Models

(*) Or HF01234yf

(**) Model under development. Provisional performance/data.

See design drawing on pages 40-41

(†) Ordering code for single compressors. For pallet packed compressors, please use 123F instead of 123B

R134a LBP | MBP | HBP • DC 50 | 60 Hz

Mobile Compressors

MODEL	DANFOSS CODE (†)	DISPLACEMENT cm ³	APPLICATION	COOLING	VOLTAGE FREQUENCY	MOTOR	EXPANSION	SPEED rpm	REFRIGERATION CAPACITY						WEIGHT Kg	DESIGN		
									COP in W/W Evaporating Temperature °C									
									CECOMAF (W)			ASHRAE						
									-30	-25		-10	+10	-23.3				
										W	COP			kcal/h			W	COP
GD30FDC 12-42V	123B1901	3.0	LBP MBP HBP	S / F	12-24-42V DC	ECM	C	1500	18	24	0.97	57	150	28	32	1.24	5.4	Db
								2000	25	34	0.98	82	210	40	46	1.28		
								2500	30	42	0.96	104	264	50	58	1.26		
								3000	35	49	0.95	122	-	58	67	1.24		
								3500	39	54	0.94	136	-	64	74	1.22		
GD30FDC 48-56V (**)	123B1903	3.0	LBP MBP HBP	S / F	48-56V DC	ECM	C	1500	18	24	0.97	57	150	28	32	1.24	5.4	Db
								2000	25	34	0.98	82	210	40	46	1.28		
								2500	30	42	0.96	104	264	50	58	1.26		
								3000	35	49	0.95	122	-	58	67	1.24		
								3500	39	54	0.94	136	-	64	74	1.22		

R134a HMBP • DC

Mobile Compressors

MODEL	DANFOSS CODE (†)	DISPLACEMENT cm ³	APPLICATION	COOLING	VOLTAGE FREQUENCY	MOTOR	EXPANSION	SPEED rpm	REFRIGERATION CAPACITY						WEIGHT Kg	DESIGN	
									COP in W/W Evaporating Temperature °C								
									CECOMAF (W)			ASHRAE					
									-15	+5		+10		+7.2			
										W	COP			kcal/h			W
GLT80TDC 24-42V	123B1902	8.1	HMBP	F	24-42V DC	ECM	C	1500	139	362	1.93	421	369	427	2.19	8.4	Lc
								2000	190	487	2.06	565	497	575	2.34		
								2500	238	601	1.99	710	613	709	2.26		
								3000	281	711	1.91	840	725	839	2.17		
								3500	320	818	1.82	962	834	965	2.07		

(*) Or HFO1234yf

(**) Model under development. Provisional performance/data.

See design drawing on pages 40-41

(†) Ordering code for single compressors. For pallet packed compressors, please use 123F instead of 123B

	Conditions			
	CECOMAF		ASHRAE	
	LBP	HMBP/HBP	LBP	HMBP/HBP
Evaporating temperature °C	-25	5	-23.3	7.2
Condensing temperature °C	55	55	55	55
Liquid temperature °C	55	55	32	46
Suction temperature °C	32	32	32	35
Ambient temperature °C	32	32	32	35

	Conditions			
	HCB CECOMAF		HCB ASHRAE	
	MBP	VHBP	MBP	VHBP
Evaporating temperature °C	-10	25	-10	25
Condensing temperature °C	55	70	55	70
Liquid temperature °C	55	55	46	61
Suction temperature °C	32	32	35	35
Ambient temperature °C	32	32	35	35

R404A/R507



Danfoss Light Commercial Refrigeration Compressors

R404A • R507 LBP • 50 Hz

	MODEL	DANFOSS CODE (†)	DISPLACEMENT cm ³	POWER hp	APPLICATION	CPR COOLING	VOLTAGE FREQUENCY	MOTOR	STARTING	EXPANSION	REFRIGERATION CAPACITY						WEIGHT Kg	DESIGN	
											COP in W/W Evaporating Temperature °C								
											CECOMAF (W)			ASHRAE					
											-30	-25		-10	-23.3				
	W	COP		kcal/h	W	COP													
🌿	MLY40AAa	123B2101	4.02	1/7	LBP	S	220-240V 50Hz	RSIR	P	C	95	130	0.89	271	166	192	1.25	10.1	Lb
🌿	MLY40AAb	123B2102	4.02	1/7	LBP	S	220-240V 50Hz	RSCR	P	C	95	130	0.94	271	166	192	1.32	10.1	Lb
	ML45FB	123B2103	4.56	1/6	LBP	F	220-240V 50Hz	CSIR	R	C-V	100	134	0.66	275	170	197	0.94	9.9	Lb
	ML45FG	123B2104	4.56	1/6	LBP	F	200-240/220-230V 50/60Hz	CSIR	R	C-V	100	134	0.68	275	170	197	0.96	10.3	Lc
🌿	MLY45LAa	123B2105	4.56	1/6	LBP	F	220-240V 50Hz	CSIR	R	C-V	118	158	0.92	318	200	231	1.30	9.9	Lc
🌿	MLY45LAb	123B2106	4.56	1/6	LBP	F	220-240V 50Hz	CSR	R	C-V	118	158	0.98	318	200	231	1.38	9.9	Lc
	ML60FB	123B2107	5.98	1/5	LBP	F	220-240V 50Hz	CSIR	R	C-V	136	183	0.84	375	236	273	1.20	10.2	Lc
	ML60FG	123B2108	5.98	1/5	LBP	F	200-240/220-230V 50/60Hz	CSIR	R	C-V	134	178	0.71	352	225	260	1.01	10.3	Lc
🌿	MLY60LAa	123B2109	5.98	1/5	LBP	F	220-240V 50Hz	CSIR	R	C-V	169	222	0.90	430	280	324	1.26	10.3	Lc
🌿	MLY60LAb	123B2110	5.98	1/5	LBP	F	220-240V 50Hz	CSR	R	C-V	169	222	0.97	430	280	324	1.36	10.3	Lc
	ML80FB	123B2111	8.10	1/4	LBP	F	220-240V 50Hz	CSIR	R	C-V	190	253	0.78	507	320	370	1.09	10.0	Lc
	ML80FG	123B2112	8.10	1/4	LBP	F	200-220/220-230V 50/60Hz	CSIR	R	C-V	190	253	0.77	507	320	370	1.08	11.3	Ld
🌿	MLY80LAa	123B2113	8.10	1/4	LBP	F	220-240V 50Hz	CSIR	R	C-V	208	276	0.91	550	350	405	1.28	11.6	Ld
🌿	MLY80LAb	123B2114	8.10	1/4	LBP	F	220-240V 50Hz	CSR	R	C-V	208	276	0.98	550	350	405	1.38	11.6	Ld
	ML90FB	123B2115	8.86	1/3	LBP	F	220-240V 50Hz	CSIR	R	C-V	208	276	0.83	550	350	405	1.16	10.1	Ld
	ML90FG	123B2116	8.86	1/3	LBP	F	200-220/230V 50/60Hz	CSIR	R	C-V	208	276	0.80	550	350	405	1.13	11.3	Ld
🌿	MLY90LAa	123B2117	9.09	1/3	LBP	F	220-240V 50Hz	CSIR	R	C-V	236	313	0.91	614	395	457	1.28	11.9	Ld
🌿	MLY90LAb	123B2118	9.09	1/3	LBP	F	220-240V 50Hz	CSR	R	C-V	236	313	0.98	614	395	457	1.38	11.9	Ld
🌿	MLY12LAa	123B2119	10.7	3/8	LBP	F	220-240V 50Hz	CSIR	R	C-V	273	380	0.94	808	490	567	1.32	11.3	Ld
🌿	MLY12LAb	123B2120	10.7	3/8	LBP	F	220-240V 50Hz	CSR	R	C-V	273	380	1.00	808	490	567	1.41	11.3	Ld
🌿	MLY12LGa (**)	123B2121	10.7	3/8	LBP	F	200-220/220-230V 50/60Hz	CSIR	R	C-V	273	380	0.92	808	490	567	1.30	11.3	Ld
🌿	MLY12LGb (**)	123B2122	10.7	3/8	LBP	F	200-220/220-230V 50/60Hz	CSR	R	C-V	273	380	0.98	808	490	567	1.38	11.3	Ld
🌿	MPT12LA	123B2123	12.10	3/8	LBP	F	220-240V 50Hz	CSR	R	C-V	348	453	1.01	876	570	660	1.42	13.0	Pd
	MP14FB	123B2124	14.17	1/2	LBP	F	220-240V 50Hz	CSIR	R	C-V	304	422	0.80	880	540	625	1.12	13.9	Pd
	MP14FG	123B2125	14.17	1/2	LBP	F	200-220/230V 50/60Hz	CSIR	R	C-V	304	422	0.80	880	540	625	1.12	13.0	Pd
🌿	MPT14LA	123B2126	14.32	1/2	LBP	F	220-240V 50Hz	CSR	R	C-V	420	535	0.99	988	670	775	1.38	13.4	Pd
🌿	MPT16LA	123B2127	16.15	1/2	LBP	F	220-240V 50Hz	CSR	R	C-V	467	610	0.97	1165	765	885	1.40	12.8	Pd
🌿	MPT18LA (**)	123B2128	18.00	1/2	LBP	F	220-240V 50Hz	CSR	R	C-V	502	656	1.15	1252	825	955	1.67	12.7	Pd
	MX18FBa	123B2129	18.40	5/8	LBP	F	220-240V 50Hz	CSR	R	C-V	397	548	0.96	1151	700	810	1.36	16.0	Xd
	MX21FBa	123B2130	20.72	3/4	LBP	F	220-240V 50Hz	CSR	R	C-V	464	632	0.96	1301	805	932	1.35	16.0	Xd
	MX21FG	123B2131	20.72	3/4	LBP	F	200-220/220-230V 50/60Hz	CSR	R	C-V	464	632	0.96	1301	805	932	1.35	16.2	Xd
🌿	MX23FBa	123B2132	23.21	7/9	LBP	F	220-240V 50Hz	CSR	R	C-V	536	720	0.97	1460	915	1059	1.36	16.5	Xd
	MX23FG	123B2133	23.20	7/8	LBP	F	200-220/220-230V 50/60Hz	CSR	R	C-V	536	720	0.95	1460	915	1059	1.34	17.8	Xd
	MS26FB	123B2134	25.93	3/4	LBP	F	220-240V 50Hz	CSR	R	C-V	572	816	0.97	1744	1050	1215	1.37	22.6	Sd
	MS26FG	123B2135	25.93	3/4	LBP	F	200-220/230V 50/60Hz	CSR	R	C-V	550	779	0.96	1632	1000	1157	1.35	22.6	Sd
	MS30FB	123B2137	29.95	7/8	LBP	F	220-240V 50Hz	CSR	R	C-V	657	935	0.95	1977	1201	1390	1.35	22.7	Sd
🌿	MS34FB	123B2139	34.42	1	LBP	F	220-240V 50Hz	CSR	R	C-V	764	1089	0.96	2319	1400	1620	1.35	22.7	Sd
	MS26F3	123B2136	25.93	3/4	LBP	F	400/440V 50/60Hz	3PHASE	R	C-V	550	779	0.96	1632	1000	1157	1.35	20.8	Sd
	MS30F3	123B2138	29.95	7/8	LBP	F	400/440V 50/60Hz	3PHASE	R	C-V	657	934	0.93	1976	1200	1389	1.32	24.0	Sd
	MS34F3	123B2140	34.42	1	LBP	F	400/440V 50/60Hz	3PHASE	R	C-V	764	1089	1.00	2319	1400	1620	1.40	22.9	Sd

🌿 Green Cooling Models

🌿 New Models














(**) Model under development. Provisional performance/data.

See design drawing on pages 40-41


(†) Ordering code for single compressors. For pallet packed compressors, please use 123F instead of 123B

Danfoss Light Commercial Refrigeration Compressors

R404A • R507 LBP • 60 Hz

	MODEL	DANFOSS CODE (†)	DISPLACEMENT cm ³	POWER hp	APPLICATION	CPR COOLING	VOLTAGE FREQUENCY	MOTOR	STARTING	EXPANSION	REFRIGERATION CAPACITY						WEIGHT Kg	DESIGN	
											COP in W/W Evaporating Temperature °C								
											CECOMAF (W)			ASHRAE					
											-30	-25		-10	-23.3				
	W	COP		kcal/h	W	COP													
	MLY45LRa (**)	123B2141	4.56	1/6	LBP	F	115-127V 60Hz	CSIR	R	C-V	145	193	0.87	396	246	285	1.23	10.0	Lc
	MLY45LRb (**)	123B2142	4.56	1/6	LBP	F	115-127V 60Hz	CSR	R	C-V	145	193	0.93	396	246	285	1.31	10.0	Lc
	ML60FR	123B2143	5.98	1/5	LBP	F	115-127V 60Hz	CSIR	R	C-V	157	208	0.72	412	263	304	1.01	11.0	Lc
	MLY60LDa	123B2144	5.98	1/5	LBP	F	115V 60Hz	CSIR	R	C-V	198	260	0.89	503	328	380	1.25	10.3	Lc
	MLY60LDb	123B2145	5.98	1/5	LBP	F	115V 60Hz	CSR	R	C-V	198	260	0.95	503	328	380	1.34	10.3	Lc
	ML80FR	123B2146	8.10	1/4	LBP	F	115-127V 60Hz	CSIR	R	C-V	224	297	0.75	593	376	435	1.05	11.3	Ld
	ML90FR	123B2147	8.86	1/3	LBP	F	115-127V 60Hz	CSIR	R	C-V	243	324	0.79	644	410	475	1.11	11.3	Ld
	MLT90LD	123B2148	9.09	1/3	LBP	F	115V 60Hz	CSR	R	C-V	285	375	0.99	753	474	549	1.40	10.3	Ld
	MLT90CD	123B2149	9.09	1/3	LBP	F	115V 60Hz	RSCR	P	C	291	383	1.03	773	485	561	1.45	10.3	Ld
	MLT90CDc	123B2150	9.09	1/3	LBP	S	115V 60Hz	CSR	R	C-V	285	375	0.99	753	474	549	1.40	10.3	Ld
	MP12FR	123B2151	12.05	3/8	LBP	F	115-127V 60Hz	CSIR	R	C-V	295	411	0.81	874	527	610	1.15	12.7	Pd
	MPT12LD	123B2152	12.10	3/8	LBP	F	115V 60Hz	CSR	R	C-V	398	516	1.01	996	650	752	1.41	11.5	Pd
	MPT12CD	123B2153	12.10	3/8	LBP	F	115V 60Hz	RSCR	P	C	398	516	1.01	996	650	752	1.41	11.5	Pd
	MP14FE	123B2154	14.17	1/2	LBP	F	115V 60Hz	CSIR	R	C-V	356	494	0.77	1030	632	731	1.10	13.0	Pd
	MPT14LD (**)	123B2155	14.32	1/2	LBP	F	115V 60Hz	CSR	R	C-V	412	571	0.91	1114	730	845	1.27	13.4	Pd
	ML45FG	123B2104	4.56	1/6	LBP	F	200-240/220-230V 50/60Hz	CSIR	R	C-V	118	157	0.69	322	200	231	0.97	10.3	Lc
	ML60FG	123B2108	5.98	1/5	LBP	F	200-240/220-230V 50/60Hz	CSIR	R	C-V	157	208	0.70	412	263	304	0.99	10.3	Lc
	ML80FG	123B2112	8.10	1/4	LBP	F	200-220/220-230V 50/60Hz	CSIR	R	C-V	224	297	0.76	593	376	435	1.07	11.3	Ld
	ML90FG	123B2116	8.86	1/3	LBP	F	200-220/230V 50/60Hz	CSIR	R	C-V	243	324	0.80	644	410	475	1.12	11.3	Ld
	MLY12LGa (**)	123B2121	10.7	3/8	LBP	F	200-220/220-230V 50/60Hz	CSIR	R	C-V	320	447	0.92	950	573	663	1.30	11.3	Ld
	MLY12LGb (**)	123B2122	10.7	3/8	LBP	F	200-220/220-230V 50/60Hz	CSR	R	C-V	320	447	0.98	950	573	663	1.38	11.3	Ld
	MP14FG	123B2125	14.17	1/2	LBP	F	200-220/230V 50/60Hz	CSIR	R	C-V	356	494	0.82	1030	632	731	1.15	13.0	Pd
	MPT14LF	123B2156	14.32	1/2	LBP	F	208-230V 60Hz	CSR	R	C-V	472	610	0.95	1190	770	891	1.34	13.4	Pd
	MX21FG	123B2131	20.72	3/4	LBP	F	200-220/220-230V 50/60Hz	CSR	R	C-V	542	738	0.94	1520	940	1088	1.32	16.2	Xd
	MX23FG	123B2133	23.20	7/8	LBP	F	200-220/220-230V 50/60Hz	CSR	R	C-V	628	846	0.94	1718	1075	1244	1.32	17.8	Xd
	MS26FF	123B2157	25.93	3/4	LBP	F	208-230V 60Hz	CSR	R	C-V	643	912	0.92	1910	1170	1354	1.30	22.6	Sd
	MS26FG	123B2135	25.93	3/4	LBP	F	200-220/230V 50/60Hz	CSR	R	C-V	643	912	0.92	1910	1170	1354	1.31	22.6	Sd
	MS30FF	123B2158	29.95	7/8	LBP	F	208-230V 60Hz	CSR	R	C-V	765	1090	0.93	2311	1400	1620	1.31	22.7	Sd
	MS30FG	123B2159	29.95	7/8	LBP	F	230V 60Hz	CSR	R	C-V	765	1090	0.96	2311	1400	1620	1.36	22.7	Sd
	MS26F3	123B2136	25.93	3/4	LBP	F	400/440V 50/60Hz	3PHASE	R	C-V	643	912	0.92	1910	1170	1354	1.31	20.8	Sd
	MS30F3	123B2138	29.95	7/8	LBP	F	400/440V 50/60Hz	3PHASE	R	C-V	765	1090	0.94	2311	1400	1620	1.32	24.0	Sd
	MS34F3	123B2140	34.42	1	LBP	F	400/440V 50/60Hz	3PHASE	R	C-V	887	1267	0.96	2706	1630	1887	1.35	22.9	Sd

 Green Cooling Models
















 New Models

(**) Model under development. Provisional performance/data.


See design drawing on pages 40-41

(†) Ordering code for single compressors. For pallet packed compressors, please use 123F instead of 123B

R404A HMBP | HBP • 50 Hz

MODEL	DANFOSS CODE (†)	DISPLACEMENT cm ³	POWER hp	APPLICATION	CPR COOLING	VOLTAGE FREQUENCY	MOTOR	STARTING	EXPANSION	REFRIGERATION CAPACITY							WEIGHT Kg	DESIGN
										COP in W/W Evaporating Temperature °C								
										CECOMAF (W)			ASHRAE					
										-15	5		10	7.2				
W	COP	kcal/h	W	COP														
ML40TB	123B2501	4.05	1/6	HMBP	F	220-240V 50Hz	CSIR	R	C-V	214	473	1.43	558	510	590	1.74	10.0	Lc
ML40TG	123B2502	4.05	1/6	HMBP	F	200-240/220-230V 50/60Hz	CSIR	R	C-V	214	473	1.43	558	510	590	1.74	10.0	Lc
ML45TB	123B2503	4.50	1/5	HMBP	F	220-240V 50Hz	CSIR	R	C-V	238	528	1.49	624	570	660	1.82	10.1	Lc
ML45TG	123B2504	4.50	1/5	HMBP	F	200-240/220-230V 50/60Hz	CSIR	R	C-V	238	528	1.49	624	570	660	1.82	10.0	Lc
 MLY60RAa	123B2505	5.98	1/4	HMBP	F	220-240V 50Hz	CSIR	R	C-V	346	766	1.77	902	825	955	2.15	10.5	Lc
 MLY60RAB	123B2506	5.98	1/4	HMBP	F	220-240V 50Hz	CSR	R	C-V	346	766	1.93	902	825	955	2.36	10.5	Lc
ML60TB	123B2507	5.68	1/4	HMBP	F	220-240V 50Hz	CSIR	R	C-V	277	647	1.53	769	700	810	1.85	10.1	Lc
ML60TG	123B2508	5.68	1/4	HMBP	F	200-220/230V 50/60Hz	CSIR	R	C-V	277	647	1.53	769	700	810	1.85	10.0	Lc
 MLY80RAa	123B2509	8.10	3/8	HMBP	F	220-240V 50Hz	CSIR	R	C-V	463	1055	1.86	1250	1140	1319	2.27	10.2	Ld
 MLY80RAB	123B2510	8.10	3/8	HMBP	F	220-240V 50Hz	CSR	R	C-V	463	1055	2.02	1250	1140	1319	2.46	10.2	Ld
ML80TB	123B2511	7.57	3/8	HMBP	F	220-240V 50Hz	CSIR	R	C-V	385	880	1.63	1040	950	1100	1.99	11.4	Ld
ML80TG	123B2512	7.57	3/8	HMBP	F	200-240/220-230V 50/60Hz	CSIR	R	C-V	385	880	1.63	1040	950	1100	1.99	11.2	Ld
 MLY90RAa	123B2513	9.09	3/8	HMBP	F	220-240V 50Hz	CSIR	R	C-V	512	1132	1.75	1334	1220	1412	2.13	11.3	Ld
 MLY90RAB	123B2514	9.09	3/8	HMBP	F	220-240V 50Hz	CSR	R	C-V	511	1136	1.92	1340	1225	1418	2.34	11.3	Ld
ML90TB	123B2515	8.86	3/8	HMBP	F	220-240V 50Hz	CSIR	R	C-V	463	1055	1.63	1250	1140	1319	1.98	11.6	Ld
ML90TG	123B2516	8.86	3/8	HMBP	F	200-220/230V 50/60Hz	CSIR	R	C-V	463	1055	1.63	1250	1140	1319	1.98	12.7	Ld
 MLY12RGa (**)	123B2701	10.70	3/8	HBP	F	200-240/220-230V 50/60Hz	CSIR	R	C-V	582	1327	1.73	1572	1434	1660	2.11	10.4	Ld
 MLY12RGB (**)	123B2702	10.70	3/8	HBP	F	200-240/220-230V 50/60Hz	CSR	R	C-V	582	1327	1.89	1572	1434	1660	2.3	10.4	Ld
MP12TG	123B2517	12.05	1/2	HMBP	F	200-220/220-230V 50/60Hz	CSR	R	C-V	634	1463	1.85	1732	1580	1829	2.25	13.5	Pd
 MPT12RA	123B2518	12.10	3/8	HMBP	F	220-240V 50Hz	CSR	R	C-V	676	1560	1.93	1845	1685	1950	2.35	12.6	Pd
 MPT12RG (**)	123B2703	12.10	3/8	HBP	F	200-240/220-230V 50/60Hz	CSR	R	C-V	676	1560	1.89	1845	1685	1950	2.30	12.6	Pd
 MPT14RA	123B2704	14.32	1/2	HBP	F	220-240V 50Hz	CSR	R	C-V	784	1760	1.81	2078	1900	2199	2.20	13.5	Pd
 MPT14RG (**)	123B2705	14.32	1/2	HBP	F	200-240/220-230V 50/60Hz	CSR	R	C-V	784	1760	1.79	2078	1900	2199	2.17	13.5	Pd
 MX16TBa	123B2706	16.03	3/4	HBP	F	220-240V 50Hz	CSR	R	C-V	818	1880	1.76	2225	2030	2350	2.15	16.2	Xc
 MX18TBa	123B2707	18.40	7/8	HBP	F	220-240V 50Hz	CSR	R	C-V	937	2157	1.78	2554	2330	2697	2.18	16.0	Xd
MX18TG	123B2519	18.40	7/8	HMBP	F	200-220/220-230V 50/60Hz	CSR	R	C-V	937	2157	1.78	2554	2330	2697	2.18	17.0	Xd
 MX21TBa	123B2708	20.73	2	HBP	F	220-240V 50Hz	CSR	R	C-V	1052	2425	1.78	2873	2620	3032	2.16	17.5	Xd
MX21TG	123B2709	20.72	1	HBP	F	200-220/230V 50/60Hz	CSR	R	C-V	1052	2425	1.77	2873	2620	3032	2.15	17.6	Xd
MS22TB	123B2521	21.75	1	HMBP	F	220-240V 50Hz	CSR	R	C-V	972	2566	2.04	3077	2789	3228	2.50	20.5	Sc
MS26TB	123B2523	25.93	1 3/8	HMBP	F	220-240V 50Hz	CSR	R	C-V	1295	3185	2.02	3789	3449	3992	2.46	23.0	Sd
MS26TG	123B2524	25.93	1 3/8	HMBP	F	200-220/230V 50/60Hz	CSR	R	C-V	1295	3186	2.02	3791	3451	3994	2.46	23.0	Sd
MS34TB	123B2710	34.42	1 5/8	HBP	F	220-240V 50Hz	CSR	R	C-V	1860	4231	1.92	4959	4551	5267	2.30	22.7	Sd
MS34TG	123B2711	34.42	1 5/8	HBP	F	200-220/230V 50/60Hz	CSR	R	C-V	1860	4231	1.92	4959	4551	5267	2.30	22.7	Sd
MS18T3	123B2520	18.10	7/8	HMBP	F	400/440V 50/60Hz	3PHASE	R	C-V	838	2137	1.92	2557	2320	2685	2.35	20.0	Sb
MS22T3	123B2522	21.75	1	HMBP	F	400/440V 50/60Hz	3PHASE	R	C-V	975	2576	2.01	3090	2800	3241	2.45	20.0	Sb
MS26T3	123B2525	25.93	1 3/8	HMBP	F	400/440V 50/60Hz	3PHASE	R	C-V	1295	3186	2.01	3791	3451	3994	2.45	18.6	Sd
MS34T3	123B2526	34.42	1 5/8	HMBP	F	400/440V 50/60Hz	3PHASE	R	C-V	1860	4231	1.82	4958	4551	5267	2.20	22.8	Sd

 Green Cooling Models









 New Models

(**) Model under development. Provisional performance/data.


See design drawing on pages 40-41

(†) Ordering code for single compressors. For pallet packed compressors, please use 123F instead of 123B

R404A HMBP | HBP • 60 Hz

	MODEL	DANFOSS CODE (†)	DISPLACEMENT cm ³	POWER hp	APPLICATION	CPR COOLING	VOLTAGE FREQUENCY	MOTOR	STARTING	EXPANSION	REFRIGERATION CAPACITY						WEIGHT Kg	DESIGN	
											COP in W/W Evaporating Temperature °C								
											CECOMAF (W)			ASHRAE					
											-15	5		10	7.2				
W	COP	kcal/h	W	COP															
	MLY60RDa	123B2527	5.98	1/4	HMBP	F	115V 60Hz	CSIR	R	C-V	411	905	1.73	1065	975	1128	2.10	11.0	Lc
	MLY60RDb	123B2528	5.98	1/4	HMBP	F	115V 60Hz	CSR	R	C-V	411	905	1.86	1065	975	1128	2.27	11.0	Lc
	ML60TR	123B2529	5.68	1/4	HMBP	F	115-127V 60Hz	CSIR	R	C-V	325	758	1.5	901	820	949	1.83	10.0	Lc
	MLY80RDa	123B2530	8.10	3/8	HMBP	F	115V 60Hz	CSIR	R	C-V	543	1232	1.77	1457	1330	1539	2.15	11.2	Ld
	MLY80RDb	123B2531	8.10	3/8	HMBP	F	115V 60Hz	CSR	R	C-V	543	1232	1.83	1457	1330	1539	2.22	11.2	Ld
	ML40TG	123B2502	4.05	1/6	HMBP	F	200-240/220-230V 50/60Hz	CSIR	R	C-V	250	556	1.41	657	600	694	1.70	10.0	Lc
	ML45TG	123B2504	4.50	1/5	HMBP	F	200-240/220-230V 50/60Hz	CSIR	R	C-V	279	618	1.44	731	667	772	1.74	10.0	Lc
	ML60TG	123B2508	5.68	1/4	HMBP	F	200-220/230V 50/60Hz	CSIR	R	C-V	325	758	1.51	901	820	949	1.83	10.0	Lc
	ML80TG	123B2512	7.57	3/8	HMBP	F	200-240/220-230V 50/60Hz	CSIR	R	C-V	451	1029	1.61	1215	1110	1285	1.96	11.2	Ld
	ML90TG	123B2516	8.86	3/8	HMBP	F	200-220/230V 50/60Hz	CSIR	R	C-V	542	1235	1.56	1463	1334	1544	1.89	12.7	Ld
	MLY12RGa (**)	123B2701	10.70	3/8	HBP	F	200-240/220-230V 50/60Hz	CSIR	R	C-V	674	1537	1.74	1821	1660	1921	2.11	10.4	Ld
	MLY12RGb (**)	123B2702	10.70	3/8	HBP	F	200-240/220-230V 50/60Hz	CSR	R	C-V	674	1537	1.90	1821	1660	1921	2.30	10.4	Ld
	MPT12RG (**)	123B2703	12.10	3/8	HBP	F	200-240/220-230V 50/60Hz	CSR	R	C-V	794	1810	1.90	2145	1955	2263	2.30	12.6	Pd
	MPT14RG (**)	123B2705	14.32	1/2	HBP	F	200-240/220-230V 50/60Hz	CSR	R	C-V	794	1810	1.78	2145	2204	2551	2.17	13.5	Pd
	MX18TG	123B2519	18.40	7/8	HMBP	F	200-220/220-230V 50/60Hz	CSR	R	C-V	1095	2523	1.76	2989	2726	3155	2.15	17.0	Xd
	MX21TG	123B2709	20.72	1	HBP	F	200-220/230V 50/60Hz	CSR	R	C-V	1217	2799	1.74	3318	3026	3502	2.12	17.6	Xd
	MS26TG	123B2524	25.93	1 3/8	HMBP	F	200-220/230V 50/60Hz	CSR	R	C-V	1516	3729	1.96	4436	4038	4674	2.37	23.0	Sd
	MS34TG	123B2711	34.42	1 3/8	HBP	F	200-220/230V 50/60Hz	CSR	R	C-V	2158	4910	1.86	5755	5280	6111	2.23	23.0	Sd
	MS18T3	123B2520	18.10	7/8	HMBP	F	400/440V 50/60Hz	3PHASE	R	C-V	976	2487	1.85	2976	2700	3125	2.25	20.0	Sb
	MS22T3	123B2522	21.75	1	HMBP	F	400/440V 50/60Hz	3PHASE	R	C-V	1140	3014	1.97	3615	3277	3793	2.40	20.0	Sb
	MS26T3	123B2525	25.93	1 3/8	HMBP	F	400/440V 50/60Hz	3PHASE	R	C-V	1516	3729	1.86	4436	4038	4674	2.25	18.6	Sd
	MS34T3	123B2526	34.42	1 5/8	HMBP	F	400/440V 50/60Hz	3PHASE	R	C-V	2176	4948	1.73	5797	5321	6159	2.10	22.8	Sd

 Green Cooling Models

 New Models

(**) Model under development. Provisional performance/data.

See design drawing on pages 40-41

(†) Ordering code for single compressors. For pallet packed compressors, please use 123F instead of 123B

	Conditions			
	CECOMAF		ASHRAE	
	LBP	HMBP/HBP	LBP	HMBP/HBP
Evaporating temperature °C	-25	5	-23.3	7.2
Condensing temperature °C	55	55	55	55
Liquid temperature °C	55	55	32	46
Suction temperature °C	32	32	32	35
Ambient temperature °C	32	32	32	35

R290



R290 LBP • 50 Hz

Natural Refrigerant

MODEL	DANFOSS CODE (†)	DISPLACEMENT cm ³	POWER hp	APPLICATION	CPR COOLING	VOLTAGE FREQUENCY	MOTOR	STARTING	EXPANSION	REFRIGERATION CAPACITY							WEIGHT Kg	DESIGN
										COP in W/W Evaporating Temperature °C								
										CECOMAF (W)				ASHRAE				
										-30	-25		-10	-23.3				
											W	COP		kcal/h	W	COP		
ND36AA (**)	123B3101	3.6	1/10	LBP	S	220-240V 50Hz	RSIR	P	C	71	93	0.73	184	109	126	0.95	6.40	Db
NLY45LAa	123B3102	4.56	1/6	LBP	F	220-240V 50Hz	CSIR	R	C-V	115	151	1.04	298	176	204	1.35	10.0	Lc
NLY45LAb	123B3103	4.56	1/6	LBP	F	220-240V 50Hz	CSR	R	C-V	115	151	1.11	298	176	204	1.44	10.0	Lc
NUT55CAa	123B3104	5.50	1/6	LBP	F	220-240V 50Hz	RSIR	P	C	152	196	1.25	381	227	263	1.63	8.90	Ub
NUT55CAb	123B3105	5.50	1/6	LBP	F	220-240V 50Hz	RSCR	P	C	152	196	1.38	381	227	263	1.79	8.90	Ub
NLY60LAa	123B3106	5.98	1/5	LBP	F	220-240V 50Hz	CSIR	R	C-V	152	198	1.02	388	230	266	1.33	10.3	Lc
NLY60LAb	123B3107	5.98	1/5	LBP	F	220-240V 50Hz	CSR	R	C-V	152	198	1.09	388	230	266	1.42	10.3	Lc
NLY60CAa	123B3108	5.98	1/5	LBP	F	220-240V 50Hz	RSIR	P	C	152	198	1.02	388	230	266	1.33	10.3	Lc
NLY60CAb	123B3109	5.98	1/5	LBP	F	220-240V 50Hz	RSCR	P	C	152	198	1.09	388	230	266	1.42	10.3	Lc
NUT60CAa	123B3110	6.00	1/5	LBP	F	220-240V 50Hz	RSIR	P	C	170	223	1.30	431	261	302	1.69	9.15	Ub
NUT60CAb	123B3111	6.00	1/5	LBP	F	220-240V 50Hz	RSCR	P	C	170	223	1.39	431	261	302	1.80	9.15	Ub
NUT70CAa	123B3112	6.70	1/5	LBP	F	220-240V 50Hz	RSIR	P	C	195	246	1.31	436	288	333	1.69	9.20	Ub
NUT70CAb	123B3112	6.70	1/5	LBP	F	220-240V 50Hz	RSCR	P	C	195	246	1.39	436	288	333	1.80	9.20	Ub
NLY80LAa	123B3114	8.10	1/4	LBP	F	220-240V 50Hz	CSIR	R	C-V	201	263	1.04	524	306	354	1.35	10.9	Ld
NLY80LAb	123B3115	8.10	1/4	LBP	F	220-240V 50Hz	CSR	R	C-V	201	263	1.10	524	306	354	1.43	10.9	Ld
NLY90LAa	123B3116	9.09	1/3	LBP	F	220-240V 50Hz	CSIR	R	C-V	236	306	1.05	590	355	411	1.37	11.1	Ld
NLY90LAb	123B3117	9.09	1/3	LBP	F	220-240V 50Hz	CSR	R	C-V	236	306	1.11	590	355	411	1.44	11.1	Ld
NLY12LAa	123B3118	10.7	3/8	LBP	F	220-240V 50Hz	CSIR	R	C-V	267	359	0.94	746	420	486	1.23	11.3	Ld
NLY12LAb	123B3119	10.7	3/8	LBP	F	220-240V 50Hz	CSR	R	C-V	267	359	1.00	746	420	486	1.30	11.3	Ld
NPY12LAa	123B3120	12.10	3/8	LBP	F	220-240V 50Hz	CSIR	R	C-V	308	401	1.04	781	465	538	1.35	12.3	Pd
NPY12LAb	123B3121	12.10	3/8	LBP	F	220-240V 50Hz	CSR	R	C-V	308	401	1.15	781	465	538	1.49	12.3	Pd
NPY14LAa	123B3122	14.32	1/2	LBP	F	220-240V 50Hz	CSIR	R	C-V	375	484	1.05	926	560	648	1.35	12.8	Pd
NPY14LAb	123B3123	14.32	1/2	LBP	F	220-240V 50Hz	CSR	R	C-V	375	484	1.14	926	560	648	1.48	12.8	Pd
NPT16LA	123B3124	16.15	1/2	LBP	F	220-240V 50Hz	CSR	R	C-V	445	556	1.15	1122	650	752	1.50	12.8	Pd
NPT18LA (**)	123B3125	18.00	5/8	LBP	F	220-240V 50Hz	CSR	R	C-V	510	637	1.16	1286	745	862	1.51	12.7	Pd
NX18FBa	123B3126	18.40	5/8	LBP	F	220-240V 50Hz	CSR	R	C-V	471	603	1.11	1193	705	816	1.44	16.0	Xd
NX21FBa	123B3127	20.72	3/4	LBP	F	220-240V 50Hz	CSR	R	C-V	507	667	1.09	1285	780	903	1.42	16.0	Xd
NX23FBa	123B3128	23.20	7/8	LBP	F	220-240V 50Hz	CSR	R	C-V	600	737	1.08	1394	862	998	1.41	17.5	Xd

Green Cooling Models

New Models

(**) Model under development. Provisional performance/data.













See design drawing on pages 40-41

(†) Ordering code for single compressors. For pallet packed compressors, please use 123F instead of 123B


Danfoss Light Commercial Refrigeration Compressors

R290 LBP • 60 Hz

Natural Refrigerant

	MODEL	DANFOSS CODE (a)	DISPLACEMENT cm ³	POWER hp	APPLICATION	CPR COOLING	VOLTAGE FREQUENCY	MOTOR	STARTING	EXPANSION	REFRIGERATION CAPACITY						WEIGHT Kg	DESIGN	
											COP in W/W Evaporating Temperature °C								
											CECOMAF (W)			ASHRAE					
											-30	-25		-10	-23.3				
												W	COP		kcal/h	W			COP
	NLY45LRa	123B3129	4.56	1/6	LBP	F	115-127V 60Hz	CSIR	R	C-V	136	178	1.00	349	207	240	1.30	10.3	Lc
	NLY45LRb	123B3130	4.56	1/6	LBP	F	115-127V 60Hz	CSR	R	C-V	136	178	1.06	349	207	240	1.38	10.3	Lc
	NLY60LRa	123B3131	5.98	1/5	LBP	F	115-127V 60Hz	CSIR	R	C-V	197	257	1.11	504	300	347	1.44	10.3	Lc
	NLY60LRb	123B3132	5.98	1/5	LBP	F	115-127V 60Hz	CSR	R	C-V	197	257	1.16	504	300	347	1.51	10.3	Lc
	NLY80LRa	123B3133	8.10	1/4	LBP	F	115-127V 60Hz	CSIR	R	C-V	244	319	1.05	625	373	432	1.37	10.9	Lc
	NLY80LRb	123B3134	8.10	1/4	LBP	F	115-127V 60Hz	CSR	R	C-V	244	319	1.12	625	373	432	1.46	10.9	Lc
	NLY90LRa (**)	123B3135	9.09	1/3	LBP	F	115-127V 60Hz	CSIR	R	C-V	275	359	1.05	704	417	483	1.36	11.2	Ld
	NLY90LRb (**)	123B3136	9.09	1/3	LBP	F	115-127V 60Hz	CSR	R	C-V	275	359	1.12	704	417	483	1.44	11.2	Ld
	NPY12LRa	123B3137	12.10	1/8	LBP	F	115-127V 60Hz	CSIR	R	C-V	361	470	1.05	922	546	632	1.35	12.3	Pd
	NPY12LRb	123B3138	12.10	1/8	LBP	F	115-127V 60Hz	CSR	R	C-V	361	470	1.12	922	546	632	1.44	12.3	Pd
	NPY14LFa (**)	123B3139	14.32	1/2	LBP	F	208-230V 60Hz	CSIR	R	C-V	465	605	1.42	1187	702	813	1.83	12.3	Pd
	NPY14LFb (**)	123B3140	14.32	1/2	LBP	F	208-230V 60Hz	CSR	R	C-V	465	605	1.56	1187	702	813	2.01	12.3	Pd

 Green Cooling Models

 New Models

(**) Model under development. Provisional performance/data.

See design drawing on pages 40-41

(a) Ordering code for single compressors. For pallet packed compressors, please use 123F instead of 123B

R290 HMBP • 50 Hz

Natural Refrigerant

MODEL	DANFOSS CODE (†)	DISPLACEMENT cm ³	POWER hp	APPLICATION	CPR COOLING	VOLTAGE FREQUENCY	MOTOR	STARTING	EXPANSION	REFRIGERATION CAPACITY							WEIGHT Kg	DESIGN
										COP in W/W Evaporating Temperature °C								
										CECOMAF (W)				ASHRAE				
										-15	5		10	7.2				
											W	COP		kcal/h	W	COP		
ND30MBd	123B3501	3.1	1/8	HMBP	F	220-240V 50Hz	CSIR	R	C-V	142	318	1.80	376	328	380	2.11	6.40	Dd
ND36MBd (**)	123B3502	3.6	1/8	HMBP	F	220-240V 50Hz	CSIR	R	C-V	167	374	1.67	442	385	446	1.95	6.50	Dd
NL40TBa	123B3503	4.05	1/5	HMBP	F	220-240V 50Hz	RSIR	R	C	194	434	1.88	513	445	515	2.20	9.5	Lc
NLY45RAa	123B3504	4.56	1/5	HMBP	F	220-240V 50Hz	CSIR	R	C-V	237	518	2.15	609	530	613	2.51	10.0	Lc
NLY45Rab	123B3505	4.56	1/5	HMBP	F	220-240V 50Hz	CSR	R	C-V	237	518	2.35	609	530	613	2.75	10.0	Lc
NLY60RAa	123B3506	5.98	1/4	HMBP	F	220-240V 50Hz	CSIR	R	C-V	324	703	2.21	829	720	833	2.58	10.4	Lc
NLY60Rab	123B3507	5.98	1/4	HMBP	F	220-240V 50Hz	CSR	R	C-V	324	703	2.40	829	720	833	2.79	10.4	Lc
NLY75RAa	123B3508	7.57	3/8	HMBP	F	220-240V 50Hz	CSIR	R	C-V	395	857	2.26	1010	883	1022	2.65	11.0	Ld
NLY75Rab	123B3509	7.57	3/8	HMBP	F	220-240V 50Hz	CSR	R	C-V	395	857	2.42	1010	883	1022	2.84	11.0	Ld
NLY80RAa	123B3510	8.10	3/8	HMBP	F	220-240V 50Hz	CSIR	R	C-V	411	929	2.22	1103	955	1105	2.60	11.4	Ld
NLY80Rab	123B3511	8.10	3/8	HMBP	F	220-240V 50Hz	CSR	R	C-V	411	929	2.39	1103	955	1105	2.80	11.4	Ld
NLY90RAa	123B3512	9.09	3/8	HMBP	F	220-240V 50Hz	CSIR	R	C-V	480	1054	2.20	1244	1080	1250	2.56	11.4	Ld
NLY90Rab	123B3513	9.09	3/8	HMBP	F	220-240V 50Hz	CSR	R	C-V	480	1054	2.38	1244	1080	1250	2.78	11.4	Ld
NPY12RAa	123B3701	12.10	1/2	HBP	F	220-240V 50Hz	CSIR	R	C-V	655	1462	2.12	1728	1500	1736	2.45	12.3	Pd
NPY12Rab	123B3702	12.10	1/2	HBP	F	220-240V 50Hz	CSR	R	C-V	655	1462	2.33	1728	1500	1736	2.70	12.3	Pd
NPT14RA	123B3703	14.32	1/2	HBP	F	220-240V 50Hz	CSR	R	C-V	769	1724	2.30	2038	1776	2056	2.69	12.3	Pd
NX18TBa (**)	123B3514	18.40	3/4	HMBP	F	220-240V 50Hz	CSR	R	C-V	886	2041	2.23	2415	2102	2433	2.61	16.8	Xc
NX21TBa	123B3515	20.72	7/8	HMBP	F	220-240V 50Hz	CSR	R	C-V	979	2266	2.18	2678	2334	2701	2.55	17.3	Xd

R290 HMBP • 60 Hz

Natural Refrigerant

MODEL	DANFOSS CODE (†)	DISPLACEMENT cm ³	POWER hp	APPLICATION	CPR COOLING	VOLTAGE FREQUENCY	MOTOR	STARTING	EXPANSION	REFRIGERATION CAPACITY							WEIGHT Kg	DESIGN
										COP in W/W Evaporating Temperature °C								
										CECOMAF (W)				ASHRAE				
										-15	5		10	7.2				
											W	COP		kcal/h	W	COP		
NLY45RRa	123B3516	4.56	1/6	HMBP	F	115-127V 60Hz	CSIR	R	C-V	279	615	2.06	725	633	733	2.41	10.5	Lc
NLY45RRb	123B3517	4.56	1/6	HMBP	F	115-127V 60Hz	CSR	R	C-V	279	615	2.23	725	633	733	2.61	10.5	Lc
NLY60RRa	123B3518	5.98	1/5	HMBP	F	115-127V 60Hz	CSIR	R	C-V	372	820	2.08	968	845	978	2.43	10.8	Lc
NLY60RRb	123B3519	5.98	1/5	HMBP	F	115-127V 60Hz	CSR	R	C-V	372	820	2.26	968	845	978	2.65	10.8	Lc
NLY75RRa	123B3520	7.57	1/5	HMBP	F	115-127V 60Hz	CSIR	R	C-V	467	1029	2.14	1215	1060	1227	2.50	11.0	Ld
NLY75RRb	123B3521	7.57	1/5	HMBP	F	115-127V 60Hz	CSR	R	C-V	467	1029	2.37	1215	1060	1227	2.77	11.0	Ld
NLY80RRa	123B3522	8.10	1/4	HMBP	F	115-127V 60Hz	CSIR	R	C-V	496	1092	2.09	1289	1125	1302	2.45	11.1	Ld
NLY80RRb	123B3523	8.10	1/4	HMBP	F	115-127V 60Hz	CSR	R	C-V	496	1092	2.28	1289	1125	1302	2.67	11.1	Ld
NLY90RRa (**)	123B3524	9.09	1/3	HMBP	F	115-127V 60Hz	CSIR	R	C-V	562	1239	2.19	1462	1269	1469	2.56	11.4	Ld
NLY90RRb (**)	123B3525	9.09	1/3	HMBP	F	115-127V 60Hz	CSR	R	C-V	562	1239	2.36	1462	1269	1469	2.76	11.4	Ld

Green Cooling Models
 New Models

(**) Model under development. Provisional performance/data.

See design drawing on pages 40-41

(†) Ordering code for single compressors. For pallet packed compressors, please use 123F instead of 123B

R290 HMBP • 50 | 60 Hz

Variable Speed Compressors

MODEL	DANFOSS CODE (†)	DISPLACEMENT cm ³	APPLICATION	COOLING	VOLTAGE FREQUENCY	MOTOR	EXPANSION	SPEED rpm	REFRIGERATION CAPACITY							WEIGHT Kg	DESIGN
									COP in W/W Evaporating Temperature °C								
									CECOMAF (W)				ASHRAE				
									-15	+5		+10	+7.2				
										W	COP		kcal/h	W	(W/W)		
NLT60FSN	123B3991	5.98	HMBP	F	220-240V 50/60Hz	ECM	C	1800	180	476	2.76	578	466	539	3.08		
								2100	214	557	2.79	675	545	631	3.12		
								2400	244	633	2.75	764	619	716	3.07		
								3000	308	787	2.63	948	770	891	2.94		
								3600	358	941	2.55	1144	920	1065	2.85		
	123B3992**				100-127V 50/60Hz												

R290 LBP • 50 | 60 Hz

Variable Speed Compressors

MODEL	DANFOSS CODE (†)	DISPLACEMENT cm ³	APPLICATION	COOLING	VOLTAGE FREQUENCY	MOTOR	EXPANSION	SPEED rpm	REFRIGERATION CAPACITY							WEIGHT Kg	DESIGN
									COP in W/W Evaporating Temperature °C								
									CECOMAF (W)				ASHRAE				
									-30	-25		-10	-23.3				
										W	COP		kcal/h	W	(W/W)		
NPT12FSC (*)	123B3993	12.10	LBP	F	220-240V 50/60Hz	ECM	C	1800	196	257	1.18	521	300	347	1.52		
								2100	233	306	1.28	601	352	407	1.65		
								2400	268	349	1.26	680	405	469	1.63		
								3000	326	419	1.25	-	485	561	1.60		
								3600	393	506	1.22	-	585	677	1.57		
	123B3994				100-127V 50/60Hz (**)												

Green Cooling Models

(*) Different electronic driver depending on the voltage range.

(**) Model under development. Provisional performances/data.

See design drawing on pages 40-41

(†) Ordering code for single compressors. For pallet packed compressors, please use 123F instead of 123B

	Conditions			
	CECOMAF		ASHRAE	
	LBP	HMBP/HBP	LBP	HMBP/HBP

Evaporating temperature °C	-25	5	-23.3	7.2
Condensing temperature °C	55	55	55	55
Liquid temperature °C	55	55	32	46
Suction temperature °C	32	32	32	35
Ambient temperature °C	32	32	32	35

R600a



Danfoss Light Commercial Refrigeration Compressors

R600a LBP • 50 Hz

	MODEL	DANFOSS CODE (α)	DISPLACEMENT cm ³	POWER hp	APPLICATION	CPR COOLING	VOLTAGE FREQUENCY	MOTOR	STARTING	EXPANSION	REFRIGERATION CAPACITY						WEIGHT Kg	DESIGN
											COP in W/W Evaporating Temperature °C							
											CECOMAF (W)			ASHRAE				
											-30	-25		-10	-23.3			
												W	COP		kcal/h	W		
HD40AA	123B4101	4.06	1/20	LBP	S	220-240V 50Hz	RSIR	P	C	36	44	0.67	94	50	58	0.86	5.2	Db
HLY45AAa	123B4102	4.56	1/12	LBP	S	220-240V 50Hz	RSIR	P	C	36	52	0.97	111	60	69	1.25	6.8	Lb
HLY45AAb	123B4103	4.56	1/12	LBP	S	220-240V 50Hz	RSCR	P	C	36	52	1.02	112	60	69	1.32	6.8	Lb
HLY55AAa	123B4104	5.46	1/9	LBP	S	220-240V 50Hz	RSIR	P	C	44	62	1.03	130	72	83	1.33	8.9	Lb
HLY55AAb	123B4105	5.46	1/9	LBP	S	220-240V 50Hz	RSCR	P	C	44	62	1.10	131	72	83	1.42	8.9	Lb
HLY70AAa	123B4106	6.65	1/8	LBP	S	220-240V 50Hz	RSIR	P	C	59	80	1.08	162	92	106	1.37	9.1	Lb
HLY70AAb	123B4107	6.65	1/8	LBP	S	220-240V 50Hz	RSCR	P	C	59	81	1.15	163	93	108	1.46	9.1	Lb
HLY80AAa	123B4108	8.10	1/7	LBP	S	220-240V 50Hz	RSIR	P	C	74	99	1.11	201	113	131	1.41	9.1	Lb
HLY80AAb	123B4109	8.10	1/7	LBP	S	220-240V 50Hz	RSCR	P	C	74	99	1.17	203	113	131	1.49	9.1	Lb
HLY90AAa	123B4110	9.09	1/6	LBP	S	220-240V 50Hz	RSIR	P	C	84	109	1.11	230	125	145	1.41	9.5	Lc
HLY90AAb	123B4111	9.09	1/6	LBP	S	220-240V 50Hz	RSCR	P	C	84	111	1.17	233	127	147	1.49	9.5	Lc
HLY99AAa	123B4112	9.95	1/6	LBP	S	220-240V 50Hz	RSIR	P	C	90	119	1.10	248	136	157	1.40	10.6	Lc
HLY99AAb	123B4113	9.95	1/6	LBP	S	220-240V 50Hz	RSCR	P	C	90	119	1.16	249	137	159	1.48	10.6	Lc
HPY12AAa	123B4114	12.10	1/5	LBP	S	220-240V 50Hz	RSIR	P	C	107	144	1.12	300	165	191	1.43	11.0	Pc
HPY12AAb	123B4115	12.10	1/5	LBP	S	220-240V 50Hz	RSCR	P	C	107	144	1.18	300	165	191	1.50	11.0	Pd
HPY12AGa	123B4116	12.10	1/4	LBP	S	200-220/220-230V 50/60Hz	RSIR	P	C	107	144	1.10	300	165	191	1.40	10.9	Pc
HPY12AGb	123B4117	12.10	1/4	LBP	S	200-220/220-230V 50/60Hz	RSCR	P	C	107	144	1.16	300	165	191	1.48	10.9	Pc
HPY14AAa	123B4118	14.32	1/5	LBP	S	220-240V 50Hz	RSIR	P	C	124	166	1.13	344	190	220	1.43	11.0	Pc
HPY14AAb	123B4119	14.32	1/5	LBP	S	220-240V 50Hz	RSCR	P	C	124	166	1.18	344	190	220	1.50	11.0	Pd
HPY14AJa	123B4120	14.32	1/5	LBP	S	100V 50/60Hz	RSIR	P	C	122	161	1.03	336	185	214	1.25	11.0	Pc
HPY14AJb	123B4121	14.32	1/5	LBP	S	100V 50/60Hz	RSCR	P	C	122	161	1.07	336	185	214	1.35	11.0	Pd
HPY16AAa	123B4122	16.15	1/4	LBP	S	220-240V 50Hz	RSIR	P	C	136	181	1.13	380	208	241	1.44	11.0	Pc
HPY16AAb	123B4123	16.15	1/4	LBP	S	220-240V 50Hz	RSCR	P	C	136	181	1.19	380	208	241	1.51	11.0	Pd

R600a LBP • 60 Hz

	MODEL	DANFOSS CODE (α)	DISPLACEMENT cm ³	POWER hp	APPLICATION	CPR COOLING	VOLTAGE FREQUENCY	MOTOR	STARTING	EXPANSION	REFRIGERATION CAPACITY						WEIGHT Kg	DESIGN
											COP in W/W Evaporating Temperature °C							
											CECOMAF (W)			ASHRAE				
											-30	-25		-10	-23.3			
												W	COP		kcal/h	W		
HPY14AJa	123B4120	14.32	1/5	LBP	S	100V 50/60Hz	RSIR	P	C	141	190	1.07	390	220	255	1.35	11.0	Pc
HPY14AJb	123B4121	14.32	1/5	LBP	S	100V 50/60Hz	RSCR	P	C	141	190	1.13	390	220	255	1.44	11.0	Pd
HPY12AGa	123B4116	12.10	1/4	LBP	S	200-220/220-230V 50/60Hz	RSIR	P	C	124	167	1.08	348	191	221	1.37	10.9	Pc
HPY12AGb	123B4117	12.10	1/4	LBP	S	200-220/220-230V 50/60Hz	RSCR	P	C	124	167	1.14	348	191	221	1.44	10.9	Pc

Green Cooling Models

New Models

See design drawing on pages 40-41

(α) Ordering code for single compressors. For pallet packed compressors, please use 123F instead of 123B

Danfoss Light Commercial Refrigeration Compressors

R600a HMBP • 50 Hz

MODEL	DANFOSS CODE (α)	DISPLACEMENT cm ³	POWER hp	APPLICATION	CPR COOLING	VOLTAGE FREQUENCY	MOTOR	STARTING	EXPANSION	REFRIGERATION CAPACITY							WEIGHT Kg	DESIGN
										COP in W/W Evaporating Temperature °C								
										CECOMAF (W)				ASHRAE				
										-15	5		10	7.2				
W	COP	kcal/h	W	COP														
HD40MBa	123B4501	4.06	1/14	HMBP	S	220-240V 50Hz	RSIR	P	C	72	178	1.65	214	182	211	1.91	6.0	Dd
HLY55MAa	123B4502	5.46	1/10	HMBP	S	220-240V 50Hz	RSIR	P	C	96	250	2.20	300	255	295	2.51	9.0	Lb
HLY55MAb	123B4503	5.46	1/10	HMBP	S	220-240V 50Hz	RSCR	P	C	96	250	2.32	300	255	295	2.67	9.0	Lb
HLY55MAc (***)	123B4504	5.46	1/10	HMBP	S	220-240V 50Hz	CSIR	R	C-V	96	250	2.20	300	255	295	2.51	9.0	Lb
HUY55MAa	123B4505	5.5	1/6	HMBP	S	220-240V 50Hz	RSIR	P	C	186	239	2.28	456	280	324	2.96	8.85	Ub
HUY55MAb	123B4506	5.5	1/6	HMBP	S	220-240V 50Hz	RSCR	P	C	186	239	2.39	456	280	324	3.10	8.85	Ub
HLY70MAa	123B4507	6.65	1/8	HMBP	S	220-240V 50Hz	RSIR	P	C	120	307	2.18	370	314	363	2.50	8.4	Lb
HLY70MAb	123B4508	6.65	1/8	HMBP	S	220-240V 50Hz	RSCR	P	C	120	307	2.34	370	314	363	2.69	8.4	Lb
HLY70MAc (***)	123B4509	6.65	1/8	HMBP	S	220-240V 50Hz	CSIR	R	C-V	120	307	2.18	370	314	363	2.50	8.4	Lb
HLY70MAad (***)	123B4510	6.65	1/8	HMBP	F	220-240V 50Hz	CSIR	R	C-V	120	307	2.18	370	314	363	2.50	8.4	Lb
HUY70MAa (**)	123B4511	6.7	1/5	HMBP	S	220-240V 50Hz	RSIR	P	C	230	296	2.28	565	346	400	2.96	9.00	Ub
HUY70MAb (**)	123B4512	6.7	1/5	HMBP	S	220-240V 50Hz	RSCR	P	C	230	296	2.34	565	346	400	3.04	9.00	Ub
HLY99RAa	123B4513	9.95	1/5	HMBP	F	220-240V 50Hz	CSIR	R	C-V	197	460	2.07	553	470	544	2.39	10.2	Lc
HLY99RAB	123B4514	9.95	1/5	HMBP	F	220-240V 50Hz	CSR	R	C-V	197	460	2.26	553	470	544	2.61	10.2	Lc
HPY12RAa	123B4515	12.10	1/4	HMBP	F	220-240V 50Hz	CSIR	R	C-V	252	562	2.12	680	575	666	2.45	10.5	Pc
HPY12RAB	123B4516	12.10	1/4	HMBP	F	220-240V 50Hz	CSR	R	C-V	252	562	2.32	680	575	666	2.68	10.5	Pc
HPY14RAa	123B4517	14.32	1/4	HMBP	F	220-240V 50Hz	CSIR	R	C-V	294	670	2.11	808	685	793	2.43	10.9	Pd
HPY14RAB	123B4518	14.32	1/4	HMBP	F	220-240V 50Hz	CSR	R	C-V	294	670	2.31	808	685	793	2.66	10.9	Pd
HPY16RAa	123B4519	16.15	3/8	HMBP	F	220-240V 50Hz	CSIR	R	C-V	334	753	2.40	905	770	891	2.40	11.1	Pd
HPY16RAB	123B4520	16.15	3/8	HMBP	F	220-240V 50Hz	CSR	R	C-V	334	753	2.27	905	770	891	2.62	11.1	Pd

R600a LBP | MBP | HBP • DC 50 | 60 Hz

Mobile Compressor

MODEL	DANFOSS CODE (α)	DISPLACEMENT cm ³	APPLICATION	COOLING	VOLTAGE FREQUENCY	MOTOR	EXPANSION	SPEED rpm	REFRIGERATION CAPACITY							WEIGHT Kg	DESIGN	
									COP in W/W Evaporating Temperature °C									
									CECOMAF (W)				ASHRAE					
									-30	-25		-10	+10	-23.3				
W	COP	kcal/h	W	(W/W)														
HD36FDC 12-42V (*)	123B4928	3.6	LBP MBP HBP	S/F	12-24-42V DC	ECM	C	1500	16	19	1.03	44	112	22	25	1.26	5.5	Db (**)
								2000	20	25	1.05	58	147	28	32	1.28		
								2500	26	31	1.06	72	182	35	41	1.30		
								3000	30	37	1.02	86	216	42	49	1.24		
								3500	34	42	1.01	102	250	48	56	1.22		

Green Cooling Models

New Models

See design drawing on pages 40-41

(**) Model under development. Provisional performance/data.

(***) First lowercase letter indicates:

b = Running capacitor included; a = Running capacitor not included

Second lowercase letter indicates:

c = Statically cooled with starting capacitor; a = Statically cooled without starting capacitor; d = Fan cooled with starting capacitor;

b = Fan cooled without starting capacitor

(α) Ordering code for single compressors. For pallet packed compressors, please use 123F instead of 123B

Conditions			
CECOMAF		ASHRAE	
LBP	HMBP/HBP	LBP	HMBP/HBP

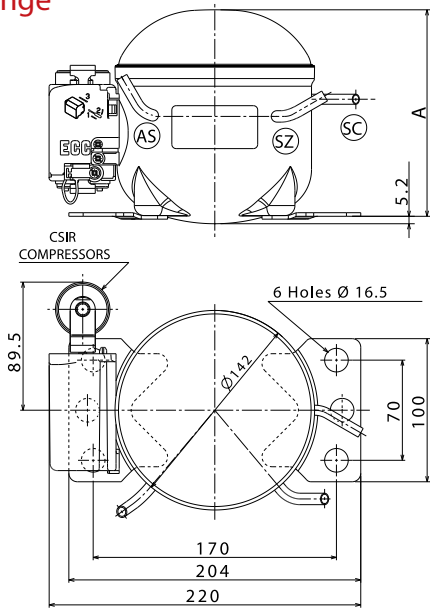
Evaporating temperature °C	-25	5	-23.3	7.2
Condensing temperature °C	55	55	55	55
Liquid temperature °C	55	55	32	46
Suction temperature °C	32	32	32	35
Ambient temperature °C	32	32	32	35

Technical Information



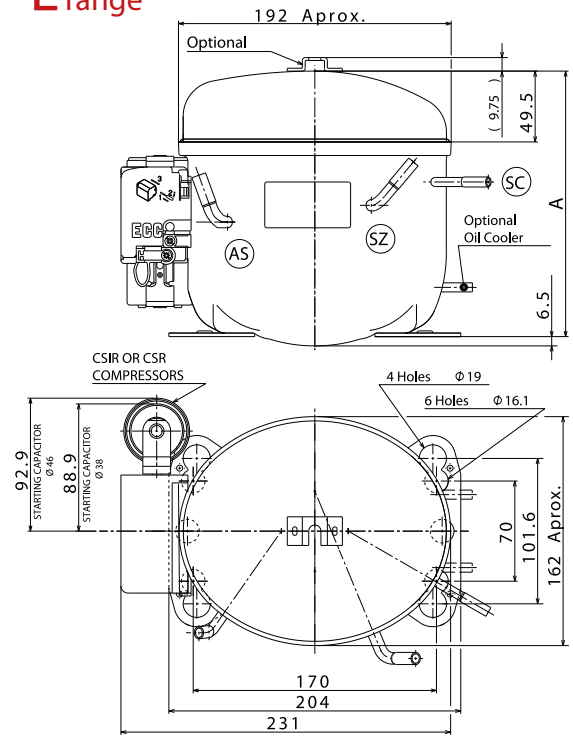
Compressor Dimensional Drawings

D range



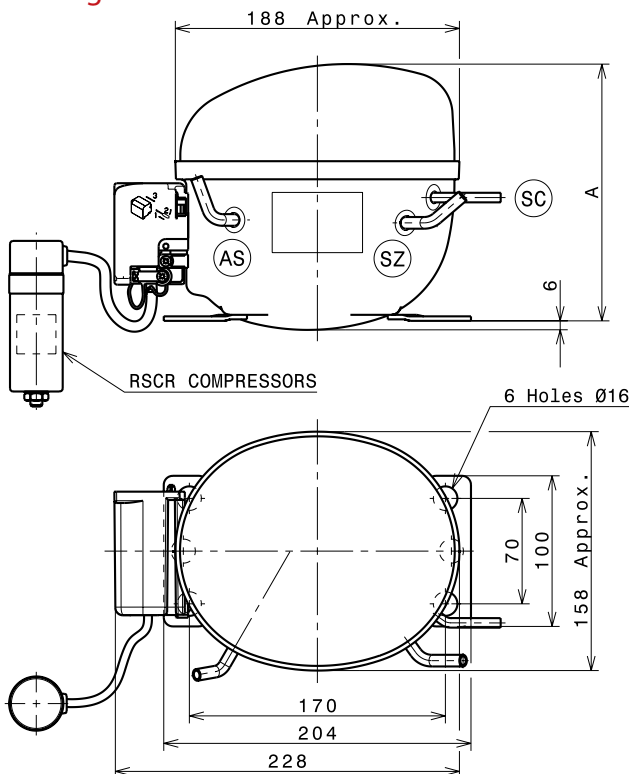
	A (mm)	LEGEND	
Db	149.5	AS	Suction/Service
Dc	157.5	SC	Discharge
Dd	162.5	SZ	Service/Suction

L range



	A (mm)	LEGEND	
Lb	175	AS	Suction/Service
Lc	185.6	SC	Discharge
Ld	198	SZ	Service/Suction

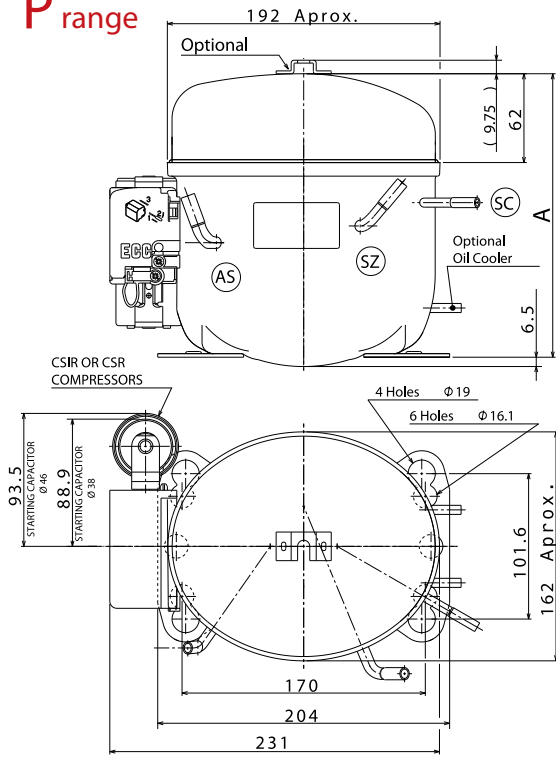
U range



	A (mm)
Ub	173.5
Uc	176.5

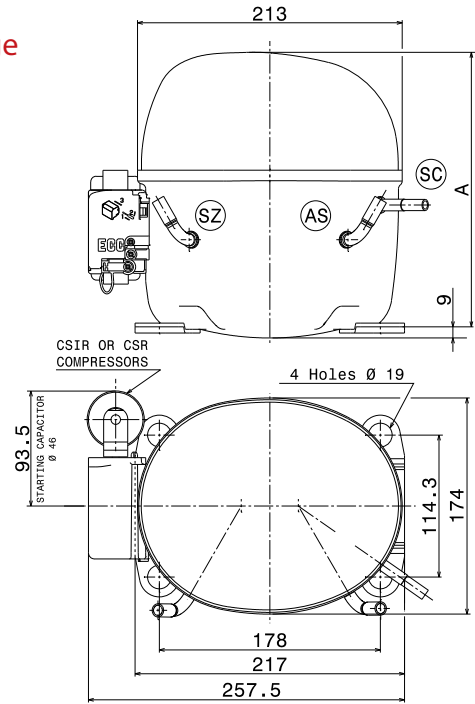
LEGEND	
AS	Service
SC	Discharge
SZ	Suction

P range



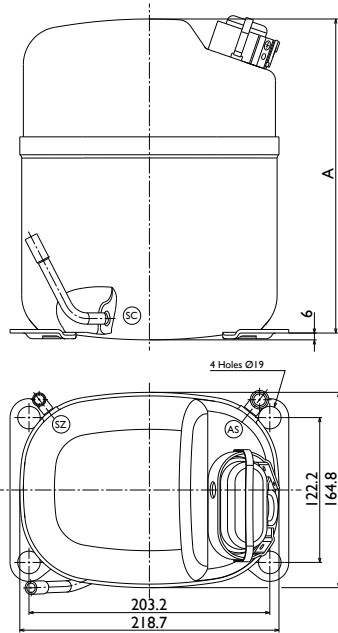
	A (mm)	LEGEND
Pc	198.1	AS Suction/Service
Pd	210.5	SC Discharge
		SZ Service/Suction

X range



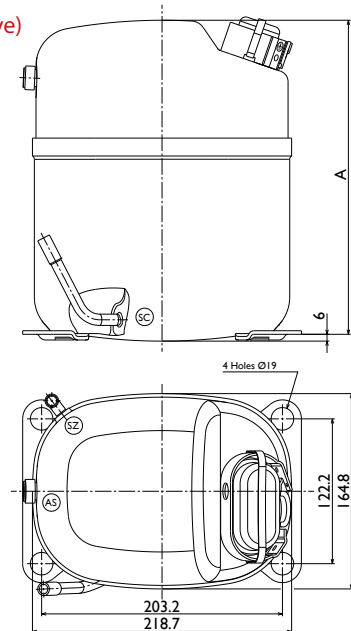
	A (mm)	LEGEND
Xc	215	AS Suction/Service
Xd	221	SC Discharge
		SZ Service/Suction

S range (Tube)



	A (mm)	LEGEND
Sb	252	AS Suction/Service
Sc	265	SC Discharge
Sd	276	SZ Service/Suction

S range (Valve)



	A (mm)	LEGEND
Sb	252	AS Suction/Service
Sc	265	SC Discharge
Sd	276	SZ Service/Suction

Packaging

Single Box

		Box dimensions (mm)			Pallet dimensions (mm)	
	Range	Length	Width	Height	Length	Width
Compressors	D	257	172	145/160	1010	1010
	U	300	192	167/185	1200	1050
	L & P	300	192	167/185/198/214	1200	1050
	X & P (w/ connecting box)	320	192	222	1050	1050
	X	347	207	230	1050	1050
	S	282	215	363	1010	1010

Tray

		Tray dimensions (mm)		Pallet dimensions (mm)	
	Range	Length	Width	Length	Width
Compressors	D	1010	1010	1010	1010
	U (TIR)	1120	810	1200	800
	U (Container)	1120	810	1120	800
	L & P	1060	990	1050	1050
	X	1050	1020	1050	1050
	S	1050	1050	1050	1050

Quantities per Pallet

Range	Tray			Single Box		
	Qty / Level	Nº Levels	Qty / Pallet	Qty / Level	No. Levels	Qty / Pallet
D	24	5	120	24	5	120
U	18	5	90	20	5	100
L	24	5	120	20	5	100
P	24	5	120	20	5	100
P w/ connecting Box	24	5	120	16	4	64
X	17	4	68	16	4	64
X w/ connecting Box	17	4	68	15	4	60
S	24	2	48	16	3	48

Fixings

Fixings allow the manufacturer of appliances to fix the compressor to the appliance base, connecting it to the cooling system.

Mounting feet

Range	Mounting feet
D	European type. Set of 4 holes of 16mm DIA with inter-axes: 70x170mm
U	European type. Set of 4 holes of 16mm DIA with inter-axes: 70x170mm
L / P	European type Set of 4 holes of 16 mm DIA with inter-axes: 70 x 170 mm American type Two sets of 4 holes: 1. Set of 16 mm DIA with inter-axes: 70 x 170 mm 2. Set of ¾ inch (19 mm) DIA with inter-axes: 4 x 6 1/2 inch (101.6 x 165 mm)
X	One set of 4 holes of 19 mm (¾ inch) DIA with inter-axes: 114.3 x 178 mm (4 1/2 x 7 inch)
S	One set of 4 holes of 19 mm (¾ inch) DIA with inter-axes: 122.2 x 200.2 mm (4 13/16 x 7 7/8 inch)

Silent Blocks (Mounting accessories)

STANDARD
D.16 holds net (170x70)

1. Mounting sleeve

2. Silent Block

AMERICAN FEET
D.19 holds net (165x101.6)

1. Mounting sleeve

2. Silent Block

SNAP-ON
D.16 holds net (170x70)

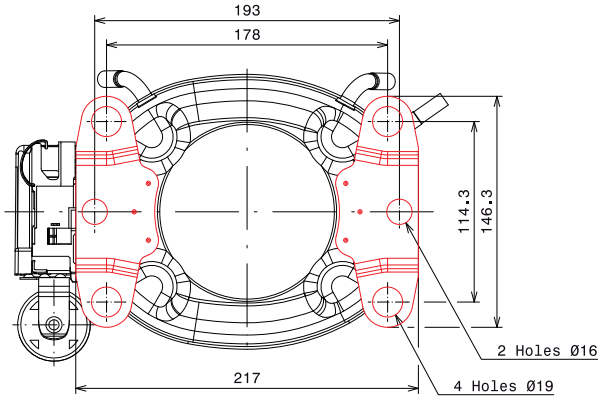
1. Clip

2. Washer

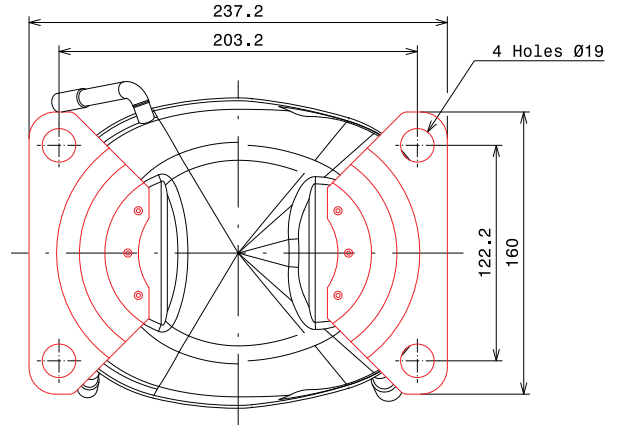
3. Silent Block

4. Axis

X Range

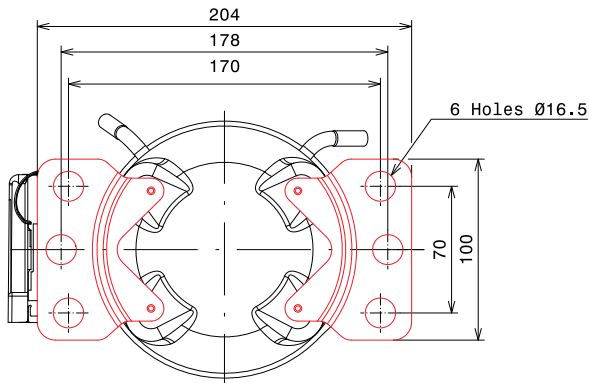


S Range



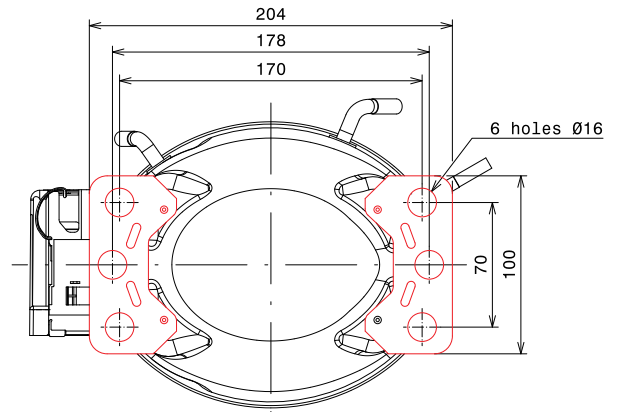
European mounting feet

D Range



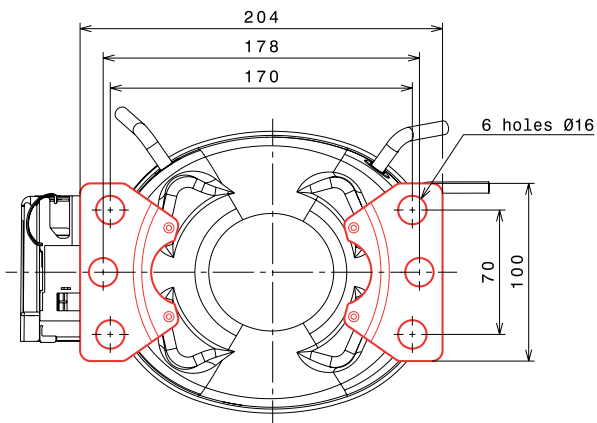
European mounting feet

L / P Range



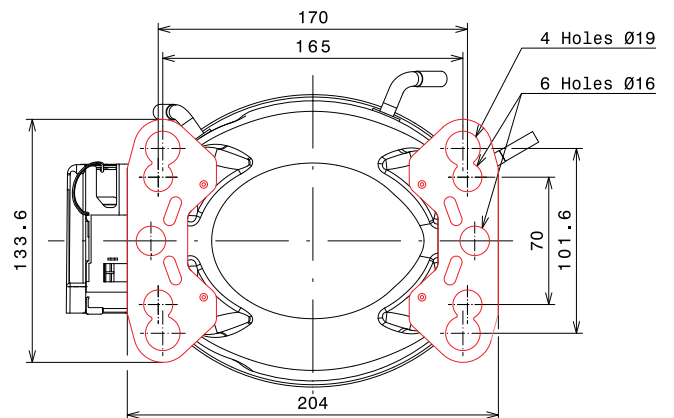
European mounting feet

U Range



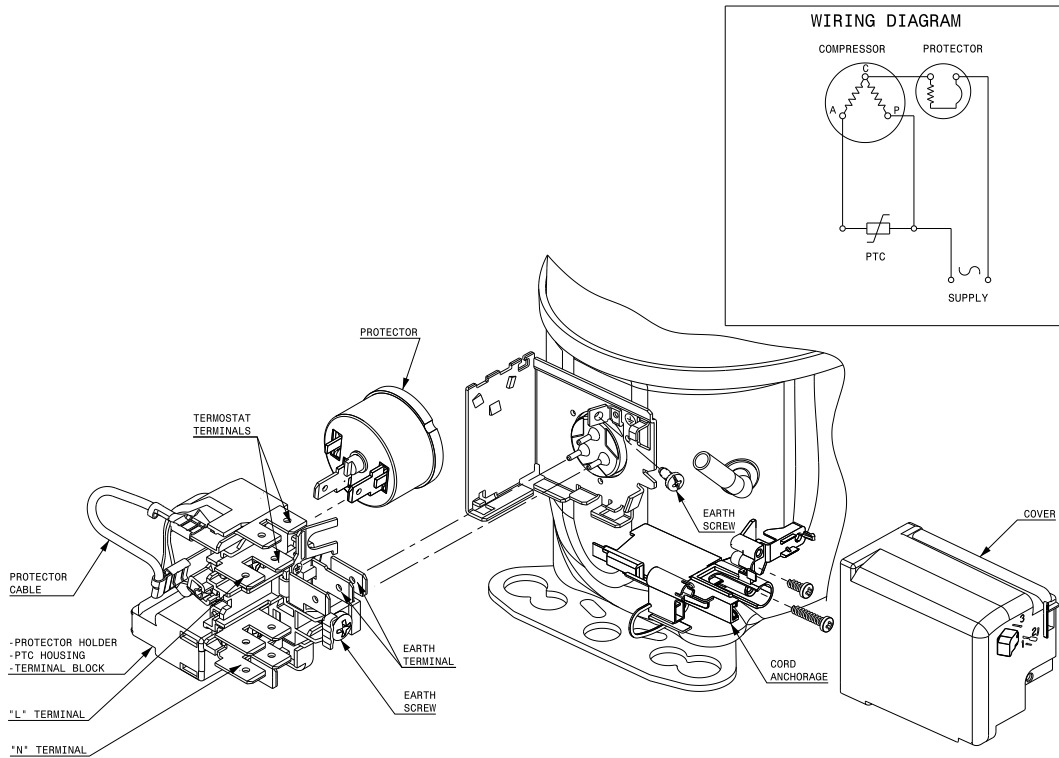
American mounting feet

L / P Range

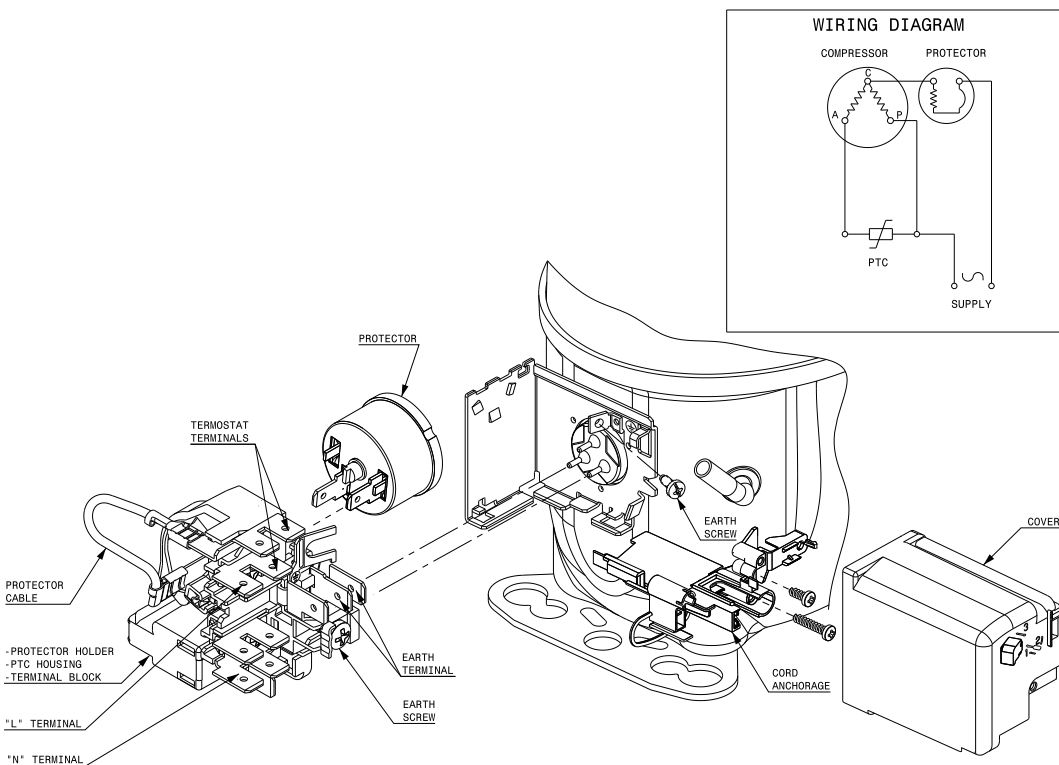


Wiring Diagrams and Electrical Assembly

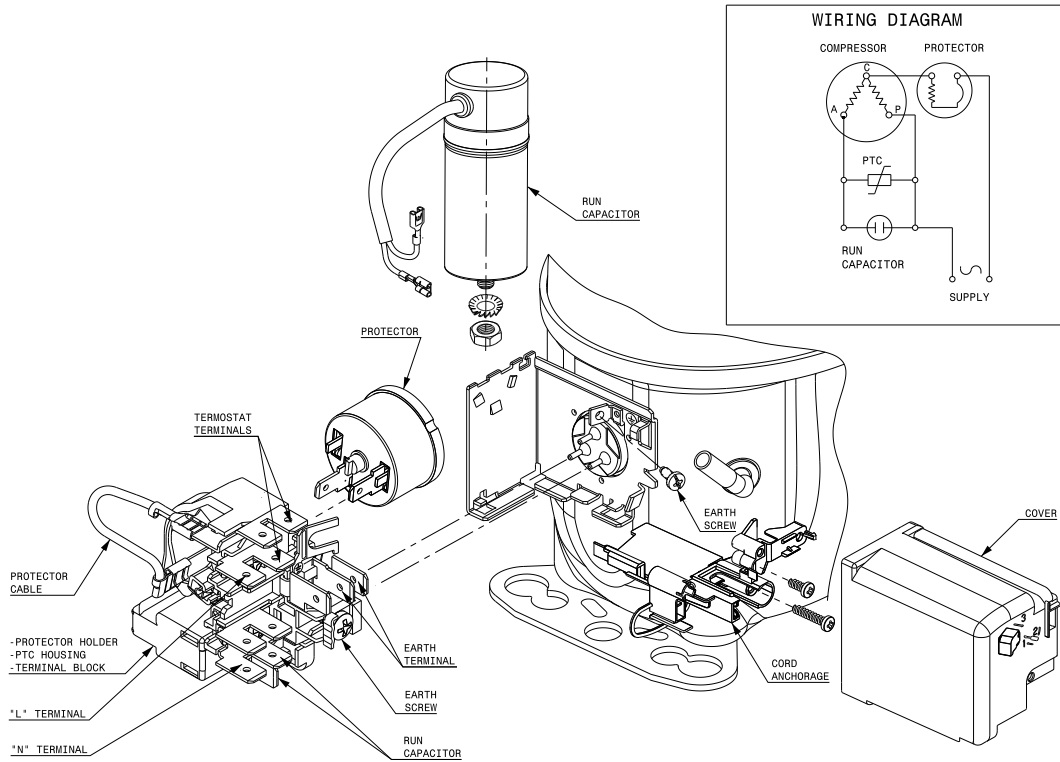
RSIR CONNECTION (PTC)



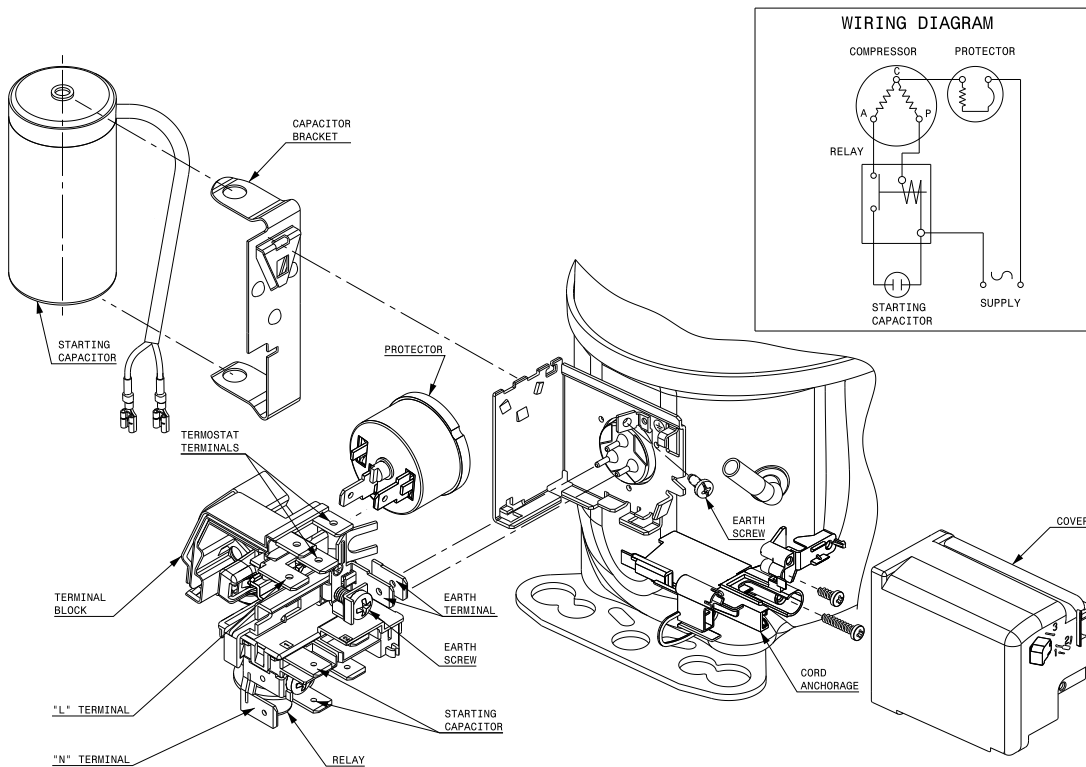
RSIR CONNECTION (RELAY)



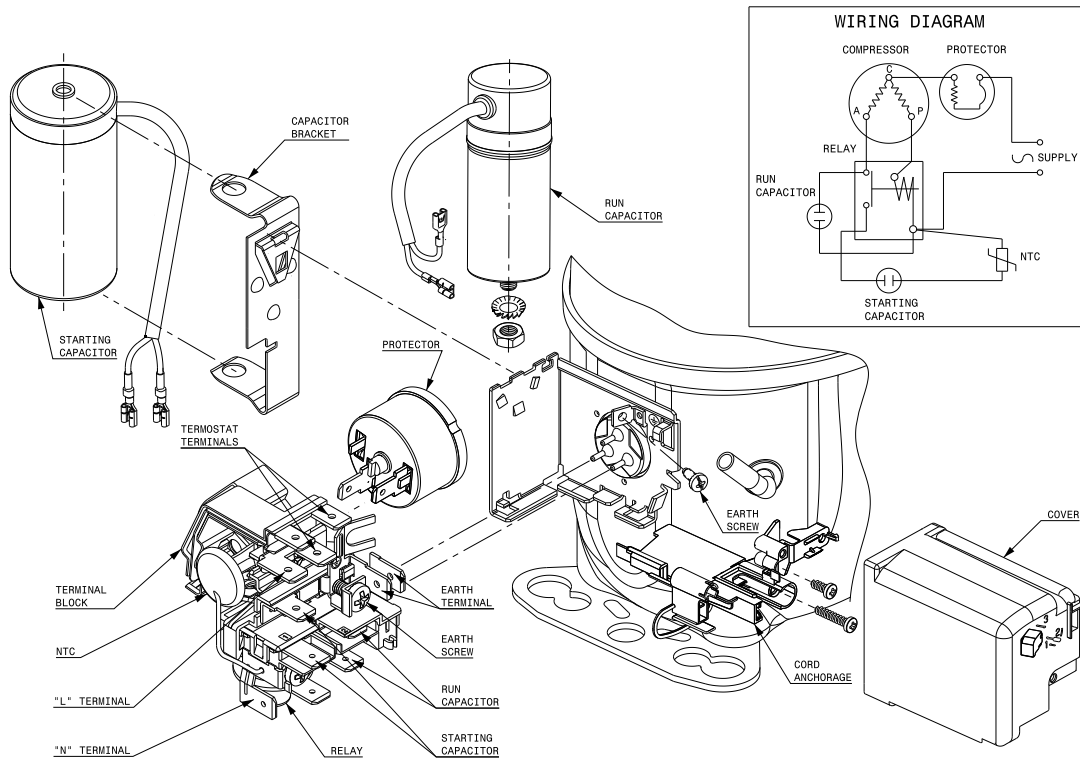
RSCR CONNECTION



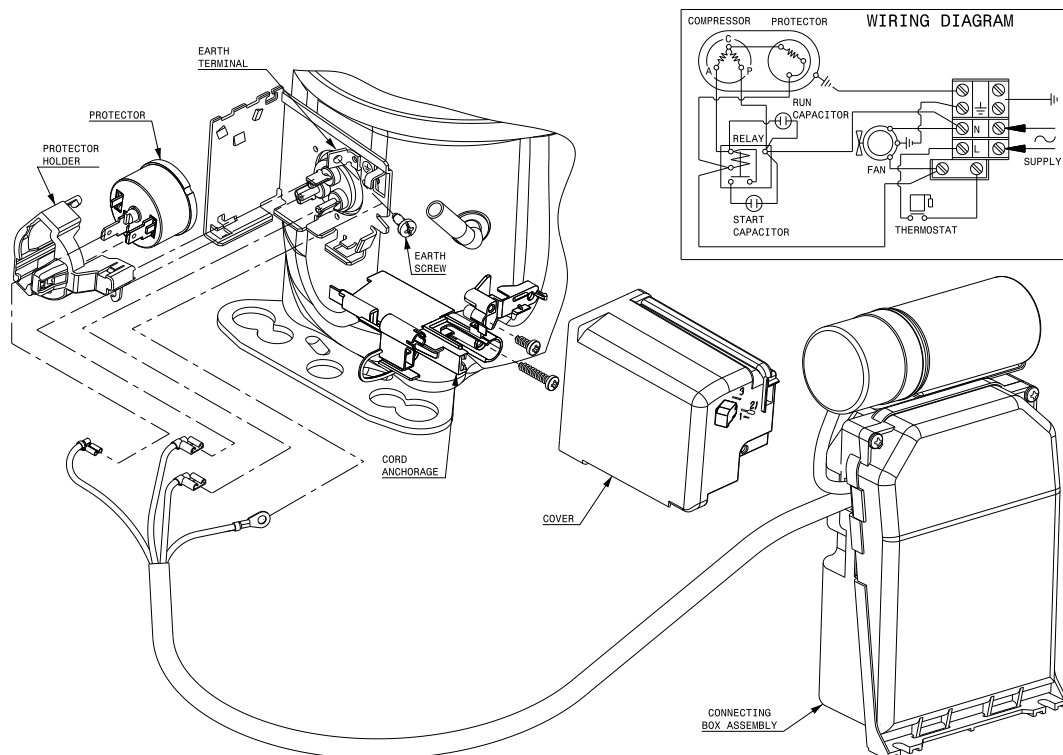
CSIR CONNECTION



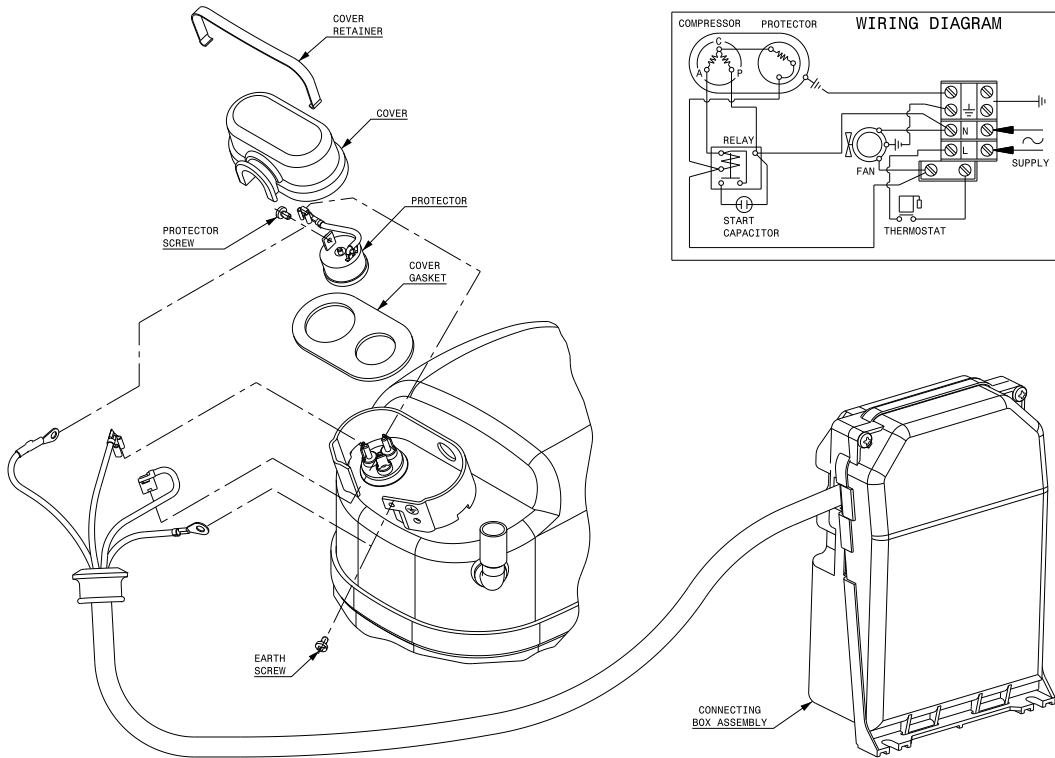
CSR CONNECTION (CURRENT RELAY + NTC)



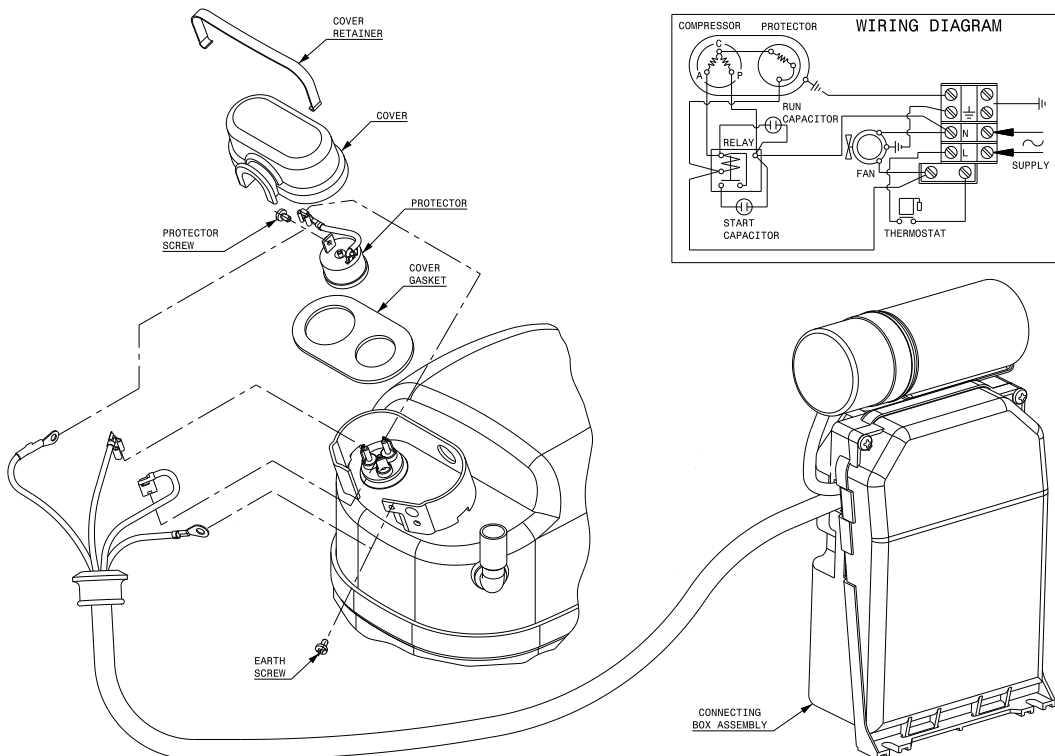
CSR CONNECTION (EXTERNAL CONNECTING BOX) (P, X ranges)



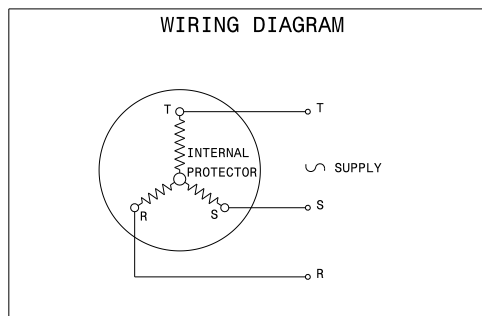
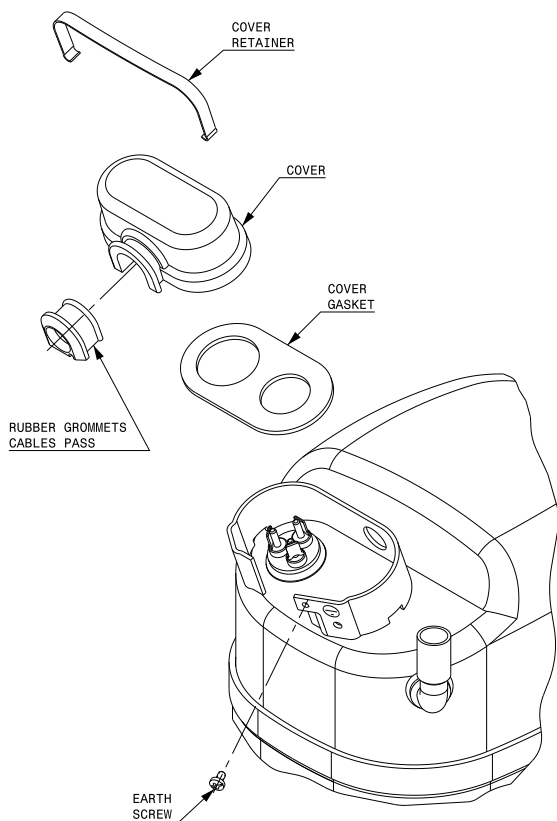
CSIR CONNECTION (EXTERNAL CONNECTING BOX) (S range)



CSR CONNECTION (EXTERNAL CONNECTING BOX) (S range)



3PH CONNECTION (S range)



Spare parts list

Model	Code	Motor	Voltage	Protector	Relay	Starting capacitor	Run capacitor
GD24AA	123B1101	RSIR PTC	220-240V 50Hz	123B9401	123B9101	-	-
GD24ADa	123B1150	RSIR PTC	115V 60Hz	123B9403	123B9102	-	-
GD24ADb	123B1151	CSIR Relay	115V 60Hz	123B9403	123B9103	123B9309	-
GD24MBc	123B1701	CSIR Relay	220-240V 50Hz	123B9404	123B9104	123B9311	-
GD24MEa	123B1555	RSIR PTC	115V 60Hz	123B9405	123B9102	-	-
GD24MEc	123B1717	CSIR Relay	115V 60Hz	123B9406	123B9105	123B9309	-
GD24NBa	123B1405	RSIR PTC	220-240V 50Hz	123B9407	123B9101	-	-
GD24NEa	123B1401	RSIR PTC	115V 60Hz	123B9408	123B9102	-	-
GD30AA	123B1102	RSIR PTC	220-240V 50Hz	123B9410	123B9101	-	-
GD30AG	123B1103	RSIR PTC	200-220V 50Hz & 220-230V 60Hz	123B9411	123B9101	-	-
GD30MBa	123B1501	RSIR PTC	220-240V 50Hz	123B9412	123B9101	-	-
GD30MBb	123B1502	RSIR PTC	220-240V 50Hz	123B9413	123B9101	-	-
GD30MBc	123B1503	CSIR Relay	220-240V 50Hz	123B9414	123B9106	123B9311	-
GD30MBd	123B1504	CSIR Relay	220-240V 50Hz	123B9415	123B9106	123B9311	-
GD30MEa	123B1556	RSIR PTC	115V 60Hz	123B9416	123B9102	-	-
GD30MEb	123B1557	RSIR PTC	115V 60Hz	123B9408	123B9102	-	-
GD30MEc	123B1558	CSIR Relay	115V 60Hz	123B9406	123B9107	123B9309	-
GD30MED	123B1559	CSIR Relay	115V 60Hz	123B9417	123B9107	123B9309	-
GD30NEa	123B1403	RSIR PTC	115V 60Hz	123B9408	123B9102	-	-
GD36AA	123B1104	RSIR PTC	220-240V 50Hz	123B9411	123B9101	-	-
GD36AD	123B1152	RSIR PTC	115V 60Hz	123B9416	123B9102	-	-
GD36AFa	123B1105	RSIR PTC	200-220V 50Hz & 230V 60Hz	123B9418	123B9101	-	-
GD36AFb	123B1106	CSIR Relay	200-220V 50Hz & 230V 60Hz	123B9407	123B9106	123B9311	-
GD36MBa	123B1505	RSIR PTC	220-240V 50Hz	123B9419	123B9101	-	-
GD36MBb	123B1506	RSIR PTC	220-240V 50Hz	123B9409	123B9101	-	-
GD36MBc	123B1507	CSIR Relay	220-240V 50Hz	123B9421	123B9106	123B9311	-
GD36MBd	123B1508	CSIR Relay	220-240V 50Hz	123B9422	123B9106	123B9311	-
GD36MEa	123B1560	RSIR PTC	115V 60Hz	123B9416	123B9102	-	-
GD36MEb	123B1561	RSIR PTC	115V 60Hz	123B9408	123B9102	-	-
GD36MEc	123B1562	CSIR Relay	115V 60Hz	123B9425	123B9108	123B9309	-
GD36MED	123B1563	CSIR Relay	115V 60Hz	123B9426	123B9108	123B9309	-
GD40AA	123B1107	RSIR PTC	220-240V 50Hz	123B9427	123B9101	-	-
GD40AF	123B1108	RSIR PTC	200-220V 50Hz & 220-230V 60Hz	123B9418	123B9101	-	-
GD40MBa	123B1509	RSIR PTC	220-240V 50Hz	123B9428	123B9101	-	-
GD40MBb	123B1510	RSIR PTC	220-240V 50Hz	123B9409	123B9101	-	-
GD40MBc	123B1511	CSIR Relay	220-240V 50Hz	123B9430	123B9106	123B9311	-
GD40MBd	123B1512	CSIR Relay	220-240V 50Hz	123B9431	123B9106	123B9311	-
GD40MEa	123B1564	RSIR PTC	115V 60Hz	123B9432	123B9102	-	-
GD40MEb	123B1565	RSIR PTC	115V 60Hz	123B9433	123B9102	-	-
GD40MEc	123B1566	CSIR Relay	115V 60Hz	123B9434	123B9109	123B9309	-
GD40MED	123B1567	CSIR Relay	115V 60Hz	123B9435	123B9109	123B9309	-
GD40MGd	123B1703	CSIR Relay	230V 50/60Hz	123B9431	123B9106	123B9311	-
GD40NEa	123B1404	RSIR PTC	115V 60Hz	123B9416	123B9102	-	-
GL11TB	123B1591	CSIR Relay	220-240V 50Hz	123B9436	123B9110	123B9312	-
GL45AAa	123B1111	RSIR PTC	220-240V 50Hz	123B9440	123B9113	-	-
GL45AAb	123B1112	CSIR Relay	220-240V 50Hz	123B9440	123B9106	123B9311	-
GL45ADa	123B1153	RSIR PTC	115V 60Hz	123B9441	123B9102	-	-
GL45ADb	123B1154	CSIR Relay	115V 60Hz	123B9405	123B9108	123B9309	-
GL45ANa	123B1113	RSIR PTC	200-240V 50Hz & 220-230V 60Hz	123B9418	123B9113	-	-
GL45MG	123B1704	CSIR Relay	230V 50/60Hz	123B9444	123B9112	123B9311	-
GL45PB	123B1515	RSIR Relay	220-240V 50Hz	123B9404	123B9114	-	-

Danfoss Light Commercial Refrigeration Compressors

Model	Code	Motor	Voltage	Protector	Relay	Starting capacitor	Run capacitor
GL45PE	123B1568	RSIR Relay	115V 60Hz	123B9445	123B9115	-	-
GL45TB	123B1516	CSIR Relay	220-240V 50Hz	123B9404	123B9111	123B9311	-
GL45TE	123B1569	CSIR Relay	115V 60Hz	123B9445	123B9116	123B9309	-
GL45TG	123B1517	CSIR Relay	200-240V 50Hz & 220-230V 60Hz	123B9439	123B9112	123B9311	-
GL60AAa	123B1116	RSIR PTC	220-240V 50Hz	123B9418	123B9113	-	-
GL60AAb	123B1117	CSIR Relay	220-240V 50Hz	123B9404	123B9111	123B9311	-
GL60ADa	123B1155	RSIR PTC	115V 60Hz	123B9433	123B9102	-	-
GL60ADb	123B1156	CSIR Relay	115V 60Hz	123B9425	123B9116	123B9309	-
GL60ANa	123B1118	RSIR PTC	200-240V 50Hz & 220-230V 60Hz	123B9450	123B9113	-	-
GL60ANb	123B1119	CSIR Relay	200-240V 50Hz & 220-230V 60Hz	123B9404	123B9112	123B9311	-
GL60ANc	123B1120	CSIR Relay	200-240V 50Hz & 220-230V 60Hz	123B9451	123B9112	123B9311	-
GL60MG	123B1705	CSIR Relay	230V 50/60Hz	123B9402	123B9107	123B9311	-
GL60PB	123B1520	RSIR Relay	220-240V 50Hz	123B9453	123B9117	-	-
GL60PE	123B1570	RSIR Relay	115V 60Hz	123B9456	123B9168	-	-
GL60TB	123B1521	CSIR Relay	220-240V 50Hz	123B9454	123B9112	123B9311	-
GL60TC	123B1523	CSIR Relay	100V 50/60Hz	123B9455	123B9118	123B9309	-
GL60TE	123B1571	CSIR Relay	115V 60Hz	123B9456	123B9118	123B9309	-
GL60TG	123B1522	CSIR Relay	200-240V 50Hz & 220-230V 60Hz	123B9457	123B9107	123B9311	-
GL80AAa	123B1123	RSIR PTC	220-240V 50Hz	123B9461	123B9101	-	-
GL80AAb	123B1124	CSIR Relay	220-240V 50Hz	123B9454	123B9112	123B9312	-
GL80ADa	123B1157	RSIR PTC	115V 60Hz	123B9432	123B9102	-	-
GL80ADb	123B1158	CSIR Relay	115V 60Hz	123B9462	123B9118	123B9318	-
GL80ANa	123B1125	RSIR PTC	200-220V 50Hz & 220-230V 60Hz	123B9459	123B9113	-	-
GL80ANb	123B1126	CSIR Relay	200-220V 50Hz & 220-230V 60Hz	123B9464	123B9108	123B9315	-
GL80ANc	123B1127	CSIR Relay	200-220V 50Hz & 220-230V 60Hz	123B9425	123B9108	123B9315	-
GL80MG	123B1706	CSIR Relay	200-220V 50Hz & 220-230V 60Hz	123B9425	123B9119	123B9312	-
GL80PB	123B1526	RSIR Relay	220-240V 50Hz	123B9466	123B9120	-	-
GL80PE	123B1574	RSIR Relay	115V 60Hz	123B9467	123B9121	-	-
GL80TB	123B1527	CSIR Relay	220-240V 50Hz	123B9468	123B9107	123B9312	-
GL80TC	123B1529	CSIR Relay	100V 50/60Hz	123B9469	123B9122	123B9318	-
GL80TE	123B1575	CSIR Relay	115V 60Hz	123B9467	123B9122	123B9318	-
GL80TG	123B1528	CSIR Relay	200-220V 50Hz & 220-230V 60Hz	123B9470	123B9119	123B9312	-
GL90AAa	123B1130	RSIR PTC	220-240V 50Hz	123B9402	123B9101	-	-
GL90AAb	123B1131	CSIR Relay	220-240V 50Hz	123B9444	123B9112	123B9312	-
GL90ADa	123B1159	RSIR PTC	115V 60Hz	123B9471	123B9102	-	-
GL90ADb	123B1160	CSIR Relay	115V 60Hz	123B9472	123B9122	123B9318	-
GL90ANa	123B1132	RSIR PTC	200-220V 50Hz & 220-230V 60Hz	123B9474	123B9113	-	-
GL90ANb	123B1133	CSIR Relay	200-220V 50Hz & 220-230V 60Hz	123B9425	123B9110	123B9315	-
GL90ANc	123B1134	CSIR Relay	200-220V 50Hz & 220-230V 60Hz	123B9475	123B9110	123B9315	-
GL90MG	123B1707	CSIR Relay	230V 50/60Hz	123B9477	123B9109	123B9312	-
GL90PB	123B1532	RSIR Relay	220-240V 50Hz	123B9417	123B9123	-	-
GL90PE	123B1578	RSIR Relay	115V 60Hz	123B9469	123B9121	-	-
GL90TB	123B1533	CSIR Relay	220-240V 50Hz	123B9457	123B9110	123B9312	-
GL90TC	123B1535	CSIR Relay	100V 50/60Hz	123B9478	123B9122	123B9318	-
GL90TE	123B1579	CSIR Relay	115V 60Hz	123B9469	123B9122	123B9318	-
GL90TG	123B1534	CSIR Relay	200-220V 50Hz & 220-230V 60Hz	123B9435	123B9109	123B9312	-
GL99AAa	123B1165	RSIR PTC	220-240V 50Hz	123B9480	123B9101	-	-
GL99AAb	123B1166	CSIR Relay	220-240V 50Hz	123B9444	123B9108	123B9315	-
GL99ADa	123B1161	RSIR PTC	115V 60Hz	123B9471	123B9102	-	-
GL99ADb	123B1162	CSIR Relay	115V 60Hz	123B9471	123B9122	123B9318	-
GLY12RAa	123B1708	CSIR Relay	220-240V 50Hz	123B9549	123B9110	123B9312	-
GLY12RAb	123B1709	CSR Relay + NTC	220-240V 50Hz	123B9549	123B9169	123B9312	123B9212
GLY12RGa	123B1710	CSIR Relay	200-220V 50Hz & 220-230V 60Hz	123B9502	123B9110	123B9312	-

Danfoss Light Commercial Refrigeration Compressors

Model	Code	Motor	Voltage	Protector	Relay	Starting capacitor	Run capacitor
GLY12RGb	123B1711	CSR Relay + NTC	200-220V 50Hz & 220-230V 60Hz	123B9502	123B9169	123B9312	123B9212
GLY45AAa	123B1109	RSIR PTC	220-240V 50Hz	123B9486	123B9101	-	-
GLY45AAb	123B1110	RSCR PTC	220-240V 50Hz	123B9486	123B9101	-	123B9213
GLY45RAa	123B1513	CSIR Relay	220-240V 50Hz	123B9404	123B9111	123B9311	-
GLY45RAb	123B1514	CSR Relay + NTC	220-240V 50Hz	123B9404	123B9125	123B9311	123B9210
GLY60AAa	123B1114	RSIR PTC	220-240V 50Hz	123B9487	123B9101	-	-
GLY60AAb	123B1115	RSCR PTC	220-240V 50Hz	123B9487	123B9101	-	123B9210
GLY60RAa	123B1518	CSIR Relay	220-240V 50Hz	123B9454	123B9112	123B9311	-
GLY60RAb	123B1519	CSR Relay + NTC	220-240V 50Hz	123B9454	123B9126	123B9311	123B9210
GLY80AAa	123B1121	RSIR PTC	220-240V 50Hz	123B9402	123B9101	-	-
GLY80AAb	123B1122	RSCR PTC	220-240V 50Hz	123B9402	123B9101	-	123B9211
GLY80RAa	123B1524	CSIR Relay	220-240V 50Hz	123B9488	123B9107	123B9312	-
GLY80RAb	123B1525	CSR Relay + NTC	220-240V 50Hz	123B9488	123B9127	123B9312	123B9211
GLY80RDa	123B1572	CSIR Relay	115V 60Hz	123B9472	123B9121	123B9312	-
GLY80RDb	123B1573	CSR Relay + NTC	115V 60Hz	123B9489	123B9124	123B9313	123B9216
GLY90AAa	123B1128	RSIR PTC	220-240V 50Hz	123B9408	123B9101	-	-
GLY90AAb	123B1129	RSCR PTC	220-240V 50Hz	123B9408	123B9101	-	123B9211
GLY90RAa	123B1530	CSIR Relay	220-240V 50Hz	123B9435	123B9119	123B9312	-
GLY90RAb	123B1531	CSR Relay + NTC	220-240V 50Hz	123B9466	123B9128	123B9312	123B9211
GLY90RDa	123B1576	CSIR Relay	115V 60Hz	123B9491	123B9129	123B9313	-
GLY90RDb	123B1577	CSR Relay + NTC	115V 60Hz	123B9472	123B9130	123B9313	123B9216
GP12CB	123B1139	RSIR Relay	220-240V 50Hz	123B9465	123B9123	-	-
GP12FB	123B1140	CSIR Relay	220-240V 50Hz	123B9465	123B9110	123B9312	-
GP12PB	123B1592	RSIR Relay	220-240V 50Hz	123B9436	123B9131	-	-
GP12PE	123B1582	RSIR Relay	115V 60Hz	123B9494	123B9132	-	-
GP12TB	123B1593	CSIR Relay	220-240V 50Hz	123B9436	123B9110	123B9312	-
GP12TE	123B1583	CSIR Relay	115V 60Hz	123B9494	123B9134	123B9318	-
GP12TG	123B1594	CSIR Relay	200-220V 50Hz & 220-230V 60Hz	123B9495	123B9116	123B9312	-
GP12YG	123B1802	CSIR Relay	230V 50/60Hz	123B9472	123B9136	123B9312	-
GP14CB	123B1141	RSIR Relay	220-240V 50Hz	123B9466	123B9131	-	-
GP14CG	123B1142	RSIR Relay	200-220V 50Hz & 230V 60Hz	123B9464	123B9115	-	-
GP14FB	123B1143	CSIR Relay	220-240V 50Hz	123B9466	123B9109	123B9316	-
GP14FC	123B1144	CSIR Relay	100V 50/60Hz	123B9494	123B9134	123B9314	-
GP14FE	123B1163	CSIR Relay	115V 60Hz	123B9494	123B9134	123B9314	-
GP14PB	123B1538	RSIR Relay	220-240V 50Hz	123B9455	123B9135	-	-
GP14PE	123B1586	RSIR Relay	115V 60Hz	123B9496	123B9134	-	-
GP14TB	123B1712	CSIR Relay	220-240V 50Hz	123B9455	123B9116	123B9312	-
GP14TE	123B1587	CSIR Relay	115V 60Hz	123B9496	123B9134	123B9318	-
GP14TG	123B1539	CSIR Relay	200-220V 50Hz & 220-230V 60Hz	123B9497	123B9136	123B9312	-
GP14YB	123B1803	RSCR PTC	220-240V 50Hz	123B9432	123B9113	-	123B9219
GP16CB	123B1147	RSIR Relay	220-240V 50Hz	123B9466	123B9115	-	-
GP16FB	123B1148	CSIR Relay	220-240V 50Hz	123B9466	123B9116	123B9316	-
GP16FC	123B1149	CSIR Relay	100V 50/60Hz	123B9494	123B9134	123B9314	-
GP16FE	123B1164	CSIR Relay	115V 60Hz	123B9494	123B9134	123B9314	-
GP16TB	123B1713	CSIR Relay	220-240V 50Hz	123B9498	123B9136	123B9316	-
GP16TE	123B1718	CSIR Relay	115V 60Hz	123B9496	123B9137	123B9318	-
GP16TG	123B1714	CSIR Relay	200-220V 50Hz & 230V 60Hz	123B9482	123B9118	123B9316	-
GPT16RG	123B1715	CSR Relay + NTC	200-220/220-230V 50/60Hz	123B9498	123B9139	123B9316	123B9225
GPT18RA	123B1716	CSR Relay + NTC	220-240V 50Hz	123B9499	123B9139	123B9312	123B9225
GPY12AAa	123B1135	RSIR PTC	220-240V 50Hz	123B9408	123B9101	-	-
GPY12AAb	123B1136	RSCR PTC	220-240V 50Hz	123B9408	123B9101	-	123B9212
GPY12LAb	123B1137	CSIR Relay	220-240V 50Hz	123B9421	123B9109	123B9315	-
GPY12LAb	123B1138	CSR Relay + NTC	220-240V 50Hz	123B9421	123B9140	123B9315	123B9222

Danfoss Light Commercial Refrigeration Compressors

Model	Code	Motor	Voltage	Protector	Relay	Starting capacitor	Run capacitor
GPY12RAa	123B1536	CSIR Relay	220-240V 50Hz	123B9502	123B9116	123B9312	-
GPY12RAb	123B1537	CSR Relay + NTC	220-240V 50Hz	123B9470	123B9133	123B9312	123B9212
GPY12RDa	123B1580	CSIR Relay	115V 60Hz	123B9494	123B9134	123B9314	-
GPY12RDb	123B1581	CSR Relay + NTC	115V 60Hz	123B9491	123B9141	123B9314	123B9216
GPY14RAa	123B1540	CSIR Relay	220-240V 50Hz	123B9499	123B9116	123B9315	-
GPY14RAb	123B1541	CSR Relay + NTC	220-240V 50Hz	123B9498	123B9133	123B9315	123B9222
GPY14RDa	123B1584	CSIR Relay	115-127V 60Hz	123B9496	123B9138	123B9314	-
GPY14RDb	123B1585	CSR Relay + NTC	115-127V 60Hz	123B9496	123B9143	123B9314	123B9217
GPY16LAa	123B1145	CSIR Relay	220-240V 50Hz	123B9466	123B9109	123B9312	-
GPY16LAb	123B1146	CSR Relay + NTC	220-240V 50Hz	123B9466	123B9140	123B9312	123B9222
GPY16RAa	123B1542	CSIR Relay	220-240V 50Hz	123B9499	123B9118	123B9315	-
GPY16RAb	123B1543	CSR Relay + NTC	220-240V 50Hz	123B9499	123B9139	123B9315	123B9222
GPY16RDa	123B1588	CSIR Relay	115-127V 60Hz	123B9496	123B9138	123B9314	-
GPY16RDb	123B1589	CSR Relay + NTC	115-127V 60Hz	123B9496	123B9143	123B9314	123B9217
GX18TB	123B1544	CSIR Relay	220-240V 50Hz	123B9482	123B9122	123B9315	-
GX18TG	123B1545	CSIR Relay	200-220V 50Hz & 220-230V 60Hz	123B9489	123B9129	123B9315	-
GX21TB	123B1546	CSIR Relay	220-240V 50Hz	123B9472	123B9129	123B9316	-
GX23TB	123B1547	CSIR Relay	220-240V 50Hz	123B9491	123B9129	123B9316	-
GX23TG	123B1548	CSIR Relay	200-220V 50Hz & 220-230V 60Hz	123B9494	123B9134	123B9316	-
GS26T3	123B1551	3ph Size S	400-440V 50/60Hz 3ph	123B9505	123B9144	-	-
GS26TB	123B1549	CSIR Box Size S	220-240V 50Hz	123B9506	123B9145	123B9301	-
GS26TG	123B1550	CSIR Box Size S	200-220V 50Hz & 220-230V 60Hz	123B9507	123B9145	123B9301	-
GS30TB	123B1552	CSR Box Size S	220-240V 50Hz	123B9506	123B9146	123B9302	123B9201
GS30TG	123B1553	CSR Box Size S	200-220V 50Hz & 220-230V 60Hz	123B9507	123B9147	123B9304	123B9205
GS34TB	123B1554	CSR Box Size S	220-240V 50Hz	123B9508	123B9146	123B9304	123B9201
GS34TF	123B1590	CSR Box Size S	220-230V 60Hz	123B9509	123B9147	123B9304	123B9205
HD40AA	123B4101	RSIR PTC	220-240V 50Hz	123B9401	123B9101	-	-
HD40MBa	123B4501	RSIR PTC	220-240V 50Hz	123B9511	123B9101	-	-
HLY45AAa	123B4102	RSIR PTC	220-240V 50Hz	123B9512	123B9101	-	-
HLY45AAb	123B4103	RSCR PTC	220-240V 50Hz	123B9512	123B9101	-	123B9209
HLY55AAa	123B4104	RSIR PTC	220-240V 50Hz	123B9513	123B9101	-	-
HLY55AAb	123B4105	RSCR PTC	220-240V 50Hz	123B9513	123B9101	-	123B9209
HLY55MAa	123B4502	RSIR PTC	220-240V 50Hz	123B9407	123B9101	-	-
HLY55MAb	123B4503	RSCR PTC	220-240V 50Hz	123B9407	123B9101	-	123B9209
HLY70AAa	123B4106	RSIR PTC	220-240V 50Hz	123B9515	123B9101	-	-
HLY70AAb	123B4107	RSCR PTC	220-240V 50Hz	123B9515	123B9101	-	123B9209
HLY70MAa	123B4507	RSIR PTC	220-240V 50Hz	123B9458	123B9101	-	-
HLY70MAb	123B4508	RSCR PTC	220-240V 50Hz	123B9458	123B9101	-	123B9209
HLY80AAa	123B4108	RSIR PTC	220-240V 50Hz	123B9486	123B9101	-	-
HLY80AAb	123B4109	RSCR PTC	220-240V 50Hz	123B9486	123B9101	-	123B9209
HLY90AAa	123B4110	RSIR PTC	220-240V 50Hz	123B9407	123B9101	-	-
HLY90AAb	123B4111	RSCR PTC	220-240V 50Hz	123B9407	123B9101	-	123B9210
HLY99AAa	123B4112	RSIR PTC	220-240V 50Hz	123B9407	123B9101	-	-
HLY99AAb	123B4113	RSCR PTC	220-240V 50Hz	123B9407	123B9101	-	123B9210
HLY99RAa	123B4513	CSIR Relay	220-240V 50Hz	123B9439	123B9111	123B9312	-
HLY99RAb	123B4514	CSR Relay + NTC	220-240V 50Hz	123B9439	123B9125	123B9312	123B9211
HPY12AAa	123B4114	RSIR PTC	220-240V 50Hz	123B9458	123B9101	-	-
HPY12AAb	123B4115	RSCR PTC	220-240V 50Hz	123B9458	123B9101	-	123B9210
HPY12AGa	123B4116	RSIR PTC	200-220V 50Hz & 220-230V 60Hz	123B9461	123B9101	-	-
HPY12AGb	123B4117	RSCR PTC	200-220V 50Hz & 220-230V 60Hz	123B9461	123B9101	-	123B9210
HPY12RAa	123B4515	CSIR Relay	220-240V 50Hz	123B9454	123B9107	123B9312	-
HPY12RAb	123B4516	CSR Relay + NTC	220-240V 50Hz	123B9454	123B9127	123B9312	123B9212
HPY14AAa	123B4118	RSIR PTC	220-240V 50Hz	123B9461	123B9101	-	-

Danfoss Light Commercial Refrigeration Compressors

Model	Code	Motor	Voltage	Protector	Relay	Starting capacitor	Run capacitor
HPY14AAAb	123B4119	RSCR PTC	220-240V 50Hz	123B9487	123B9101	-	123B9211
HPY14AJa	123B4120	RSIR PTC	100V 50/60Hz	123B9517	123B9102	-	-
HPY14AJb	123B4121	RSCR PTC	100V 50/60Hz	123B9517	123B9102	-	123B9217
HPY14RAa	123B4517	CSIR Relay	220-240V 50Hz	123B9465	123B9107	123B9312	-
HPY14RAb	123B4518	CSR Relay + NTC	220-240V 50Hz	123B9465	123B9127	123B9312	123B9212
HPY16AAa	123B4122	RSIR PTC	220-240V 50Hz	123B9480	123B9101	-	-
HPY16AAb	123B4123	RSCR PTC	220-240V 50Hz	123B9480	123B9101	-	123B9211
HPY16RAa	123B4519	CSIR Relay	220-240V 50Hz	123B9457	123B9107	123B9312	-
HPY16RAb	123B4520	CSR Relay + NTC	220-240V 50Hz	123B9457	123B9127	123B9312	123B9212
ML40TB	123B2501	CSIR Relay	220-240V 50Hz	123B9417	123B9107	123B9311	-
ML40TG	123B2502	CSIR Relay	200-240V 50Hz & 220-230V 60Hz	123B9464	123B9108	123B9311	-
ML45FB	123B2103	CSIR Relay	220-240V 50Hz	123B9439	123B9112	123B9311	-
ML45FG	123B2104	CSIR Relay	200-240V 50Hz & 220-230V 60Hz	123B9439	123B9107	123B9311	-
ML45FR	123B2160	CSIR Relay	115-127V 60Hz	123B9499	123B9136	123B9309	-
ML45TB	123B2503	CSIR Relay	220-240V 50Hz	123B9417	123B9107	123B9311	-
ML45TG	123B2504	CSIR Relay	200-240V 50Hz & 220-230V 60Hz	123B9464	123B9108	123B9311	-
ML60FB	123B2107	CSIR Relay	220-240V 50Hz	123B9454	123B9107	123B9311	-
ML60FG	123B2108	CSIR Relay	200-240V 50Hz & 220-230V 60Hz	123B9466	123B9119	123B9311	-
ML60FR	123B2143	CSIR Relay	115-127V 60Hz	123B9482	123B9118	123B9309	-
ML60TB	123B2507	CSIR Relay	220-240V 50Hz	123B9464	123B9108	123B9311	-
ML60TG	123B2508	CSIR Relay	200-220V 50Hz & 230V 60Hz	123B9436	123B9110	123B9311	-
ML60TR	123B2529	CSIR Relay	115-127V 60Hz	123B9472	123B9122	123B9318	-
ML80FB	123B2111	CSIR Relay	220-240V 50Hz	123B9466	123B9109	123B9312	-
ML80FG	123B2112	CSIR Relay	200-220V 50Hz & 220-230V 60Hz	123B9502	123B9136	123B9312	-
ML80FR	123B2146	CSIR Relay	115-127V 60Hz	123B9494	123B9129	123B9318	-
ML80TB	123B2511	CSIR Relay	220-240V 50Hz	123B9436	123B9110	123B9312	-
ML80TG	123B2512	CSIR Relay	200-240V 50Hz & 220-230V 60Hz	123B9455	123B9116	123B9312	-
ML90FB	123B2115	CSIR Relay	220-240V 50Hz	123B9523	123B9109	123B9312	-
ML90FG	123B2116	CSIR Relay	200-220V 50Hz & 230V 60Hz	123B9502	123B9136	123B9312	-
ML90FR	123B2147	CSIR Relay	115-127V 60Hz	123B9494	123B9134	123B9318	-
ML90TB	123B2515	CSIR Relay	220-240V 50Hz	123B9455	123B9116	123B9312	-
ML90TG	123B2516	CSIR Relay	200-220V 50Hz & 230V 60Hz	123B9482	123B9136	123B9312	-
MLT90CD	123B2149	RSCR PTC	115V 60Hz	123B9432	123B9102	-	123B9216
MLT90CDc	123B2150	CSR Relay + NTC	115V 60Hz	123B9472	123B9130	123B9313	123B9216
MLT90LD	123B2148	CSR Relay + NTC	115V 60Hz	123B9472	123B9130	123B9313	123B9216
MLY12LAa	123B2119	CSIR Relay	220-240V 50Hz	123B9502	123B9116	123B9312	-
MLY12LAb	123B2120	CSR Relay + NTC	220-240V 50Hz	123B9502	123B9133	123B9312	123B9222
MLY40AAa	123B2101	RSIR PTC	220-240V 50Hz	123B9461	123B9101	-	-
MLY40AAb	123B2102	RSCR PTC	220-240V 50Hz	123B9461	123B9101	-	123B9211
MLY45LAa	123B2105	CSIR Relay	220-240V 50Hz	123B9431	123B9112	123B9311	-
MLY45LAb	123B2106	CSR Relay + NTC	220-240V 50Hz	123B9431	123B9126	123B9311	123B9211
MLY60LAa	123B2109	CSIR Relay	220-240V 50Hz	123B9454	123B9107	123B9311	-
MLY60LAb	123B2110	CSR Relay + NTC	220-240V 50Hz	123B9454	123B9127	123B9311	123B9211
MLY60LDa	123B2144	CSIR Relay	115V 60Hz	123B9482	123B9118	123B9313	-
MLY60LDb	123B2145	CSR Relay + NTC	115V 60Hz	123B9499	123B9150	123B9313	123B9216
MLY60RAa	123B2505	CSIR Relay	220-240V 50Hz	123B9502	123B9119	123B9311	-
MLY60RAb	123B2506	CSR Relay + NTC	220-240V 50Hz	123B9470	123B9128	123B9311	123B9212
MLY60RDa	123B2527	CSIR Relay	115V 60Hz	123B9491	123B9122	123B9313	-
MLY60RDb	123B2528	CSR Relay + NTC	115V 60Hz	123B9472	123B9124	123B9313	123B9216
MLY80LAa	123B2113	CSIR Relay	220-240V 50Hz	123B9470	123B9119	123B9312	-
MLY80LAb	123B2114	CSR Relay + NTC	220-240V 50Hz	123B9525	123B9128	123B9312	123B9222
MLY80RAa	123B2509	CSIR Relay	220-240V 50Hz	123B9498	123B9116	123B9315	-
MLY80RAb	123B2510	CSR Relay + NTC	220-240V 50Hz	123B9502	123B9133	123B9315	123B9222

Danfoss Light Commercial Refrigeration Compressors

Model	Code	Motor	Voltage	Protector	Relay	Starting capacitor	Run capacitor
MLY80RDa	123B2530	CSIR Relay	115V 60Hz	123B9494	123B9134	123B9314	-
MLY80RDb	123B2531	CSR Relay + NTC	115V 60Hz	123B9491	123B9141	123B9314	123B9216
MLY90LAa	123B2117	CSIR Relay	220-240V 50Hz	123B9526	123B9109	123B9315	-
MLY90LAb	123B2118	CSR Relay + NTC	220-240V 50Hz	123B9526	123B9140	123B9315	123B9222
MLY90RAa	123B2513	CSIR Relay	220-240V 50Hz	123B9499	123B9116	123B9315	-
MLY90RAb	123B2514	CSR Relay + NTC	220-240V 50Hz	123B9498	123B9133	123B9315	123B9222
MP12FB	123B2165	CSIR Relay	220-240V 50Hz	123B9435	123B9116	123B9312	-
MP12FG	123B2166	CSIR Relay	200-220V 50Hz & 220-230V 60Hz	123B9499	123B9136	123B9315	-
MP12FR	123B2151	CSIR Relay	115-127V 60Hz	123B9496	123B9134	123B9318	-
MP12TG	123B2517	CSR Box	200-220V 50Hz & 220-230V 60Hz	123B9482	123B9153	123B9307	123B9218
MP14FB	123B2124	CSIR Relay	220-240V 50Hz	123B9455	123B9136	123B9316	-
MP14FE	123B2154	CSIR Relay	115V 60Hz	123B9496	123B9138	123B9318	-
MP14FG	123B2125	CSIR Relay	200-220V 50Hz & 230V 60Hz	123B9482	123B9118	123B9316	-
MPT12CD	123B2153	RSCR PTC	115V 60Hz	123B9471	123B9102	-	123B9216
MPT12LA	123B2123	CSR Relay + NTC	220-240V 50Hz	123B9470	123B9133	123B9312	123B9222
MPT12LD	123B2152	CSR Relay + NTC	115V 60Hz	123B9527	123B9141	123B9314	123B9216
MPT12RA	123B2518	CSR Relay + NTC	220-240V 50Hz	123B9499	123B9151	123B9315	123B9215
MPT14LA	123B2126	CSR Relay + NTC	220-240V 50Hz	123B9498	123B9151	123B9312	123B9222
MPT14LD	123B2155	CSR Relay + NTC	115V 60Hz	123B9496	123B9143	123B9314	123B9227
MPT14LF	123B2156	CSR Relay + NTC	208-230V 60Hz	123B9498	123B9139	123B9315	123B9219
MPT14RA	123B2704	CSR Relay + NTC	220-240V 50Hz	123B9482	123B9139	123B9315	123B9226
MPT16LA	123B2127	CSR Relay + NTC	220-240V 50Hz	123B9502	123B9151	123B9316	123B9219
MX16TBa	123B2706	CSR Relay + NTC	220-240V 50Hz	123B9491	123B9159	123B9321	123B9219
MX18FBa	123B2129	CSR Relay + NTC	220-240V 50Hz	123B9497	123B9139	123B9312	123B9219
MX18TBa	123B2707	CSR Relay + NTC	220-240V 50Hz	123B9491	123B9159	123B9321	123B9219
MX18TG	123B2519	CSR Box	200-220V 50Hz & 220-230V 60Hz	123B9494	123B9156	123B9302	123B9207
MX21FBa	123B2130	CSR Relay + NTC	220-240V 50Hz	123B9482	123B9160	123B9316	123B9219
MX21FG	123B2131	CSR Box	200-220V 50Hz & 220-230V 60Hz	123B9472	123B9156	123B9302	123B9207
MX21TBa	123B2708	CSR Relay + NTC	220-240V 50Hz	123B9494	123B9161	123B9316	123B9215
MX21TG	123B2709	CSR Box	200-220V 50Hz & 230V 60Hz	123B9496	123B9156	123B9302	123B9207
MX23FBa	123B2132	CSR Relay + NTC	220-240V 50Hz	123B9472	123B9159	123B9316	123B9219
MX23FG	123B2133	CSR Box	200-220V 50Hz & 220-230V 60Hz	123B9491	123B9153	123B9304	123B9203
MS18T3	123B2520	3ph Size S	400-440V 50/60Hz 3ph	123B9505	123B9144	-	-
MS22T3	123B2522	3ph Size S	400-440V 50/60Hz 3ph	123B9505	123B9144	-	-
MS22TB	123B2521	CSR Box Size S	220-240V 50Hz	123B9507	123B9154	123B9302	123B9203
MS26F3	123B2136	3ph Size S	400-440V 50/60Hz 3ph	123B9505	123B9144	-	-
MS26FB	123B2134	CSR Box Size S	220-240V 50Hz	123B9528	123B9155	123B9304	123B9201
MS26FF	123B2157	CSR Box Size S	208-230V 60Hz	123B9529	123B9153	123B9304	123B9207
MS26FG	123B2135	CSR Box Size S	200-220V 50Hz & 230V 60Hz	123B9530	123B9153	123B9304	123B9207
MS26T3	123B2525	3ph Size S	400-440V 50/60Hz 3ph	123B9531	123B9144	-	-
MS26TB	123B2523	CSR Box Size S	220-240V 50Hz	123B9507	123B9154	123B9304	123B9203
MS26TG	123B2524	CSR Box Size S	200-220V 50Hz & 230V 60Hz	123B9509	123B9156	123B9304	123B9204
MS30F3	123B2138	3ph Size S	400-440V 50/60Hz 3ph	123B9532	123B9144	-	-
MS30FB	123B2137	CSR Box Size S	220-240V 50Hz	123B9533	123B9152	123B9304	123B9203
MS30FF	123B2158	CSR Box Size S	208-230V 60Hz	123B9509	123B9153	123B9304	123B9207
MS30FG	123B2159	CSR Box Size S	230V 60Hz	123B9533	123B9156	123B9304	123B9204
MS34F3	123B2140	3ph Size S	400-440V 50/60Hz 3ph	123B9534	123B9144	-	-
MS34FB	123B2139	CSR Box Size S	220V 50Hz	123B9507	123B9157	123B9304	123B9203
MS34T3	123B2526	3ph Size S	400-440V 50/60Hz 3ph	123B9537	123B9144	-	-
MS34TB	123B2710	CSR Box Size S	220-240V 50Hz	123B9538	123B9154	123B9304	123B9204
MS34TG	123B2711	CSR Box Size S	200-220V 50Hz & 230V 60Hz	123B9548	123B9156	123B9304	123B9228
NL40TBb	123B3526	CSIR Relay	220-240V 50Hz	123B9454	123B9105	123B9311	-
NLY12LAa	123B3118	CSIR Relay	220-240V 50Hz	123B9470	123B9116	123B9312	-

Danfoss Light Commercial Refrigeration Compressors

Model	Code	Motor	Voltage	Protector	Relay	Starting capacitor	Run capacitor
NLY12LAb	123B3119	CSR Relay + NTC	220-240V 50Hz	123B9470	123B9133	123B9312	123B9222
NLY45LAa	123B3102	CSIR Relay	220-240V 50Hz	123B9431	123B9112	123B9311	-
NLY45LAb	123B3103	CSR Relay + NTC	220-240V 50Hz	123B9431	123B9126	123B9311	123B9211
NLY45LRa	123B3129	CSIR Relay	115-127V 60Hz	123B9470	123B9118	123B9313	-
NLY45LRb	123B3130	CSR Relay + NTC	115-127V 60Hz	123B9470	123B9150	123B9313	123B9216
NLY45RAa	123B3504	CSIR Relay	220-240V 50Hz	123B9454	123B9105	123B9311	-
NLY45RAb	123B3505	CSR Relay + NTC	220-240V 50Hz	123B9431	123B9163	123B9311	123B9210
NLY45RRa	123B3516	CSIR Relay	115-127V 60Hz	123B9489	123B9118	123B9320	-
NLY45RRb	123B3517	CSR Relay + NTC	115-127V 60Hz	123B9489	123B9150	123B9320	123B9216
NLY60CAa	123B3108	RSIR PTC	220-240V 50Hz	123B9458	123B9101	-	-
NLY60CAb	123B3109	RSCR PTC	220-240V 50Hz	123B9541	123B9101	-	123B9211
NLY60LAa	123B3106	CSIR Relay	220-240V 50Hz	123B9454	123B9107	123B9311	-
NLY60LAb	123B3107	CSR Relay + NTC	220-240V 50Hz	123B9454	123B9127	123B9311	123B9211
NLY60LRa	123B3131	CSIR Relay	115-127V 60Hz	123B9482	123B9122	123B9313	-
NLY60LRb	123B3132	CSR Relay + NTC	115-127V 60Hz	123B9482	123B9124	123B9313	123B9216
NLY60RAa	123B3506	CSIR Relay	220-240V 50Hz	123B9454	123B9112	123B9311	-
NLY60RAb	123B3507	CSR Relay + NTC	220-240V 50Hz	123B9454	123B9126	123B9311	123B9211
NLY60RRa	123B3518	CSIR Relay	115-127V 60Hz	123B9489	123B9118	123B9309	-
NLY60RRb	123B3519	CSR Relay + NTC	115-127V 60Hz	123B9489	123B9150	123B9309	123B9216
NLY75RAa	123B3508	CSIR Relay	220-240V 50Hz	123B9502	123B9116	123B9315	-
NLY75RAb	123B3509	CSR Relay + NTC	220-240V 50Hz	123B9470	123B9133	123B9315	123B9222
NLY75RRa	123B3520	CSIR Relay	115-127V 60Hz	123B9494	123B9129	123B9309	-
NLY75RRb	123B3521	CSR Relay + NTC	115-127V 60Hz	123B9494	123B9130	123B9309	123B9216
NLY80LAa	123B3114	CSIR Relay	220-240V 50Hz	123B9470	123B9119	123B9312	-
NLY80LAb	123B3115	CSR Relay + NTC	220-240V 50Hz	123B9454	123B9128	123B9312	123B9222
NLY80LRa	123B3133	CSIR Relay	115-127V 60Hz	123B9482	123B9129	123B9318	-
NLY80LRb	123B3134	CSR Relay + NTC	115-127V 60Hz	123B9482	123B9130	123B9318	123B9216
NLY80RAa	123B3510	CSIR Relay	220-240V 50Hz	123B9542	123B9116	123B9315	-
NLY80RAb	123B3511	CSR Relay + NTC	220-240V 50Hz	123B9470	123B9133	123B9315	123B9222
NLY80RRa	123B3522	CSIR Relay	115-127V 60Hz	123B9494	123B9129	123B9309	-
NLY80RRb	123B3523	CSR Relay + NTC	115-127V 60Hz	123B9494	123B9130	123B9309	123B9216
NLY90LAa	123B3116	CSIR Relay	220-240V 50Hz	123B9498	123B9109	123B9312	-
NLY90LAb	123B3117	CSR Relay + NTC	220-240V 50Hz	123B9470	123B9140	123B9312	123B9222
NLY90RAa	123B3512	CSIR Relay	220-240V 50Hz	123B9498	123B9116	123B9315	-
NLY90RAb	123B3513	CSR Relay + NTC	220-240V 50Hz	123B9542	123B9133	123B9315	123B9222
NLY90RRa	123B3524	CSIR Relay	115-127V 60Hz	123B9496	123B9129	123B9309	-
NLY90RRb	123B3525	CSR Relay + NTC	115-127V 60Hz	123B9496	123B9130	123B9309	123B9216
NPT14RA	123B3703	CSR Relay + NTC	220-240V 50Hz	123B9482	123B9139	123B9315	123B9219
NPT16LA	123B3124	CSR Relay + NTC	220-240V 50Hz	123B9470	123B9151	123B9316	123B9225
NPY12LAa	123B3120	CSIR Relay	220-240V 50Hz	123B9502	123B9116	123B9312	-
NPY12LAb	123B3121	CSR Relay + NTC	220-240V 50Hz	123B9470	123B9133	123B9312	123B9222
NPY12LRa	123B3137	CSIR Relay	115-127V 60Hz	123B9494	123B9129	123B9309	-
NPY12LRb	123B3138	CSR Relay + NTC	115-127V 60Hz	123B9494	123B9130	123B9309	123B9216
NPY12RAa	123B3701	CSIR Relay	220-240V 50Hz	123B9499	123B9136	123B9315	-
NPY12RAb	123B3702	CSR Relay + NTC	220-240V 50Hz	123B9499	123B9151	123B9315	123B9222
NPY14LAa	123B3122	CSIR Relay	220-240V 50Hz	123B9498	123B9136	123B9315	-
NPY14LAb	123B3123	CSR Relay + NTC	220-240V 50Hz	123B9498	123B9151	123B9315	123B9222
NUT55CAa	123B3104	RSIR PTC	220-240V 50Hz	123B9458	123B9101	-	-
NUT55CAb	123B3105	RSCR PTC	220-240V 50Hz	123B9458	123B9101	-	123B9211
NUT60CAa	123B3110	RSIR PTC	220-240V 50Hz	123B9458	123B9101	-	-
NUT60CAb	123B3111	RSCR PTC	220-240V 50Hz	123B9458	123B9101	-	123B9211
NUT70CAa	123B3112	RSIR PTC	220-240V 50Hz	123B9458	123B9101	-	-
NUT70CAb	123B3113	RSCR PTC	220-240V 50Hz	123B9458	123B9101	-	123B9212

Danfoss Light Commercial Refrigeration Compressors

Model	Code	Motor	Voltage	Protector	Relay	Starting capacitor	Run capacitor
NX18FBa	123B3126	CSR Relay + NTC	220-240V 50Hz	123B9497	123B9139	123B9312	123B9219
NX21FBa	123B3127	CSR Relay + NTC	220-240V 50Hz	123B9482	123B9160	123B9316	123B9219
NX21TBa	123B3515	CSR Relay + NTC	220-240V 50Hz	123B9491	123B9164	123B9321	123B9219
NX23FBa	123B3128	CSR Relay + NTC	220-240V 50Hz	123B9472	123B9159	123B9316	123B9219

Danfoss Commercial Compressors

is a worldwide manufacturer of compressors and condensing units for refrigeration and HVAC applications. With a wide range of high quality and innovative products we help your company to find the best possible energy efficient solution that respects the environment and reduces total life cycle costs.

We have 40 years of experience within the development of hermetic compressors which has brought us amongst the global leaders in our business, and positioned us as distinct variable speed technology specialists. Today we operate from engineering and manufacturing facilities spanning across three continents.



Danfoss Scrolls



Danfoss Inverter Scrolls



Danfoss Turbocor Compressors



Danfoss Light Commercial Refrigeration Compressors



Danfoss Maneurop Reciprocating Compressors



Danfoss Optyma Condensing Units

Our products can be found in a variety of applications such as rooftops, chillers, residential air conditioners, heatpumps, coldrooms, supermarkets, milk tank cooling and industrial cooling processes.

<http://cc.danfoss.com>

Danfoss Commercial Compressors, BP 331, 01603 Trévoux Cedex, France | +334 74 00 28 29



Danfoss can accept no responsibility for possible errors in catalogues, brochures and other printed material. Danfoss reserves the right to alter its products without notice. This also applies to products already on order provided that such alterations can be made without subsequential changes being necessary in specifications already agreed. All trademarks in this material are property of the respective companies. Danfoss and the Danfoss logotype are trademarks of Danfoss A/S. All rights reserved.