

## Data sheets

Semi-hermetic compressors for remote oil separator > RTS and NR series for external oil separator / for HFC - HCFC - HFO

| Technical data:   |                          |                           |
|---|--------------------------|---------------------------|
| Rotors  | #                        | 2                         |
| Displacement @ 50 Hz  | m <sup>3</sup> /h [50Hz] | 186                       |
| Displacement @ 60 Hz  | m <sup>3</sup> /h [60Hz] | 223.2                     |
| Compressor version[1]   |                          | 1                         |
| Motor power (HP)  |                          | 60                        |
| Motor power (kW)  |                          | 45                        |
| Motor voltage at 50 Hz[2]   | V/ph/Hz                  | 400 (+/-10%) V/3/50Hz PWS |
| Motor voltage at 60 Hz[2]   | V/ph/Hz                  | 460 (+/-10%) V/3/60Hz PWS |
| PWS partition   |                          | 50-50                     |
| Capacity control (CC) step  | %                        | 100-75-50                 |
| MRA, maximum operating current at 400V/50Hz and 460V/60Hz                               | A                        | 122                       |
| LRA, maximum starting current at 400V/50Hz and 460V/60Hz, PWS motor                     | A                        | 298                       |
| LRA, maximum starting current at 400V/50Hz and 460V/60Hz, PWS motor with DOL connection | A                        | 518                       |
| Max power consumption   | kW [@ 50Hz]              | 82.1                      |
| Frequency min   | Hz                       | 30                        |
| Frequency max[3]  | Hz                       | 70                        |
| Protection device   |                          | INT69 FRYL Diagnose       |
| Enclosure class   |                          | IP65                      |
| Maximum pressure HP   | bar                      | 30                        |
| Maximum pressure LP   | bar                      | 20.5                      |
| Oil type[4]   |                          | POE 170 cSt               |
| Sight glass for oil circuit   |                          | Standard                  |
| Solenoid valve for oil circuit  |                          | Standard                  |
| Oil water cooling   |                          | Standard                  |
| Integrated check valve  |                          | Standard                  |
| Maximum discharge temperature sensor  |                          | Standard                  |
| Suction valve (SV) mm   | mm                       | 79.4                      |
| Suction valve SV inch   | inch                     | 3" 1/8                    |
| Discharge valve (DV) mm   | mm                       | 54                        |
| Discharge valve DV inch   | inch                     | 2" 1/8                    |
| Net weight  | kg                       | 250                       |
| Length  | mm                       | 996                       |
| Max Width   | mm                       | 484                       |
| Maximum height  | mm                       | 551                       |
| Compressor body material  |                          | Cast Iron                 |

- [1] Motor version: 1, high and middle temperature, all refrigerants; 2, low and middle temperature, all refrigerants; 3 ECOinside, low temperature, only R134a and R1234ze  
 [2] Other available on request  
 [3] Maximum frequency depends from the working condition: see FSS3 (Frascold selection software)  
 [4] Different kind of oil available on request

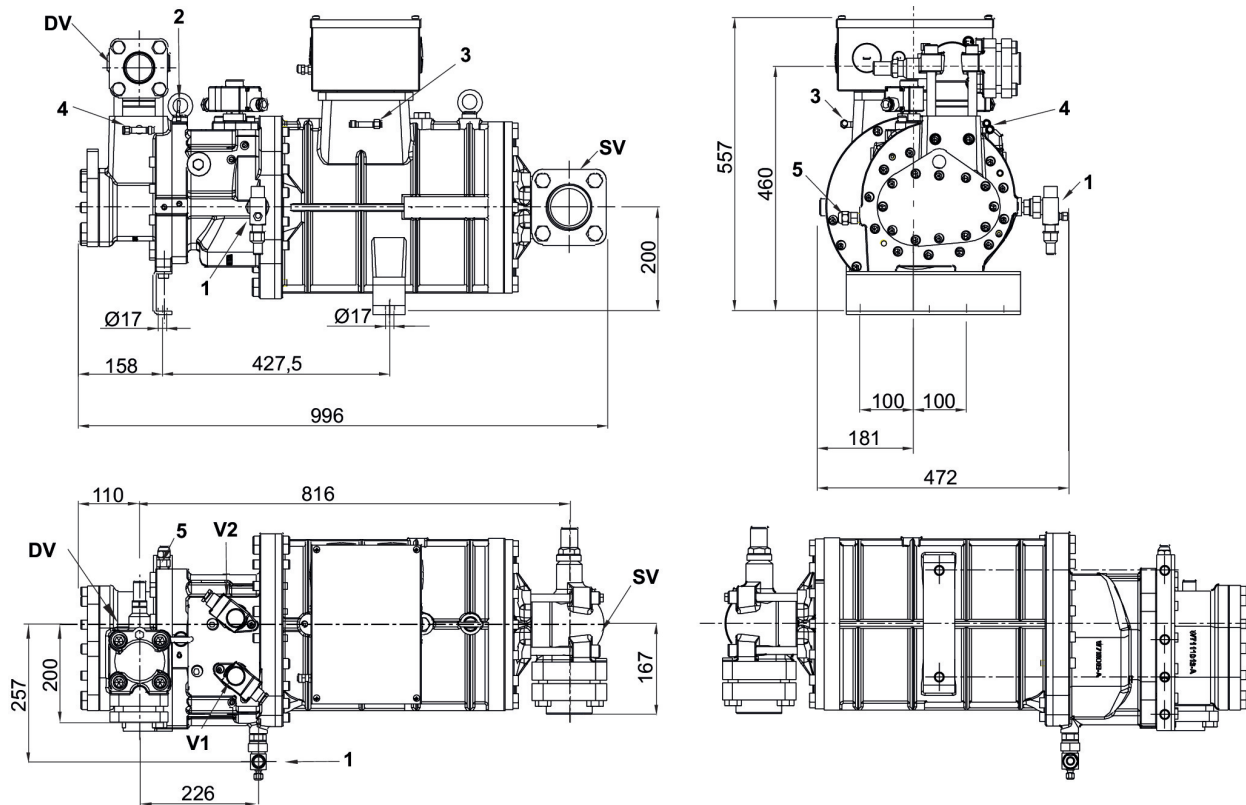
## Data sheets

Semi-hermetic compressors for remote oil separator > RTS and NR series for external oil separator / for HFC - HCFC - HFO

| Accessories:                      |  |
|-----------------------------------|--|
| DOL bridge bars                   | T00WK1202                                |
| Rubber vibration absorber kit     | Standard                                 |
| Economizer connection kit         | T00WK460                                 |
| Electronic filter clogging switch | T00WK151                                 |
| Optical filter clogging switch    | T00WK150                                 |
| Oil separator                     | See if You need and the selection on FSS |
| Nipples for oil cooler connection | T00WK1450                                |

## Data sheets

Semi-hermetic compressors for remote oil separator > RTS and NR series for external oil separator / for HFC - HCFC - HFO



### Dimensional drawing:

|                                       |                   |
|---------------------------------------|-------------------|
| SV Suction valve                      | 79.4mm -<br>3"1/8 |
| DV Discharge valve                    | 54mm - 2"1/8      |
| 1 Return oil valve                    | -                 |
| 2 Max. discharge temperature sensor   | -                 |
| 3 Low pressure connection             | -                 |
| 4 Low pressure connection             | -                 |
| 5 Connection for ECO/liquid injection | -                 |
| V1 Capacity control valve (step 1)    | -                 |
| V2 Capacity control valve (step 2)    | -                 |
| NP Name plate                         | -                 |