

Data sheets

Semi-hermetic compact compressors > CXH series - Vi 3.1 high compression ratio / for HFC - HCFC - HFO

| Technical data: | | |
|---|--------------------------|---------------------------|
| Rotors | # | 2 |
| Displacement @ 50 Hz | m ³ /h [50Hz] | 810 |
| Displacement @ 60 Hz | m ³ /h [60Hz] | 972 |
| Compressor version[1] | | 2 |
| Motor power (HP) | | 280 |
| Motor power (kW) | | 210 |
| Motor voltage at 50 Hz[2] | V/ph/Hz | 400 (+/-10%) V/3/50Hz SDS |
| Motor voltage at 60 Hz[2] | V/ph/Hz | 460 (+/-10%) V/3/60Hz SDS |
| Capacity control (CC) step | % | 100-75-50-25 |
| Capacity control (CC) stepless | % | 100-50 |
| MRA, maximum operating current at 400V/50Hz and 460V/60Hz | A | 455 |
| LRA, maximum starting current at 230V/50Hz and 280V/60Hz , SDS motor | A | 805 |
| LRA, maximum starting current at 400V/50Hz and 460V/60Hz, SDS motor with DOL connection | A | 2520 |
| Max power consumption | kW [@ 50Hz] | 350.4 |
| Frequency min | Hz | 30 |
| Frequency max[3] | Hz | 70 |
| Protection device | | INT69 FRYL Diagnose |
| Enclosure class | | IP65 |
| Maximum pressure HP | bar | 30 |
| Maximum pressure LP | bar | 20.5 |
| Oil type[4] | | POE 170 cSt |
| Oil charge | l | 26 |
| Oil filter | | Standard; replaceable |
| Crankcase heater | | Standard; integrate |
| Oil level sight glass | | 2 |
| Oil water cooling | | Standard |
| Integrated check valve | | Standard |
| Maximum oil temperature sensor | | Standard |
| Suction plug (SL) mm | mm | DN125 |
| Suction plug (SL) inch | inch | DN125 |
| Discharge valve (DV) mm | mm | 104 |
| Discharge valve DV inch | inch | 4" 1/8 |
| Net weight | kg | 1410 |
| Length | mm | 1845 |
| Max Width | mm | 693 |
| Maximum height | mm | 877 |
| Sound power level (5/50, R407A)[5] | dB(A) | 93.2 |
| Sound pressure level @ 1m (5/50, R407A)[5] | dB(A) | 85.2 |
| Compressor body material | | Cast Iron |

- [1] Motor version: 1, high and middle temperature, all refrigerants; 2, low and middle temperature, all refrigerants; 3 ECOinside, low temperature, only R134a and R1234ze
- [2] Other available on request
- [3] Maximum frequency depends from the working condition: see FSS3 (Frascold selection software)
- [4] Different kind of oil available on request
- [5] Sound pressure in free-field, semi-spherical emission, at 1 meter of distance, at 50Hz; power and pressure levels in different condition are available on FSS2

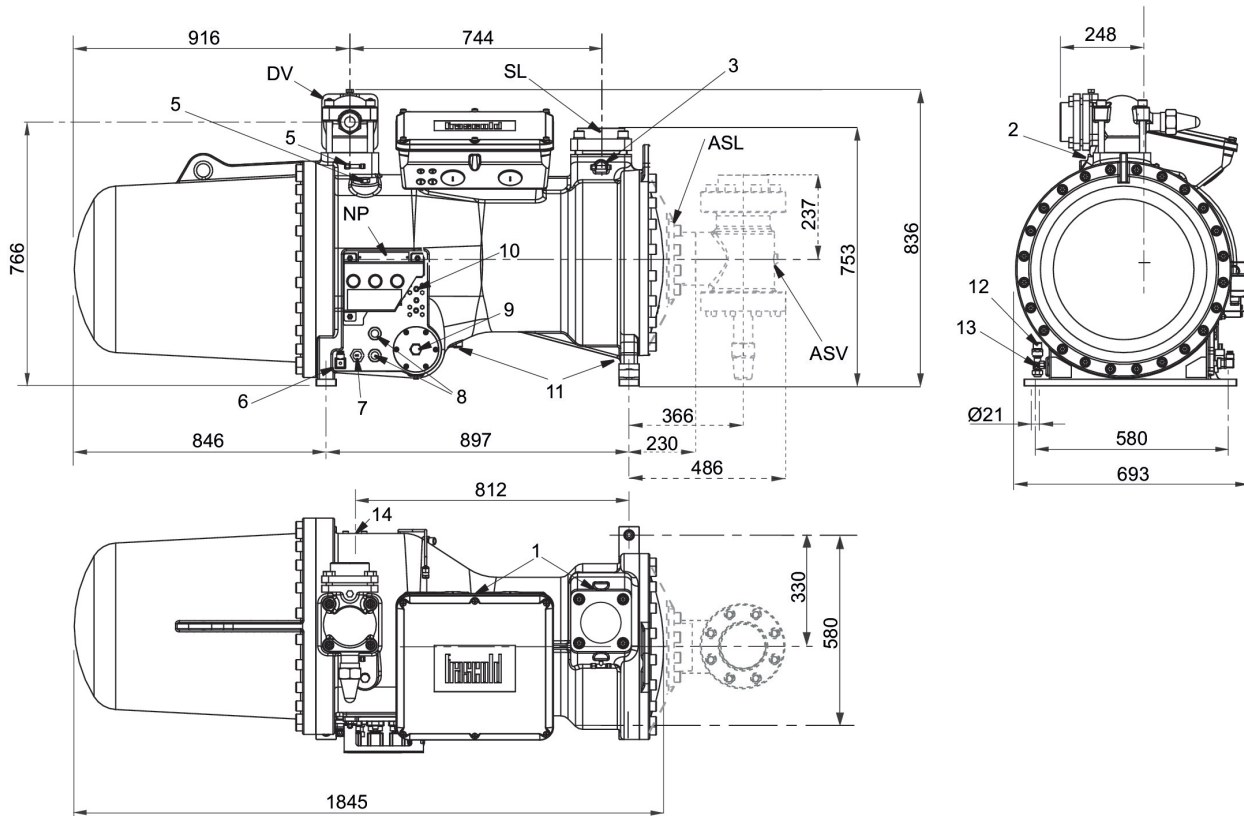
Data sheets

Semi-hermetic compact compressors > CXH series - Vi 3.1 high compression ratio / for HFC - HCFC - HFO

| Accessories: | |
|--|--|
| DOL bridge bars | T00WK1200 |
| Optoelectronic oil level switch | T00WP253 |
| Filter clogging switch | T00W3501122 |
| Motor cooling by means of suction gas | T00WK1400 |
| Valve+muffler for ECO/liquid injection | T00WK1520 |
| Rubber vibration absorber kit | T00SK205201 |
| Oil separator | See if You need and the selection on FSS |
| Nipples for oil cooler connection | T00WK1450 |

Data sheets

Semi-hermetic compact compressors > CXH series - Vi 3.1 high compression ratio / for HFC - HCFC - HFO



Dimensional drawing:

| | | |
|----|---------------------------------------|-------------------|
| 1 | Low pressure connection | 1/8" NPT |
| 2 | High pressure connection | 1/8" NPT |
| 3 | Low pressure connection | 1/4"SAE x 1/4"SAE |
| 4 | High pressure connection | 1/4"SAE x 1/4"SAE |
| 5 | Oil charge plug | 3/8"GAS |
| 6 | Crankcase heater | - |
| 7 | Oil level switch connection | 3/4"NPT |
| 8 | Oil level sight glass | - |
| 9 | Connection for filter clogging sensor | 1/2"GAS |
| 10 | Connection for oil cooler | 1/2"NPT |
| 11 | Connection for oil drain | 1/4"NPT |
| 12 | Oil drain valve | 1/8" NPT |
| 13 | Maximum oil temperature sensor | - |
| 14 | Connection for ECO/liquid injection | Ø1"1/8 |
| V1 | Capacity control valve (step 1) | - |

| | | |
|----|---------------------------------|---------------|
| V2 | Capacity control valve (step 2) | - |
| V3 | Capacity control valve (step 3) | - |
| SV | Suction valve | DN125 |
| SL | Suction plug | DN125 |
| DV | Discharge valve | 104mm - 4"1/8 |
| NP | Name plate | - |